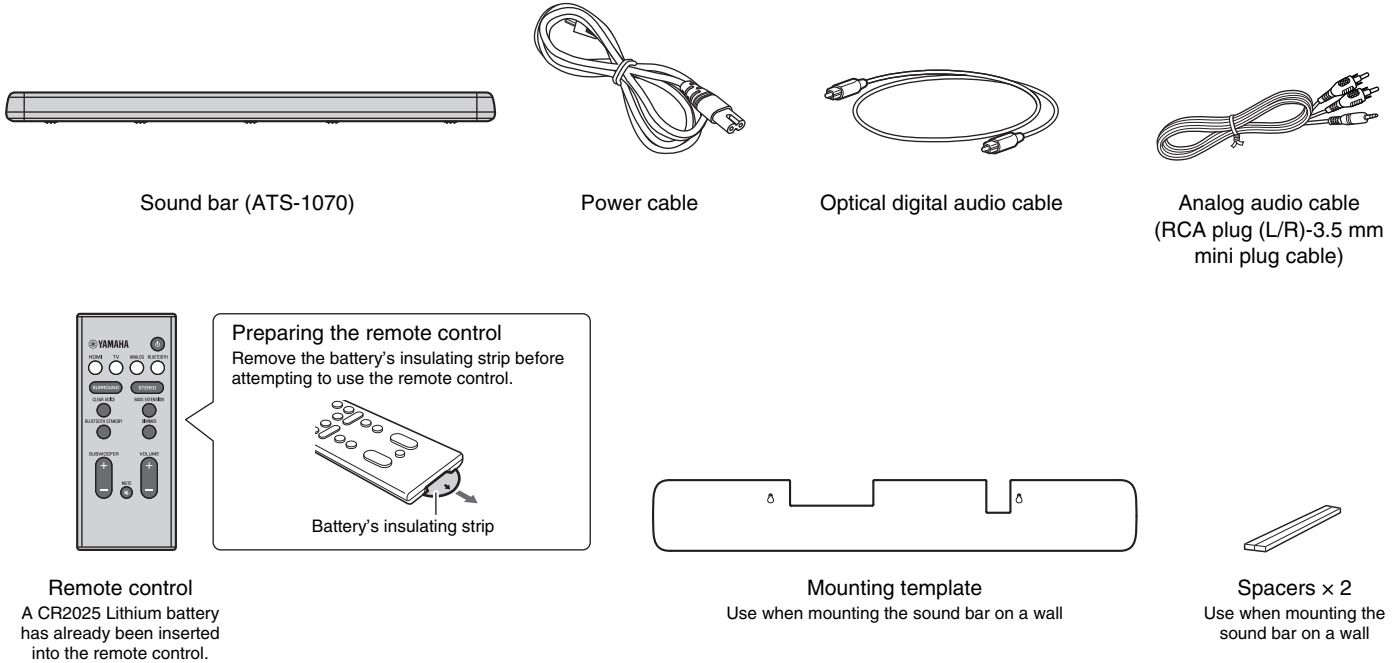
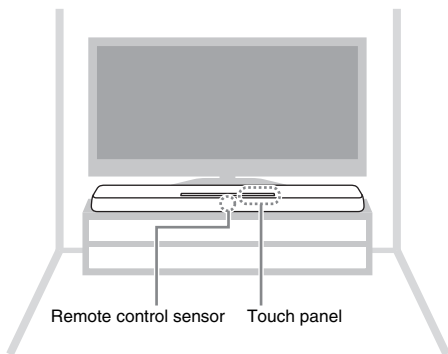


Supplied items

Before using the sound bar, make sure you have received all of the following items.



Installation



Install the sound bar on the TV stand, etc.
The sound bar can also be mounted on a wall, using the included mounting template and commercially available screws. Refer to the Owner's Manual for additional installation instructions.

NOTICE

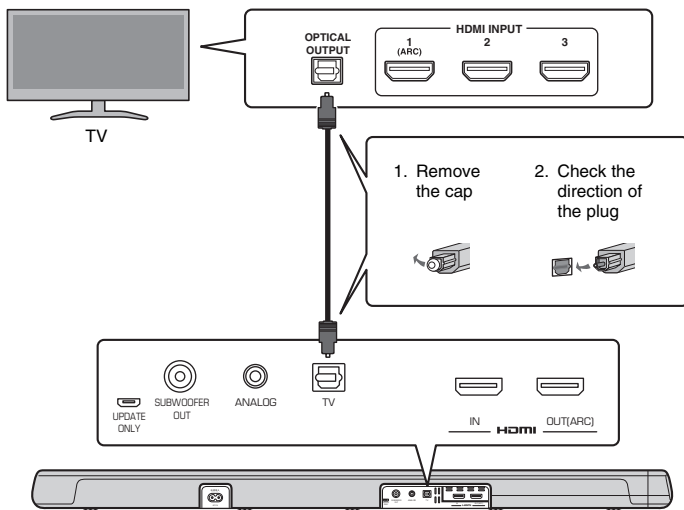
- Do not stack the sound bar and a BD player or other device directly on each other. Doing so may cause a malfunction due to vibrations.

Connection

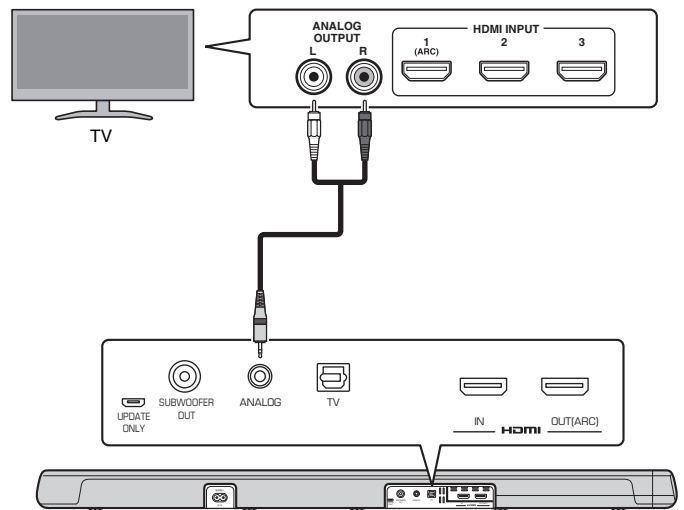
TV

When only a TV will be connected to the sound bar, connect the two using one of the two methods shown below. An optical digital audio cable and an analog audio cable (RCA plug (L/R)-3.5 mm mini plug cable) are supplied with the sound bar.

1st choice

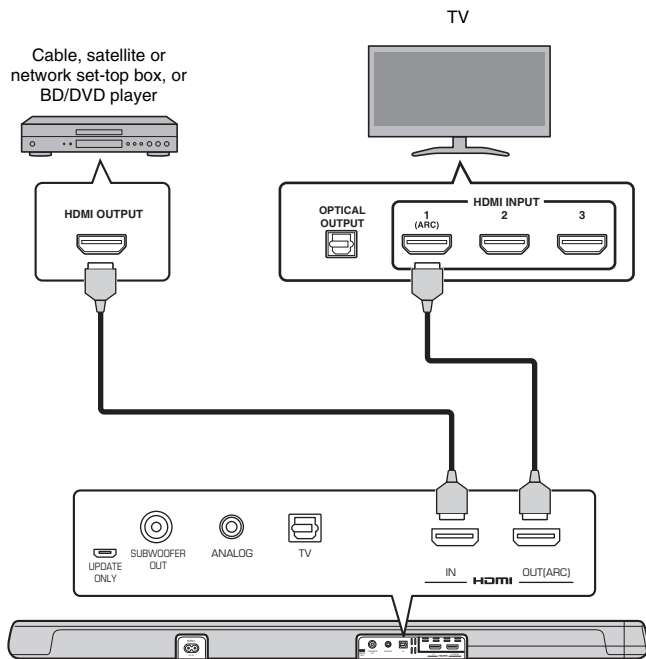


2nd choice



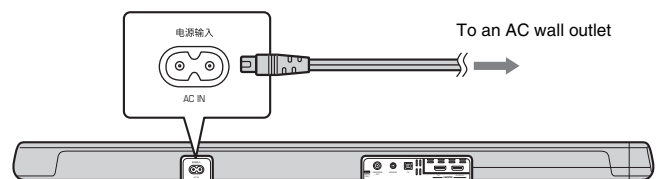
TV and a set-top box, or BD/DVD player

When a TV and a playback device will be connected to the sound bar, connect the three as shown below. HDMI cables are not supplied with the sound bar. Use third-party HDMI cables.



Power cable

After all connections are complete, connect the supplied power cable to the AC IN jack on the sound bar and plug the power cable into an AC wall outlet.



Watching TV

- 1 Press **⏻** (power) key on the remote control to turn on the sound bar.
- 2 Press the **TV** key on the remote control to select TV as the input source.

NOTE

- Press the **ANALOG** key on the remote control if the sound bar and TV are connected as shown with "2nd choice" above. Press the **HDMI** key on the remote control to watch a TV program received via set-top box.

- 3 Select the desired input source on the TV.
- 4 Press the **VOLUME (+/-)** keys on the remote control to adjust the volume.

For details, refer to the Owner's Manual.

... and more features!

- "HOME THEATER CONTROLLER" sound bar control app
- Bluetooth connection
- Clear voice

The sound bar is equipped with a number of other functions not described in the Quick Start Guide. See the Owner's Manual for details.

When a TV that supports Audio Return Channel (ARC) will be connected, the sound bar can only play audio from the TV when it is connected as shown above.

What is Audio Return Channel (ARC)?

In order for the sound bar to play audio from a TV, the TV must usually be connected to the sound bar via an audio cable as well as an HDMI cable. If, however, the TV supports Audio Return Channel (ARC), TV audio signals can be input to the sound bar via the HDMI cable that outputs video signals from the sound bar to the TV.