



PRECAUTIONS

PLEASE READ CAREFULLY BEFORE PROCEEDING

Please keep this manual in a safe and handy place for future reference.



WARNING

Always follow the basic precautions listed below to avoid the possibility of serious injury or even death from electrical shock, short-circuiting, damages, fire or other hazards. These precautions include, but are not limited to, the following:

Power supply/Power cord

- Do not place the power cord near heat sources such as heaters or radiators. Also, do not excessively bend or otherwise damage the cord, or place heavy objects on it.
- Only use the voltage specified as correct for the speaker. The required voltage is printed on the name plate of the speaker.
- Use only the supplied power cord/plug for the speaker.
- Check the electric plug periodically and remove any dirt or dust which may have accumulated on it.

Do not open

- This speaker contains no user-serviceable parts. Do not open the speaker or attempt to disassemble or modify the internal components in any way. If it should appear to be malfunctioning, discontinue use immediately and have it inspected by qualified Yamaha service personnel.

Water warning

- Do not expose the speaker to rain, use it near water or in damp or wet conditions, or place on it any containers (such as vases, bottles or glasses) containing liquids which might spill into any openings. If any liquid such as water seeps into the speaker, turn off the power immediately and unplug the power cord from the AC outlet. Then have the speaker inspected by qualified Yamaha service personnel.
- Never insert or remove an electric plug with wet hands.

Fire warning

- Do not put burning items, such as candles, on the unit. A burning item may fall over and cause a fire.

If you notice any abnormality

- When one of the following problems occur, immediately turn off the power switch and disconnect the electric plug from the outlet. Then have the device inspected by Yamaha service personnel.
 - The power cord or plug becomes frayed or damaged.
 - It emits unusual smells or smoke.
 - Some object has been dropped into the speaker.
 - There is a sudden loss of sound during use of the speaker.



CAUTION

Always follow the basic precautions listed below to avoid the possibility of physical injury to you or others, or damage to the speaker or other property. These precautions include, but are not limited to, the following:

Power supply/Power cord

- Do not connect the speaker to an electrical outlet using a multiple-connector. Doing so can result in lower sound quality, or possibly cause overheating in the outlet.
- When removing the electric plug from the speaker or an outlet, always hold the plug itself and not the cord. Pulling by the cord can damage it.
- Remove the electric plug from the outlet when the speaker is not to be used for extended periods of time, or during electrical storms.

Location

- Do not place the speaker in an unstable position where it might accidentally fall over.
- Before moving the speaker, remove all connected cables, to prevent damage to the cables or injury to anyone who might trip over them.
- When setting up the product, make sure that the AC outlet you are using is easily accessible. If some trouble or malfunction occurs, immediately turn off the power switch and disconnect the plug from the outlet. Even when the power switch is turned off, electricity is still flowing to the product at the minimum level. When you are not using the product for a long time, make sure to unplug the power cord from the wall AC outlet.
- Use only the stand/bracket specified for the speaker. When attaching it, use the provided screws only. Failure to do so could cause damage to the internal components or result in the speaker falling over.

Connections

- Before connecting the speaker to other electronic components, turn off the power for all components. Before turning the power on or off for all components, set all volume levels to minimum. Failing to do so may result in hearing loss, electric shock, or device damage.
- Be sure to set the volumes of all components at their minimum levels and gradually raise the volume controls while playing the instrument to set the desired listening level. Failing to do so may result in hearing loss or device damage.

Handling caution

- Do not insert a finger or hand in any gaps on the speaker.
- Never insert or drop paper, metallic, or other objects into the gaps on the panel. This could cause physical injury to you or others, damage to the speaker or other property, or operational failure.
- Do not rest your weight on, or place heavy objects on the speaker, and do not use excessive force on the buttons, switches or connectors.

Yamaha cannot be held responsible for damage caused by improper use or modifications to the speaker, or data that is lost or destroyed.

Always turn the power off when the speaker is not in use. Even when the Power On/Off switch is in standby status (power indicator is off), electricity is still flowing to the speaker at the minimum level.

When you are not using the speaker for a long time, make sure you unplug the power cord from the wall AC outlet.

The model number, serial number, power requirements, etc., may be found on or near the name plate, which is at the rear of the unit. You should note this serial number in the space provided below and retain this manual as a permanent record of your purchase to aid identification in the event of theft.

Model No. _____

Serial No. _____

(rear_en_01)

Introduction

The ELCU-S02 is a powered speaker system specially designed for use with the ELC-02 Electone. For information and instructions on installing and using the speaker, refer to the “ELC-02 Owner’s Manual.”

NOTICE

To avoid the possibility of malfunction/ damage to the product, or damage to other property, follow the notices below.

■ Handling

- Do not use the speaker in the vicinity of a TV, radio, stereo equipment, mobile phone, or other electric devices. Otherwise, the speaker, TV, or radio may generate noise. When you use the speaker along with an application on your iPad, iPhone or iPod touch, we recommend that you set “Airplane Mode” to “ON” on that device in order to avoid noise caused by communication.
- Do not expose the speaker to excessive dust or vibrations, or extreme cold or heat (such as in direct sunlight, near a heater, or in a car during the day) to prevent the possibility of panel disfiguration, damage to the internal components or unstable operation. (Verified operating temperature range: 5° – 40°C, or 41° – 104°F.)
- Do not place vinyl, plastic or rubber objects on the speaker, since this might discolor the panel or keyboard.

■ Maintenance

- When cleaning the speaker, use a soft and dry/slightly damp cloth. Do not use paint thinners, solvents, alcohol, cleaning fluids, or chemical-impregnated wiping cloths.
- During extreme changes in temperature or humidity, condensation may occur and water may collect on the surface of the speaker. If water is left, the wooden parts may absorb the water and be damaged. Make sure to wipe any water off immediately with a soft cloth.

Information

■ About this manual

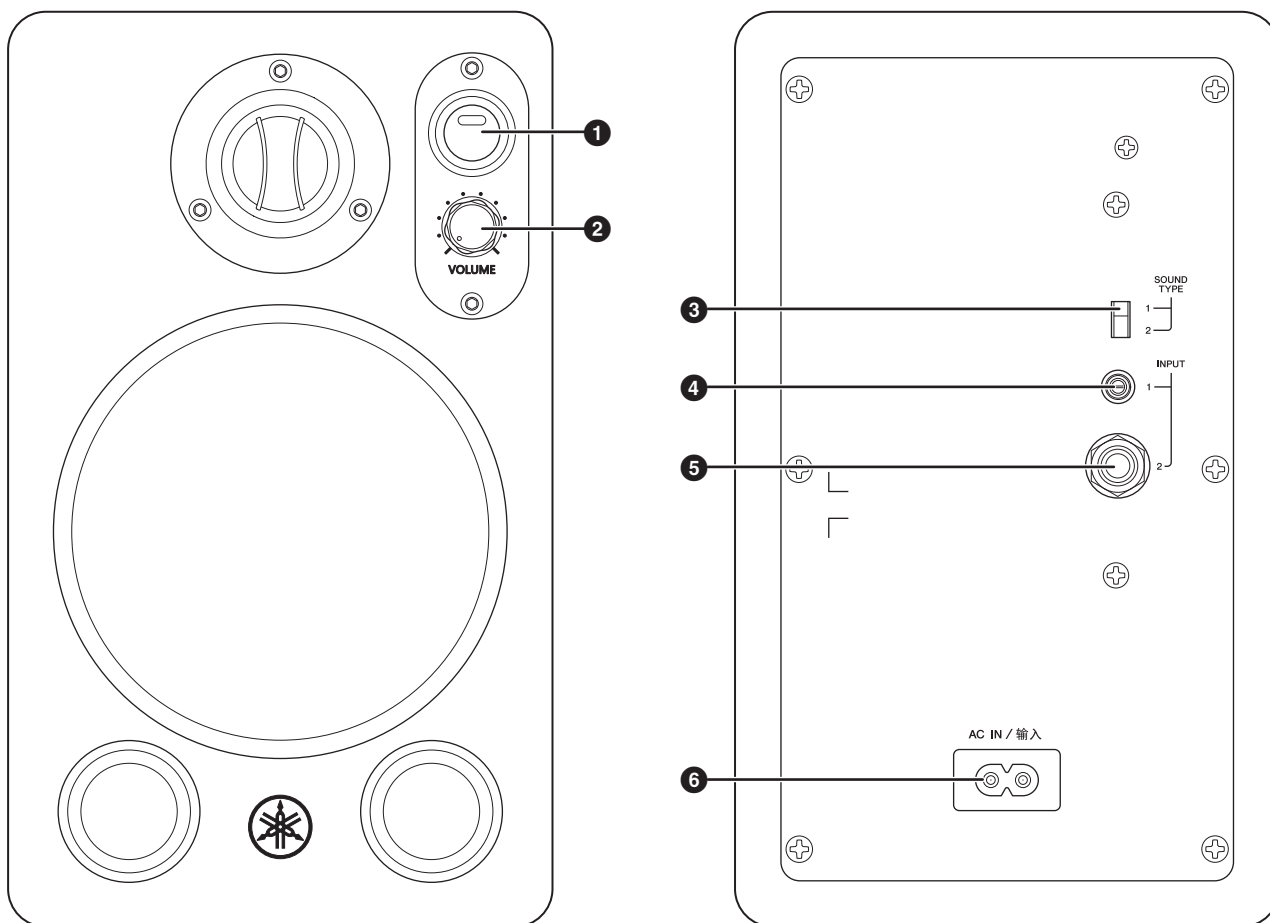
- The illustrations as shown in this manual are for instructional purposes only, and may appear somewhat different from those on your speaker.
- The company names and product names in this manual are the trademarks or registered trademarks of their respective companies.

Specifications

Speaker unit	[cone + dome (96 mm, 19 mm)] × 2
Output power	(20W + 15W) × 2
Connectivity	INPUT 1 (RCA), INPUT 2 (PHONE)
Effects	SOUND TYPE1/2
Dimensions (W x D x H)	144 mm × 191 mm × 242 mm
Weight	3.3 kg × 2

* The contents of this manual apply to the latest specifications as of the publishing date. To obtain the latest manual, access the Yamaha website then download the manual file. Since specifications, equipment or separately sold accessories may not be the same in every locale, please check with your Yamaha dealer.

Panel Controls and Terminals



1 Power On/Off switch

For turning the power on or off. The power indicator is lit in green when the power is on.

2 [VOLUME] knob

For adjusting the volume of the entire sound.

3 [SOUND TYPE] switch

Type 1 is optimum for use when the speaker is installed on the ELC-02 stand. Type 2 is optimum when the speaker is installed at roughly ear level.

4 [INPUT 1] jack

For connecting to an RCA pin plug. (Not used for the ELC-02.)

5 [INPUT 2] jack

For connecting the ELC-02 to the speaker, using the supplied audio cable.

6 [AC IN] jack

For connecting the supplied speaker power cord.

NOTE

For instructions on installing or connecting the speaker, refer to the ELC-02 Owner's Manual.