



U-BRACKET

UB-DXRDHR10

EN	Owner's Manual
DE	Benutzerhandbuch
FR	Mode d'emploi
ES	Manual de instrucciones
PT	Manual do Proprietário
IT	Manuale di istruzioni
RU	Руководство пользователя
ZH	使用说明书
KO	사용설명서
JA	取扱説明書

English

Deutsch

Français

Español

Português

Italiano

Русский

中文

한국어

日本語

SPEAKER BRACKET

Introduction

Thank you for purchasing the Yamaha UB-DXRDR10 U-BRACKET. This product is a bracket designed for use in installation of the Yamaha DXR10, DHR10 and CHR10 speakers. This manual explains how to attach the bracket to a speaker when installation personnel use this bracket to install the speaker to a wall or ceiling. Please read this manual thoroughly before you begin using this product in order to use it properly. After reading this manual, please keep it available for future reference.

- The example illustrations used in this manual are taken from the DXR10, if not otherwise specified.

Contents

Introduction	2	Installation Instructions	4
PRECAUTIONS	2	Specifications	46
Package Contents	3	Optional Brackets (sold separately)	47
Check Before Installation	3	Dimensions	48

PRECAUTIONS

PA_en_12 1/3

PLEASE READ CAREFULLY BEFORE PROCEEDING

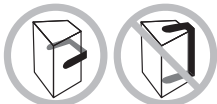
Please keep this manual in a safe place for future reference.

WARNING

Always follow the basic precautions listed below to avoid the possibility of serious injury or even death from electrical shock, short-circuiting, damages, fire or other hazards. These precautions include, but are not limited to, the following:

Setting

- When mounting on a wall, do not use the bracket vertically or at an angle to the ground. Otherwise, the speaker weight may cause the bracket to bend.
- Do not attach this product to any speaker not specified as compatible. Doing so may result in damage or injury.



Do not modify

- Do not attempt to modify the product. Doing so can result in damage or injury.

CAUTION

Always follow the basic precautions listed below to avoid the possibility of physical injury to you or others. These precautions include, but are not limited to, the following:

Setting

- Keep this product out of reach of children. This product is not suitable for use in locations where children are likely to be present.
- Always consult qualified Yamaha service personnel if the product installation requires construction work, and make sure to observe the following precautions.
 - Choose mounting hardware and an installation location that can support the weight of the product.
 - Avoid locations that are exposed to constant vibration.
 - Use the required tools to install the product.
 - Use bolts and nuts as well as washers for installation and tighten them firmly so that the speaker is secure and does not move.
 - Always loosen the corresponding screw before adjusting the angle or direction of the speaker. Never force this adjustment with the screw still tightened.
 - Inspect the product periodically.
Improper installation might cause accidents, injuries, damage or malfunction of this product.

■ **About this manual**

- The illustrations as shown in this manual are for instructional purposes only.
- The company names and product names in this manual are the trademarks or registered trademarks of their respective companies.

■ **About disposal**

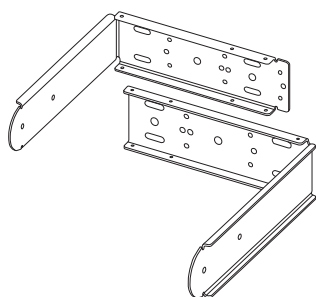
- This product contains recyclable components. When disposing of this product, please contact the appropriate local authorities.

Package Contents

● Owner's Manual (this book)

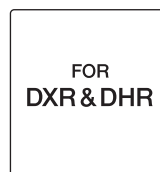


● Brackets x 2

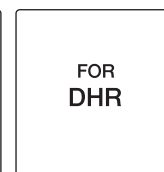
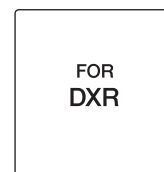


● Parts bags x 3

Use two of these.





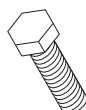
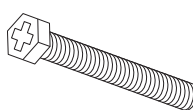
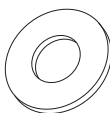
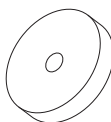

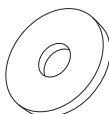
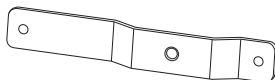
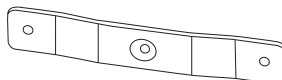


Required.



Select one with the name of the speaker you are using.
For the CHR10, select "FOR DHR."

■ Parts bag contents

FOR DXR & DHR	FOR DXR (DXR10)	FOR DHR (DHR10, CHR10)
M5x10 screws with flat washer and spring washer x 4 	M5x16 screws with flat washer and spring washer x 2 	M8x35 hexagon bolts with flat washer and spring washer x 4 
M8 spring washers x 2 	M8x25 hexagon bolts x 2 	M8x55 hexagon bolts x 2 
M8 flat washers x 2 	Rubber spacers (Ø50 mm, 10mm thickness) x 2 	Rubber spacers (Ø50 mm, 18 mm thickness) x 2 
Spacers, 3.2 mm thickness x 2 	Bottom plate, 16 mm height x 1 	Bottom plate, 7 mm height x 1 

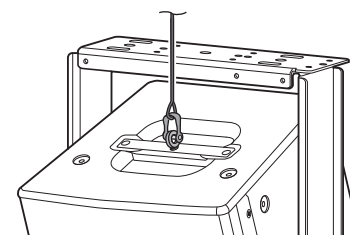
Check Before Installation

Fittings, bolts, and other items for installing the bracket to a wall or ceiling are not included. If you are not sure what fittings to use, consult a specialist.



CAUTION

- Make sure that the installation surface is strong enough to support the total weight of the speaker and the U-bracket. If you are not sure about the installation surface, consult a specialist. Avoid attaching the U-bracket to drywall such as acoustic tiles.
- Make sure to take precautionary measures using wires to prevent the speaker from falling down in the event of an installation failure. Attach commercially-available M8 eye bolts to the screw holes for the U-bracket, and attach M8 for DXR10 or M10 for DHR10/CHR10 to the screw holes (rigging points) located at the top (two locations) and on the lower rear (one location) of those units. For the DHR10 and CHR10, use eye bolts 30–50 mm in length.
- When installing the safety wire to the wall, install it higher than the wire's attachment point on the speaker, with as little slack as possible. If the wire is too long, and the speaker happens to fall, the wire may snap as a result of too much strain.



Yamaha cannot be held responsible for damage or injury caused by insufficient strength of the support structure or improper installation.

Installation Instructions



CAUTION

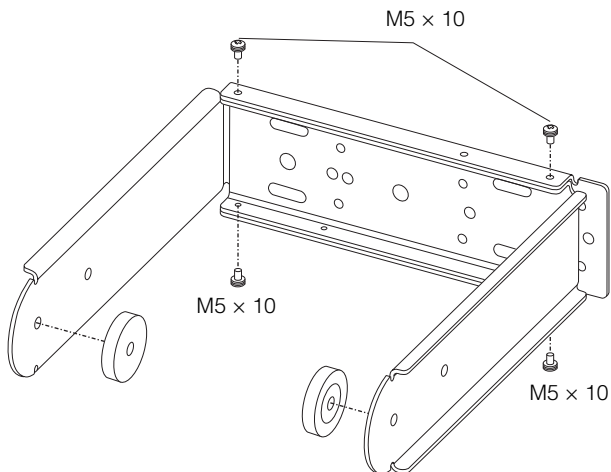
Make sure that you do not pinch your fingers between the U-bracket and speaker.

NOTE

(DHR10, CHR10 only) Carefully store the screws removed from the speaker so that they are not lost. Using the speaker with the screws removed will negatively affect sound quality due to air leakage because the screw holes penetrate the inside of the speaker cabinet. Re-install the screws to the original screw holes after removing the U-bracket.

Vertical installation

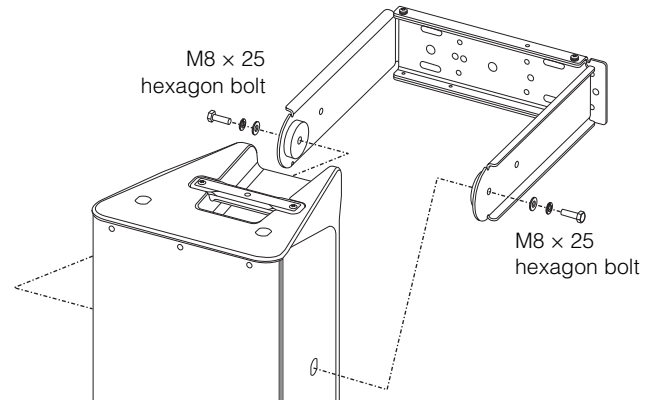
1. Assemble two L-shaped brackets into a U-shape using the included M5 × 10 screws as shown in the figure below. Peel off the sheet from each rubber spacer, and then attach the spacers to the inside of each bracket arm by aligning the holes so that the hexagon bolts can be inserted.



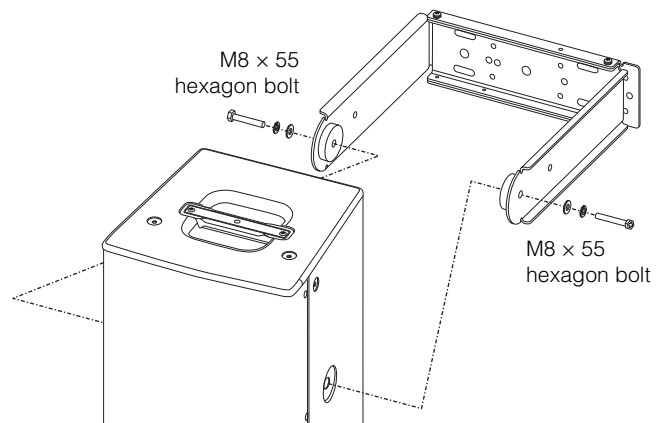
2. Make sure that the width of the U-bracket matches the speaker width.
3. Affix the U-bracket on the wall or ceiling using appropriate metal brackets and bolts. These metal brackets or bolts are not included in the package. If you are not sure what to use to affix the U-bracket, consult a specialist.

4. Use the included hexagon bolts (M8×25 for DXR10, M8×55 for DHR10 and CHR10), M8 spring washers, and M8 flat washers to attach the speaker to the U-bracket. The mounting position of the speaker is sealed before shipment, so remove the seal for DXR10, and remove the M8 screws (2 total) for DHR10 and CHR10 with a 5 mm hexagon wrench in advance.

DXR10



DHR10, CHR10

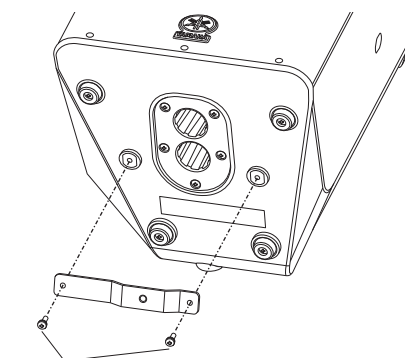


5. Adjust the speaker angle, then tighten the bolts until the speaker is securely affixed. The recommended torque is 12.4 Nm.

Horizontal Installation

1. Attach the bottom plate to the bottom of the speaker using the included M5 × 16 screws for the DXR10, and use the M8 × 35 hexagon bolts for the DHR10 and CHR10, as shown in the figure below. The recommended torque is 3 Nm for DXR10, and 12.4 Nm for DHR10 and CHR10.

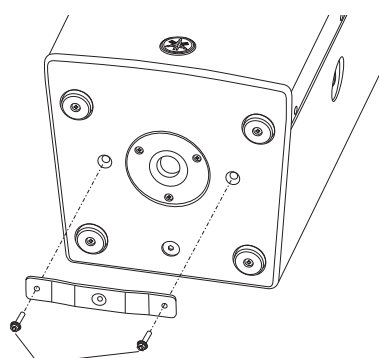
DXR10



M5 × 16 screw

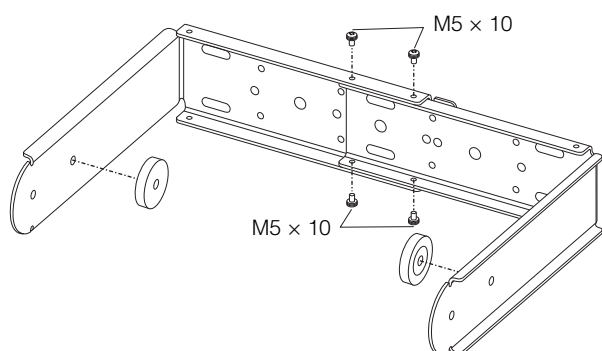
DHR10, CHR10

The mounting position of the plate is sealed with screws, so remove them (two total) with a 5 mm hexagon wrench in advance.

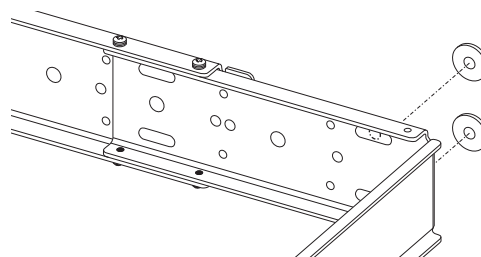


M8 × 35 hexagon bolt

2. Assemble two L-shaped brackets into a U-shape using the included M5 × 10 screws as shown in the figure below. Peel off the sheet from each rubber spacer, and then attach the spacers to the inside of each bracket arm by aligning the holes so that the hexagon bolts can be inserted.

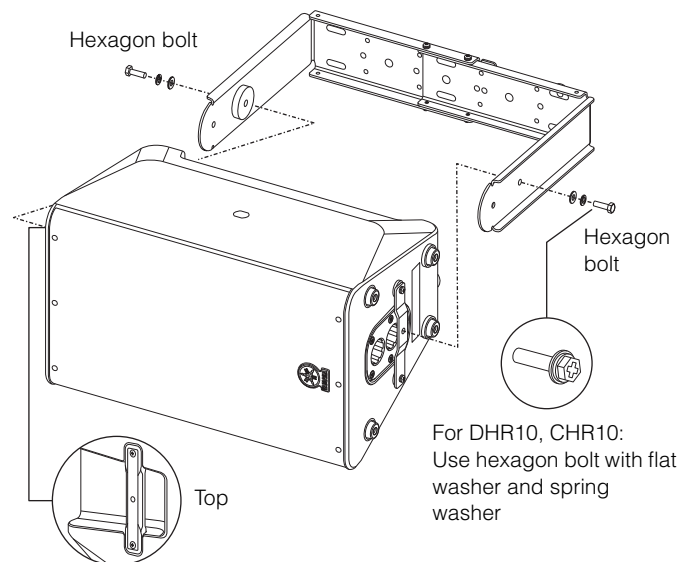


3. Make sure that the width of the U-bracket matches the speaker width.
4. Affix the U-bracket on the wall or ceiling using appropriate metal brackets and bolts. There will be a slight gap between the U-bracket and the wall surface. Insert spacers into the gap and affix them with bolts. These metal brackets or bolts are not included in the package. If you are not sure what to use to affix the U-bracket, consult a specialist.



5. For the DXR10, use the included hexagon bolts, M8 spring washers, and M8 flat washers to attach the speaker to the U-bracket. For the DHR10 and CHR10, use the included M8 × 35 hexagon bolts with spring washer and flat washer to attach the speaker to the U-bracket.

Use the bolt hole in the center of the handle on the top of the speaker.



6. Adjust the speaker angle, then tighten the bolts until the speaker is securely affixed. The recommended torque is 12.4 Nm.

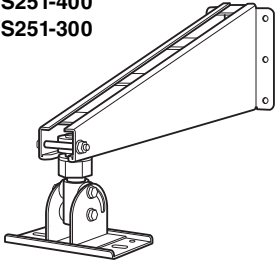
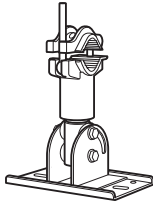
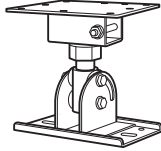
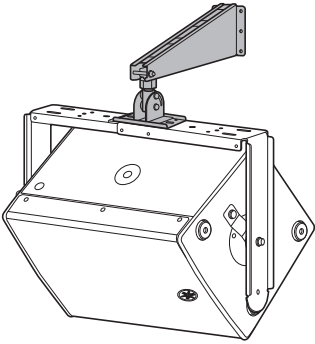
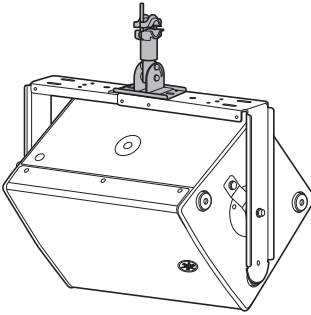
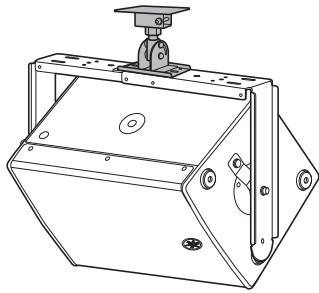
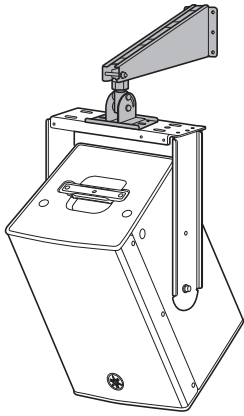
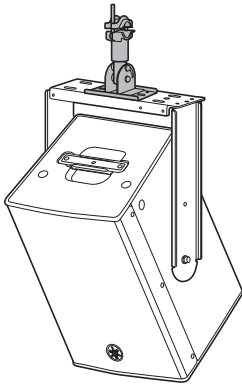
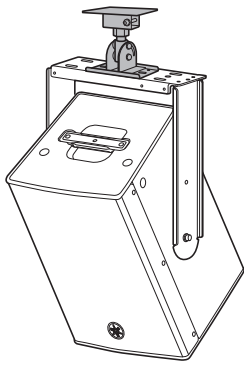
Specifications

Material	Steel
Net Weight	4.2 kg

- * The contents of this manual apply to the latest specifications as of the publishing date. To obtain the latest manual, access the Yamaha website then download the manual file.
- * Der Inhalt dieser Bedienungsanleitung gilt für die neuesten technischen Daten zum Zeitpunkt der Veröffentlichung. Um die neueste Version der Anleitung zu erhalten, rufen Sie die Website von Yamaha auf und laden Sie dann die Datei mit der Bedienungsanleitung herunter.
- * Le contenu de ce mode d'emploi s'applique aux dernières caractéristiques techniques connues à la date de publication du manuel. Pour obtenir la version la plus récente du manuel, accédez au site Web de Yamaha puis téléchargez le fichier du manuel concerné.
- * El contenido de este manual se aplica a las últimas especificaciones según la fecha de publicación. Para obtener el último manual, acceda al sitio web de Yamaha y descargue el archivo del manual.
- * O conteúdo deste manual se aplica às especificações mais recentes a partir da data de publicação. Para obter o manual mais recente, acesse o site da Yamaha e faça o download do arquivo do manual.
- * Il contenuto del presente manuale si applica alle ultime specifiche tecniche a partire dalla data di pubblicazione. Per ottenere la versione più recente del manuale, accedere al sito Web Yamaha e scaricare il file corrispondente.
- * В содержании данного руководства приведены последние на момент публикации технические характеристики. Для получения последней версии руководства посетите веб-сайт корпорации Yamaha и загрузите файл с руководством.
- * 본 설명서의 내용은 발행일 현재 최신 사양을 기준으로 하고 있습니다. 최신 설명서를 가져오려면 Yamaha 웹사이트에 접속후 해당 설명서 파일을 다운로드 받으십시오.
- * 本書は、発行時点での最新仕様で説明しています。最新版は、ヤマハウェブサイトからダウンロードできます。

Optional Brackets (sold separately)

可选支架 (另售)

	Wall Bracket	Baton Bracket	Ceiling Bracket
	<p>BWS251-400 BWS251-300</p> 	<p>BBS251</p> 	<p>BCS251</p> 
Examples			
			

* These illustrations are of the DHR10.

* 这些插图来自DHR10。

English

Deutsch

Français

Español

Português

Italiano

Русский

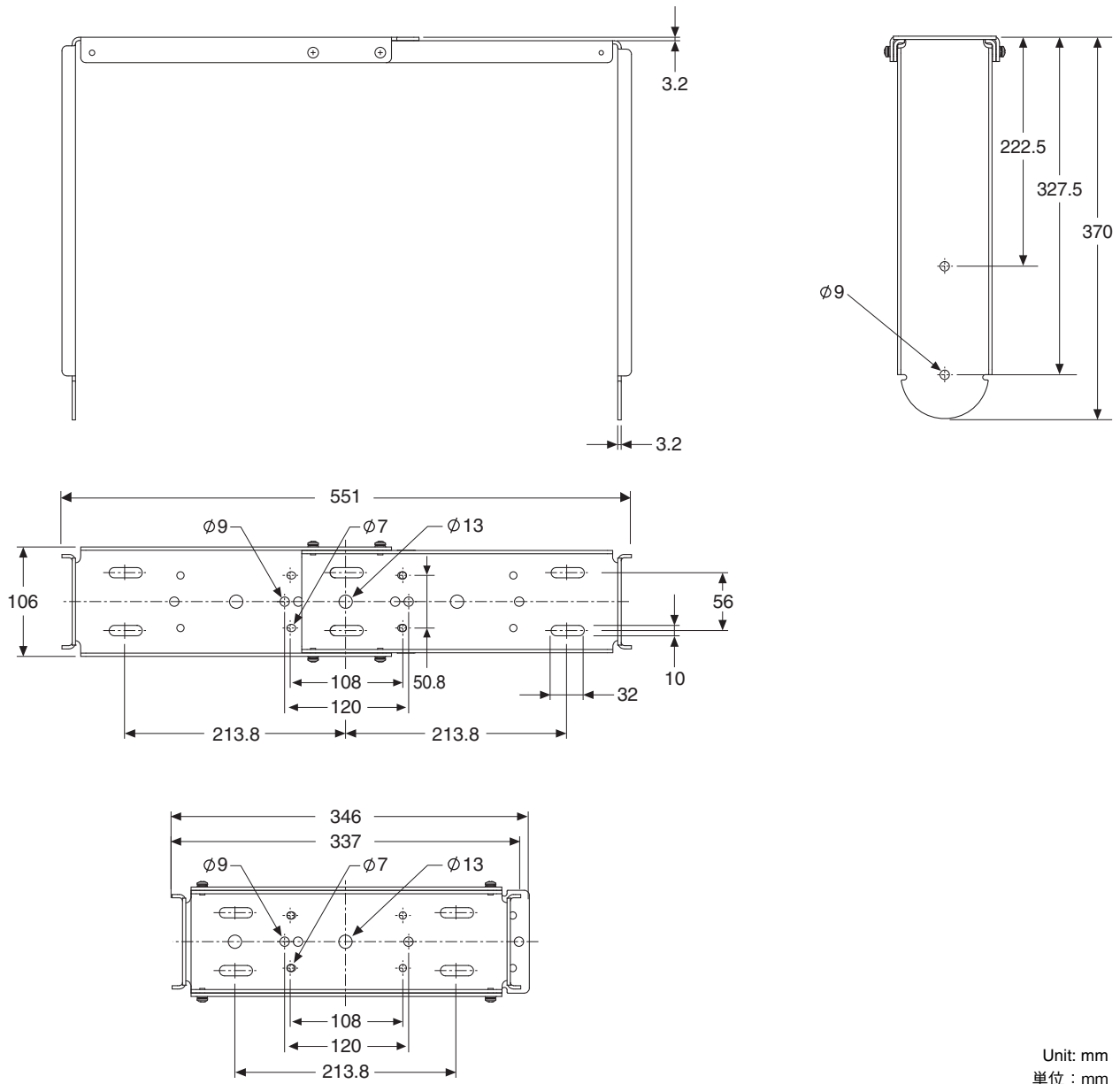
中文

한국어

日本語

Dimensions

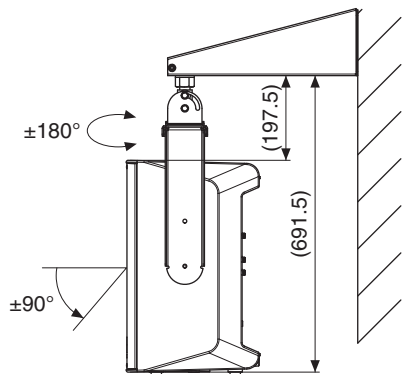
外形尺寸



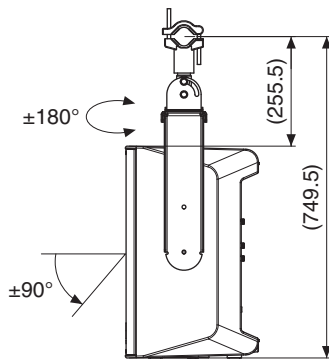
Unit: mm
単位: mm

■ DXR10

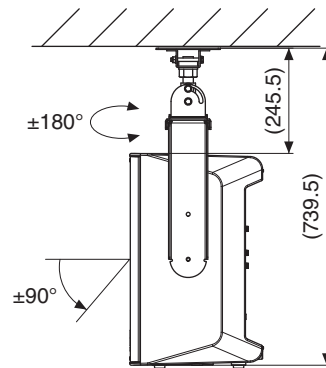
BWS251-400
BWS251-300



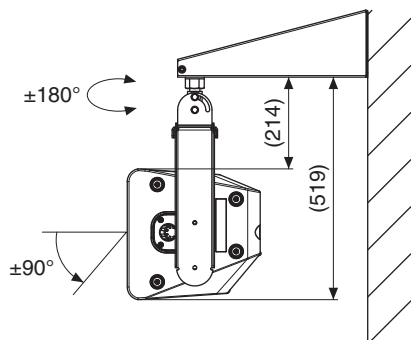
BBS251



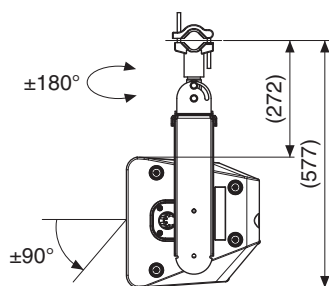
BCS251



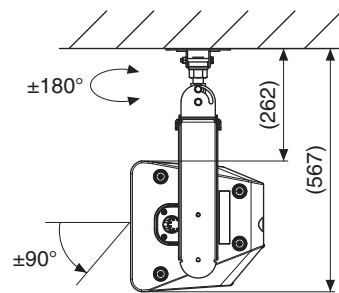
BWS251-400
BWS251-300



BBS251



BCS251



English

Deutsch

Français

Español

Português

Italiano

Русский

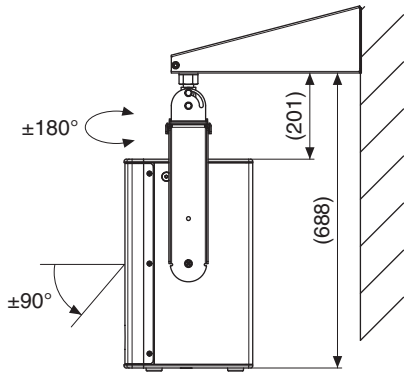
中文

한국어

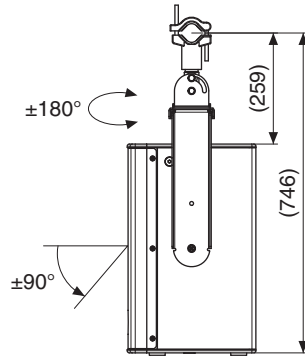
日本語

■ DHR10, CHR10

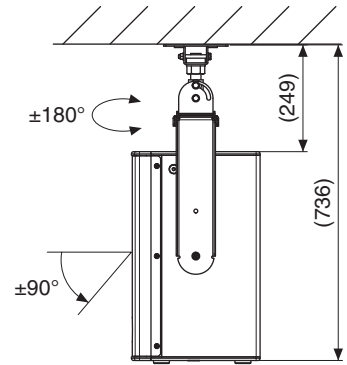
BWS251-400
BWS251-300



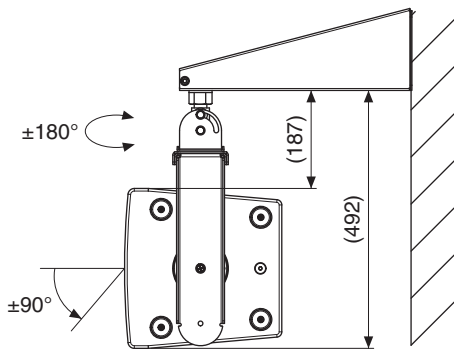
BBS251



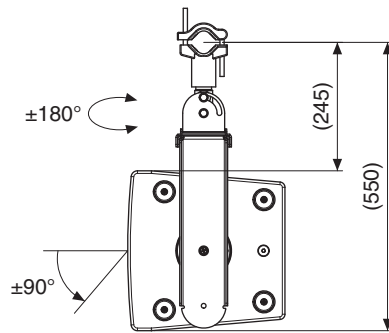
BCS251



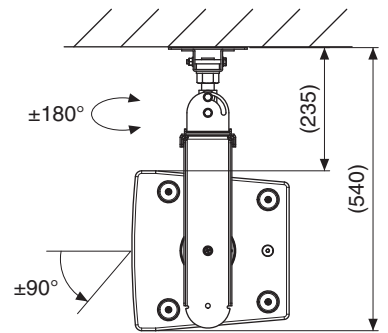
BWS251-400
BWS251-300



BBS251



BCS251



ADDRESS LIST

NORTH AMERICA

CANADA

Yamaha Canada Music Ltd.
135 Milner Avenue, Toronto, Ontario,
M1S 3R1, Canada
Tel: +1-416-298-1311

U.S.A.

Yamaha Corporation of America
6600 Orangethorpe Avenue, Buena Park, CA
90620, U.S.A.
Tel: +1-714-522-9011

CENTRAL & SOUTH AMERICA

MEXICO

Yamaha de México, S.A. de C.V.
Av. Insurgentes Sur 1647 Piso 9, Col. San José
Insurgentes, Delegación Benito Juárez, México,
D.F., C.P. 03900, México
Tel: +52-55-5804-0600

BRAZIL

Yamaha Musical do Brasil Ltda.
Praça Professor José Lannes, 40, Cjs 21 e 22,
Brooklin Paulista Novo CEP 04571-100 – São Paulo
– SP, Brazil
Tel: +55-11-3704-1377

ARGENTINA

**Yamaha Music Latin America, S.A.,
Sucursal Argentina**
Olga Cossetini 1553, Piso 4 Norte,
Madero Este-C1107CEK,
Buenos Aires, Argentina
Tel: +54-11-4119-7000

PANAMA AND OTHER LATIN

AMERICAN/CARIBBEAN REGIONS

Yamaha Music Latin America, S.A.
Edif. Torre Banco General, Piso 7, Urbanización
Marbella, Calle 47 y Aquilino de la Guardia,
Ciudad de Panamá, República de Panamá
Tel: +507-269-5311

EUROPE

THE UNITED KINGDOM/IRELAND

Yamaha Music Europe GmbH (UK)
Sherbourne Drive, Tilbrook, Milton Keynes,
MK7 8BL, U.K.
Tel: +44-1908-366700

GERMANY

Yamaha Music Europe GmbH
Siemensstrasse 22-34, 25462 Rellingen, Germany
Tel: +49-4101-303-0

SWITZERLAND/LIECHTENSTEIN

**Yamaha Music Europe GmbH, Branch
Switzerland in Thalwil**
Seestrasse 18a, 8800 Thalwil, Switzerland
Tel: +41-44-3878080

AUSTRIA/BULGARIA/

CZECH REPUBLIC/HUNGARY/

ROMANIA/SLOVAKIA/SLOVENIA

**Yamaha Music Europe GmbH
Branch Austria**
Schleiergasse 20, 1100 Wien, Austria
Tel: +43-1-60203900

POLAND

**Yamaha Music Europe GmbH
Sp.z o.o. Oddział w Polsce**
ul. Wielicka 52, 02-657 Warszawa, Poland
Tel: +48-22-880-08-88

MALTA

Olimpus Music Ltd.
Valletta Road, Mosta MST9010, Malta
Tel: +356-2133-2093

NETHERLANDS/BELGIUM/ LUXEMBOURG

Yamaha Music Europe Branch Benelux
Clarissenhof 5b, 4133 AB Vianen, The
Netherlands
Tel: +31-347-358040

FRANCE

Yamaha Music Europe
7 rue Ambroise Croizat, Zone d'activités de
Pariest,
77183 Croissy-Beaubourg, France
Tel: +33-1-6461-4000

ITALY

Yamaha Music Europe GmbH, Branch Italy
Via Tinelli N.67/69 20855 Gerno di Lesmo (MB),
Italy
Tel: +39-039-9065-1

SPAIN/PORTUGAL

**Yamaha Music Europe GmbH Ibérica, Sucursal
en España**
Ctra. de la Coruña km. 17,200, 28231
Las Rozas de Madrid, Spain
Tel: +34-91-639-88-88

GREECE

Philippos Nakas S.A. The Music House
19th km. Leof. Lavriou 190 02 Peania – Attiki,
Greece
Tel: +30-210-6686168

SWEDEN/FINLAND/ICELAND

**Yamaha Music Europe GmbH Germany filial
Scandinavia**
JA Wettergrensgata 1, 400 43 Göteborg, Sweden
Tel: +46-31-89-34-00

DENMARK

**Yamaha Music Denmark,
Fillial of Yamaha Music Europe GmbH,
Tyskland**
Generatorvej 8C, ST. TH., 2860 Søborg, Denmark
Tel: +45-44-92-49-00

NORWAY

**Yamaha Music Europe GmbH Germany -
Norwegian Branch**
Grini Næringspark 1, 1332 Østerås, Norway
Tel: +47-6716-7800

CYPRUS

Yamaha Music Europe GmbH
Siemensstrasse 22-34, 25462 Rellingen, Germany
Tel: +49-4101-303-0

RUSSIA

Yamaha Music (Russia) LLC.
Room 37, entrance 7, bld. 7, Kievskaya street,
Moscow, 121059, Russia
Tel: +7-495-626-5005

OTHER EUROPEAN REGIONS

Yamaha Music Europe GmbH
Siemensstrasse 22-34, 25462 Rellingen, Germany
Tel: +49-4101-3030

AFRICA

Yamaha Music Gulf FZE
JAFZA-16, Office 512, P.O.Box 17328,
Jebel Ali FZE, Dubai, UAE
Tel: +971-4-801-1500

MIDDLE EAST

TURKEY

**Yamaha Music Europe GmbH
Merkezi Almanya Türkiye İstanbul Şubesi**
Mor Sumbul Sokak Varyap Meridian Business
1.Blok No:1 113-114-115
Bati Atasehir Istanbul, Turkey
Tel: +90-216-275-7960

OTHER REGIONS

Yamaha Music Gulf FZE
JAFZA-16, Office 512, P.O.Box 17328,
Jebel Ali FZE, Dubai, UAE
Tel: +971-4-801-1500

ASIA

THE PEOPLE'S REPUBLIC OF CHINA

Yamaha Music & Electronics (China) Co.,Ltd.
2F, Yunhedasha, 1818 Xinzha-lu, Jingan-qu,
Shanghai, China
Tel: +86-400-051-7700

INDIA

Yamaha Music India Private Limited
P-401, JMD Megapolis, Sector-48, Sohna Road,
Gurugram-122018, Haryana, India
Tel: +91-124-485-3300

INDONESIA

PT Yamaha Musik Indonesia Distributor
Yamaha Music Center Bldg. Jalan Jend. Gatot
Subroto Kav. 4, Jakarta 12930, Indonesia
Tel: +62-21-520-2577

KOREA

Yamaha Music Korea Ltd.
11F, Prudential Tower, 298, Gangnam-daero,
Gangnam-gu, Seoul, 06253, Korea
Tel: +82-2-3467-3300

MALAYSIA

Yamaha Music (Malaysia) Sdn. Bhd.
No.8, Jalan Perbandaran, Kelana Jaya, 47301
Petaling Jaya, Selangor, Malaysia
Tel: +60-3-78030900

SINGAPORE

Yamaha Music (Asia) Private Limited
Block 202 Hougang Street 21, #02-00,
Singapore 530202, Singapore
Tel: +65-6740-9200

TAIWAN

Yamaha Music & Electronics Taiwan Co.,Ltd.
2F, No.1, Yuandong Rd., Banqiao Dist.,
New Taipei City 22063, Taiwan (R.O.C.)
Tel: +886-2-7741-8888

THAILAND

Siam Music Yamaha Co., Ltd.
3, 4, 15, 16th Fl., Siam Motors Building,
891/1 Rama 1 Road, Wangmai,
Pathumwan, Bangkok 10330, Thailand
Tel: +66-2215-2622

VIETNAM

Yamaha Music Vietnam Company Limited
15th Floor, Nam A Bank Tower, 201-203 Cach
Mang Thang Tam St., Ward 4, Dist.3,
Ho Chi Minh City, Vietnam
Tel: +84-8-3818-1122

OTHER ASIAN REGIONS

<http://asia.yamaha.com/>

OCEANIA

AUSTRALIA

Yamaha Music Australia Pty. Ltd.
Level 1, 80 Market Street, South Melbourne,
VIC 3205, Australia
Tel: +61-3-9693-5111

REGIONS AND TRUST TERRITORIES IN PACIFIC OCEAN

<http://asia.yamaha.com/>

雅马哈乐器音响（中国）投资有限公司

上海市静安区新闻路1818号云和大厦2楼

客户服务热线：4000517700

公司网址：<https://www.yamaha.com.cn>

厂名：雅马哈电子（苏州）有限公司

厂址：江苏省苏州市苏州新区鹿山路18号

Yamaha Pro Audio global website
<http://www.yamahaproaudio.com/>

Yamaha Downloads
<https://download.yamaha.com/>

Manual Development Group
© 2021 Yamaha Corporation
Published 03/2021
2021年3月 发行
POES - A0

VDX1850