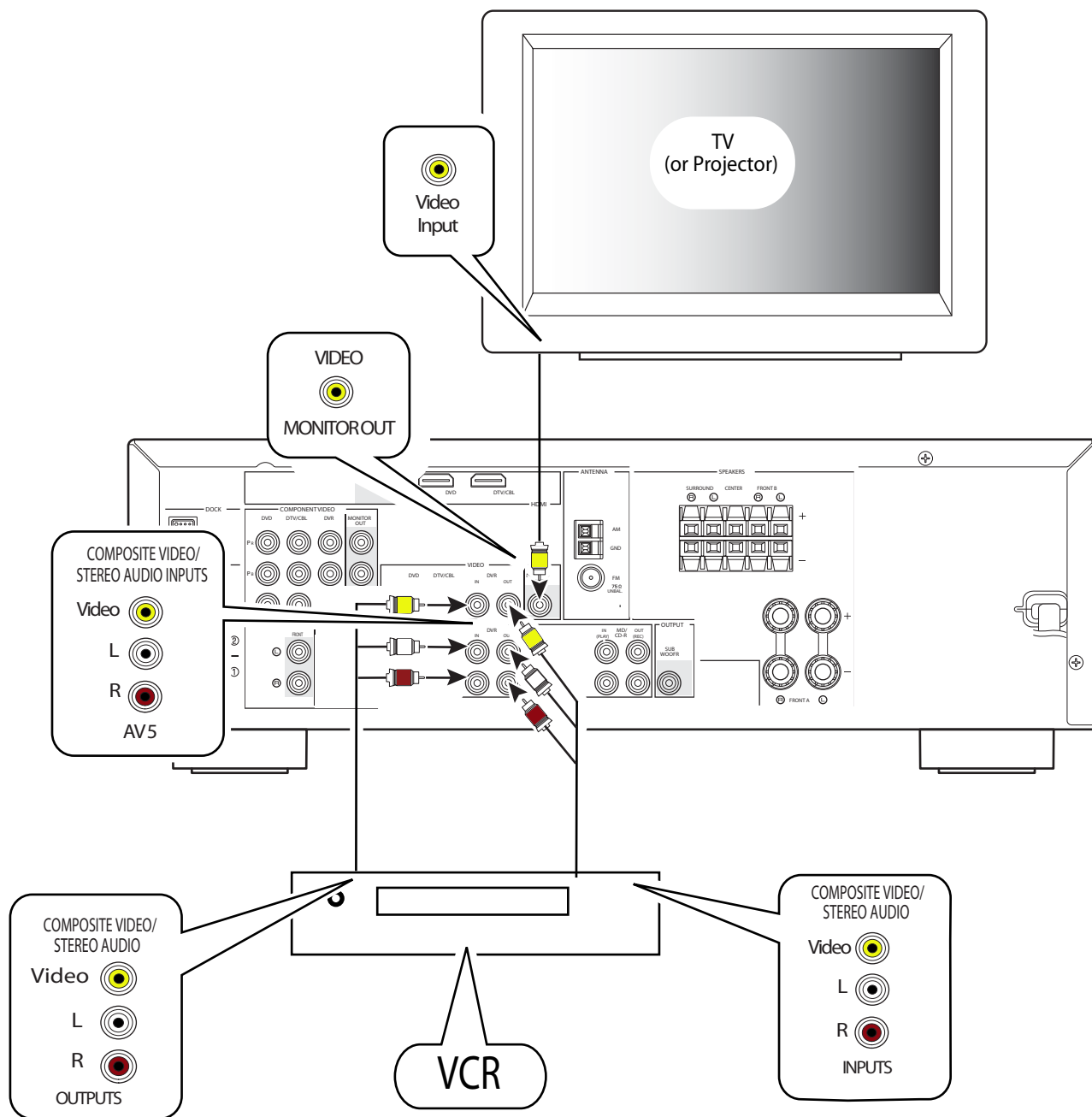


Hooking a VCR to a RX-V365/HTR-6230



This Receiver will not Up Convert any video signals. If a Composite (Yellow) signal is run into the receiver it must be run out from the Composite (Yellow) Monitor Out on the Receiver to the Composite (Yellow) Video In on the TV. A VCR connected in that fashion will only be able to record from sources connected to the receiver via Composite (Yellow) and Audio out Left & Right. With this setup Component Video and HDMI sources can be run through the receiver. As long as the perspective Video Monitor Out connections are run to the TV.