

Quick-Connect Poster

YHT-780

Home Theater in a Box

home theater

YAMAHA®

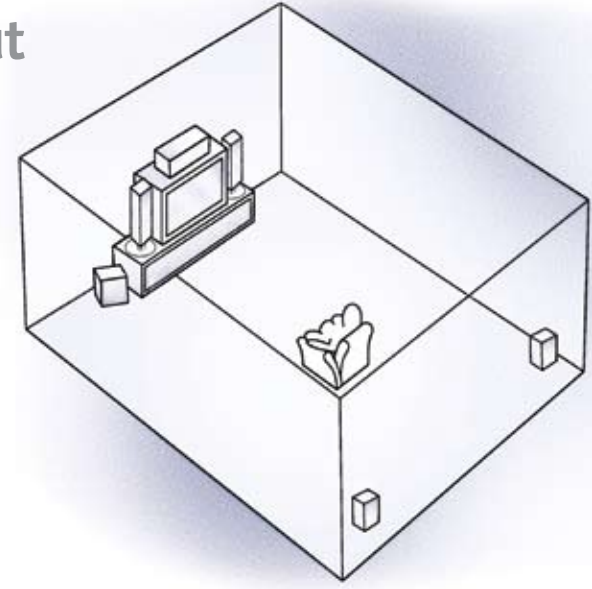
Yamaha created this package to greatly enhance your audio and home theater enjoyment. This Quick-Connect Poster will help you get started. Follow the steps to connect the speakers first. Then connect your other components. Refer to your Owner's Manuals as well as those that came with your other components for complete instructions and precautions. *Be sure that all components are not plugged in while making connections.* You will need the following which are not included in the package: Phillips screwdriver, wire cutter/stripper, optional for wall mounting: brackets, toggle bolts, molly anchor screws or sheet metal screws.

1 Your System



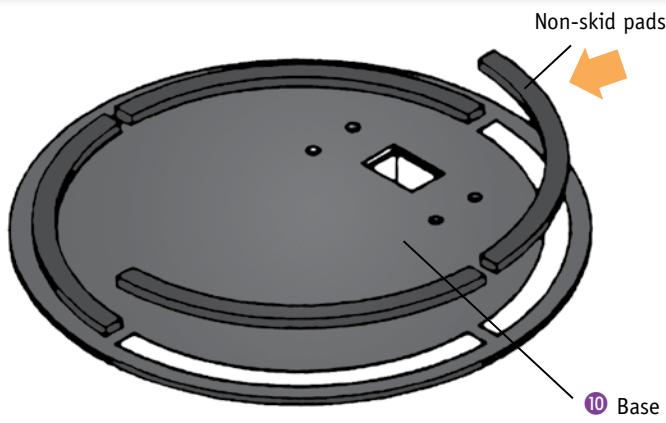
Inspect Contents After unpacking, inspect the contents to confirm you have the above items: 1 two main speakers, 2 two surround speakers, 3 one center speaker, 4 one subwoofer, 5 HTR-6040 A/V Receiver, 6 speaker wire, 7 subwoofer RCA cable, 8 two caps, 9 two speaker supports, 10 two bases, 11 four black speaker mounting screws, 12 eight base mounting screws. Also included, but not shown, are non-skid pads, YPAO microphone, AM and FM antennas and related Owner's Manuals.

2 Room Layout



Speaker Placement After connection of the speakers place them so they appear in the approximate positions as shown in the diagram above.

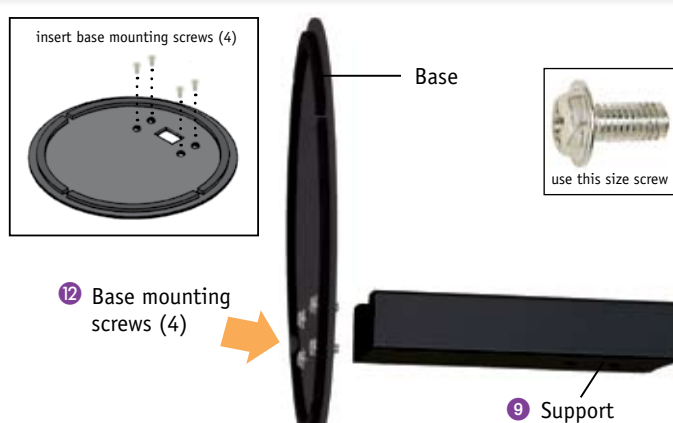
3



Speaker Stand Assembly

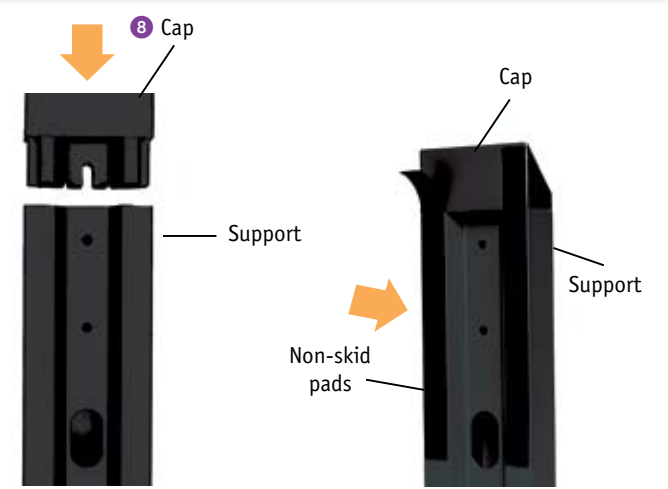
Attach non-skid pads to the bottom of the base as shown. Repeat steps for each base.

4



Attach Support to Base Identify both speaker supports 9 and both bases 10 and attach support to base using the four short screws 12 as shown. Do not over-tighten the screws. Doing so may damage the screws or assembly. Repeat steps for each base.

5



Attach Cap to Support by pushing cap downward into the support. Attach the non-skid pads as shown.

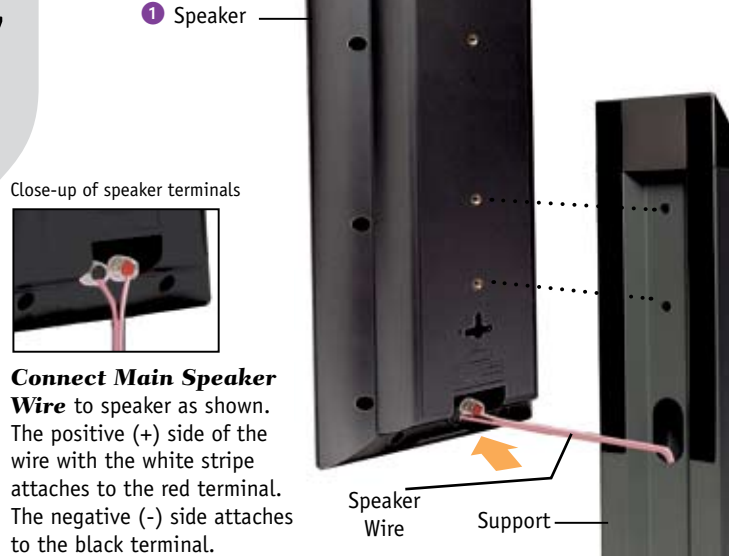
6



Thread Speaker Wires

Cut speaker wire 6 to appropriate lengths for all speaker connections and set aside. Place each stand upright on its base. Thread main speaker wire through opening on underside of base and pull through oval opening on stand. Pull wire all the way through leaving extra length near oval opening as shown.

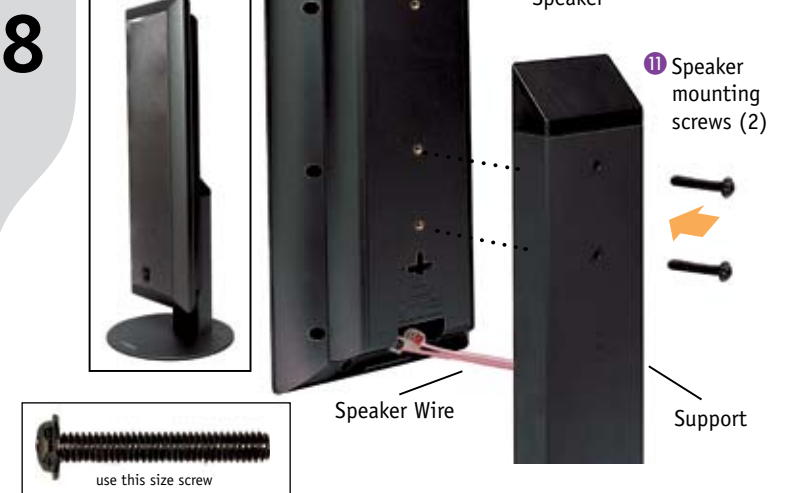
7



Connect Main Speaker Wire

to speaker as shown. The positive (+) side of the wire with the white stripe attaches to the red terminal. The negative (-) side attaches to the black terminal.

8



Attach Speaker to Support using the two speaker mounting screws 11 provided. Completed speaker will look like inset image.

9

Connect Surround Speaker Wire

Cut speaker wire 6 to appropriate lengths for all speaker connections. Connect speaker wire for front speaker 1 and surround speakers 2. The positive (+) side of the wire with the white stripe attaches to the red terminal. The negative (-) side attaches to the black terminal. (See your HTR-6040 Owner's Manual for more information on speaker wire connections.)

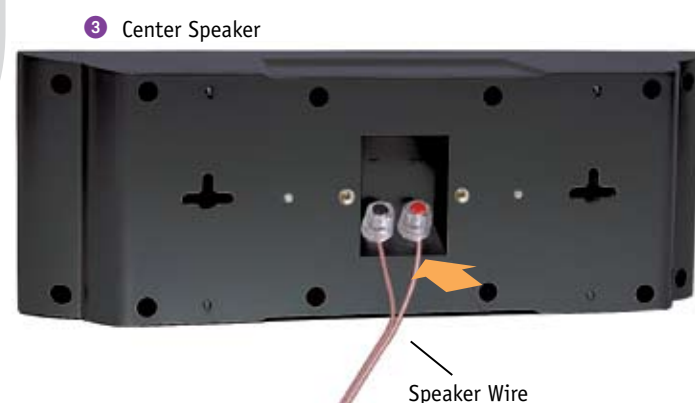
Mount Surround Speakers (optional)

Fasten mounting screws into a firm wall or wall support. Leave 1/4" space between head and wall. Hang the keyholes on the speaker backs on the protruding screws.

WARNING Please contact a reliable source about the best type of hardware for your particular wall's construction. Secure installation is the purchaser's responsibility. See your Owner's Manual for additional precautions.



10



Connect Center Speaker Wire

Connect Center Speaker Wire as shown. The positive (+) side of the wire with the white stripe attaches to the red terminal. The negative (-) side attaches to the black terminal. Place all speakers in desired location as shown in Step 2, Room Layout.

11



Connect Center Speaker Positive (+) side of the wire with white stripe attaches to (+) terminal. Negative (-) side attaches to (-) terminal.

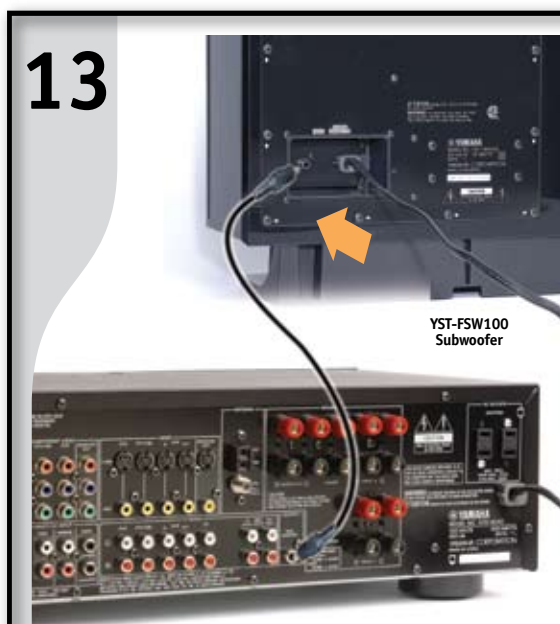
CAUTION Receiver must not be plugged in while connecting speakers.



12 Speaker Connections

Connect Front Speakers and Surround Speakers Positive (+) side of the wire with white stripe attaches to (+) terminal. Negative (-) side attaches to (-) terminal.

CAUTION Receiver must not be plugged in while connecting speakers.



13 Subwoofer Connection

Connect RCA Cable

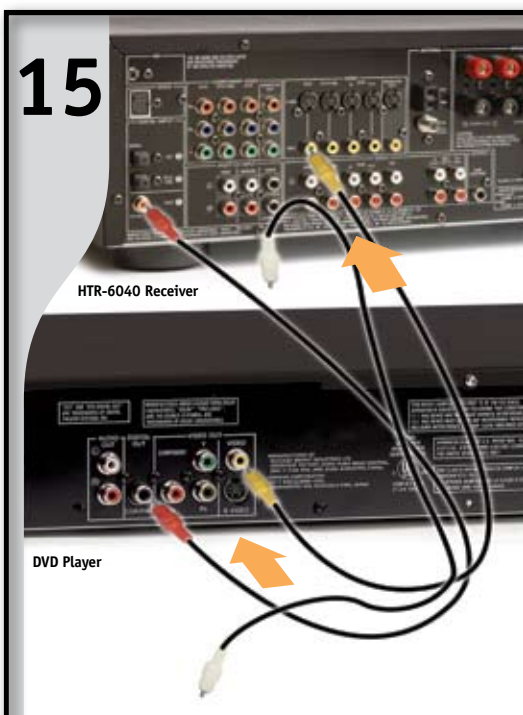
Connect RCA cable 7 to subwoofer 4. Set subwoofer VOLUME control to half-way mark and POWER to OFF. Connect RCA cable to receiver from subwoofer.

WARNING Receiver must not be plugged in while connecting subwoofer.



14 Antenna Connection

Connect Antennas to Receiver Locate AM loop antenna and indoor FM antenna. Keeping receiver unplugged, connect as shown. For more information about obtaining clear reception and grounding, see your Owner's Manual.



15 DVD Player Connection

Connect DVD Player (optional) Top: Connect RCA audio/video cables (not included) to receiver: Yellow to "DVD," Red to "Digital Input DVD Coaxial" as shown, and leave White unplugged. Bottom: Connect audio/video cables to DVD player from receiver: Yellow to "Video", Red to "Coaxial", and leave White unplugged.



16 VCR Connection

Connect VCR (optional) Connect audio/video cables (not included) as shown.

NOTE VCR shown is for illustration purposes only. When using a hi-fi-stereo VCR, set the Tuner/Line switch on the VCR to "Line" position to record from another source connected to the HTR-6040 receiver.



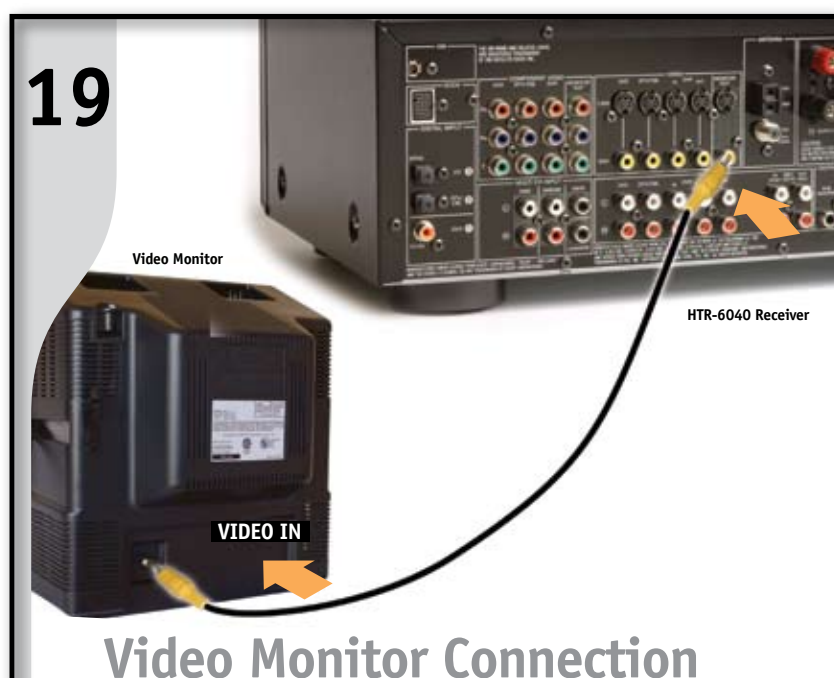
17 Video Game Console Connection

Connect Game Console or Video Camera (optional) Connect RCA audio/video cables (not included) as shown.



18 DSS/Cable/HDTV Tuner Connection

Connect DSS/Cable/HDTV Tuner Box (optional) Connect RCA audio/video cables (not included) and optional optical cable (not pictured) to "DTV/CBL" terminals on receiver to A/V OUT connections on Box as shown.



19 Video Monitor Connection

Connect a Video Monitor (optional) Connect an RCA video cable (not included) to receiver Monitor OUT from your video monitor as shown.



20 CD Player Connection

Connect CD Player (optional) Connect RCA audio cables (not included) to "CD" terminals on receiver as shown. If your CD Player has digital output terminal, connect digital cable (not included) to HTR-6040 Receiver Digital Input terminal. See your HTR-6040 Owner's Manual for more information.



21 MD/CD-R Player Connection

Connect MD/CD-R Recorder (optional) Connect RCA audio cables (not included) to "MD/CD-R" terminals on receiver as shown.



22 Plug In

Plug In receiver, subwoofer and other components. Power on the receiver first, and the other components next. Adjust volume on the receiver. Please see each of your respective Owner's Manuals for recommended guidelines and settings.



Enjoy the Yamaha Home Theater Experience
Be sure to put batteries in your remotes (see Owner's Manuals for instructions). Refer to your Owner's Manuals for each component in your system for more information. Now, relax and enjoy the unparalleled sound of your Yamaha Home Theater system.

YAMAHA ELECTRONICS CORPORATION, USA
6660 Orangethorpe Avenue
Buena Park, CA 90620
<http://www.yamaha.com>
Phone: 1-800-292-2982