

YHT-270 DIGITAL HOME THEATER SYSTEM

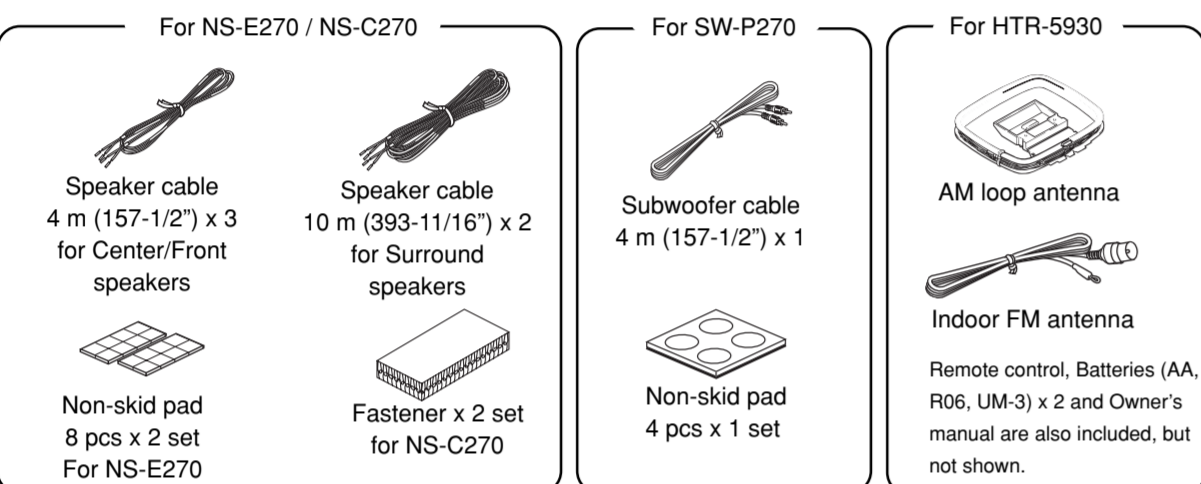
SYSTEM CONNECTION GUIDE

Thank you for selecting this YAMAHA YHT-270.

1 About This system



Supplied accessories



Major specifications for speakers

(HTR-5930: refer to the "HTR-5930 Owner's manual" for specifications and safety cautions.)

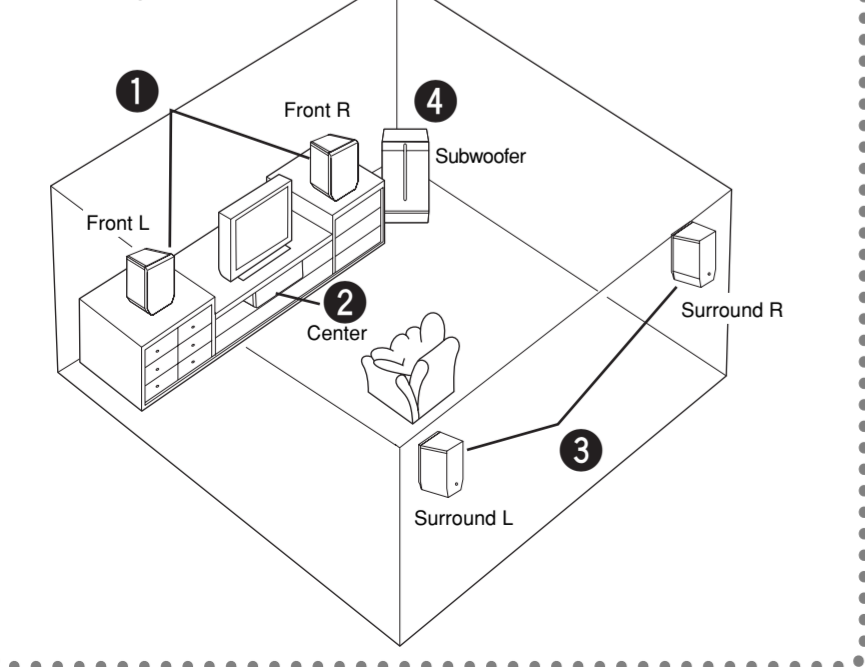
	NX-E270	NX-C270	SW-P270
Type	acoustic-suspension speaker system, Magnetically shielded type	acoustic-suspension speaker system, Magnetically shielded type	Advanced YAMAHA Active Servo Technology, Magnetically shielded type
Power	Maximum: 80 W	Maximum: 100 W	Dynamic power: 100 W
Frequency response	100 Hz - 25 kHz	130 Hz - 20 kHz	30 Hz - 200 Hz
Dimension (W x H x D)	105 x 151 x 113 mm (4-1/8" x 5-15/16" x 4-7/16")	300 x 72 x 113 mm (11-13/16" x 2-27/32" x 4-7/16")	200 x 365 x 370 mm (7-7/8" x 14-3/8" x 14-9/16")
Weight	0.8 kg (1.76 lbs)	0.9 kg (1.98 lbs)	8.5 kg (18.74 lbs)

2 About speakers

Before making connections, place all speakers in their respective positions. The positioning of the speakers is important because it controls the whole sound quality of your audio system. Place the speakers depending on your listening position by following the instructions below.

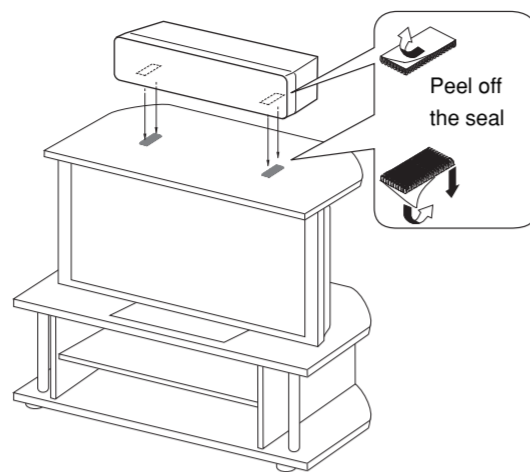
1 Front speakers	Carrying most of the music/sound effects. Place them on both sides of your TV set. Approximately at the same height as the TV set.
2 Center speaker	Emitting center sound such as dialog. Place it precisely between the front speakers. You can place the center speaker on top of the TV if the top is flat, on the floor under the TV, or inside the TV rack. Be sure to place the speaker in a stable position.
3 Surround speakers	Providing the surround/ambient effects. Place them behind your listening position, facing slightly inward. About 1.8 m (approx. 6 feet) from the floor.
4 Subwoofer	Adding the low-frequency bass sound. As a recommended positioning of the subwoofer, place the subwoofer on the outside of either the right or the left front speaker. For more detail, read "3 Placing the speakers - Subwoofer".

Speaker layout



3 Placing the speakers

Center speaker



When placing the speaker on top of the TV rack, etc., attach the provided fasteners at two points on the bottom of the speaker and on the top of the TV.

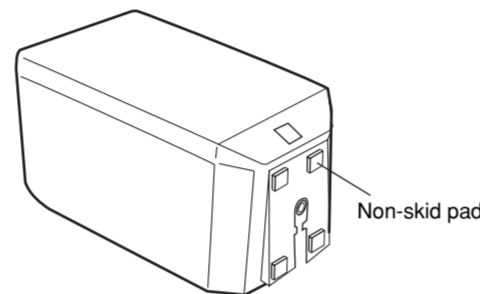
Notes

- Do not place the center speaker on top of a TV whose area is smaller than the bottom of the speaker. If placed, the speaker may fall and cause injury.
- Do not place the center speaker on top of a TV if the top is inclined.
- Do not touch the adhesive surface after peeling off the seal, as this will weaken its adhesive strength.
- Thoroughly wipe clean the surface where the fastener is to be applied. Note that adhesive strength is weakened if the surface is dirty, oily or wet and that this may cause the center speaker to fall.

Front and surround speakers

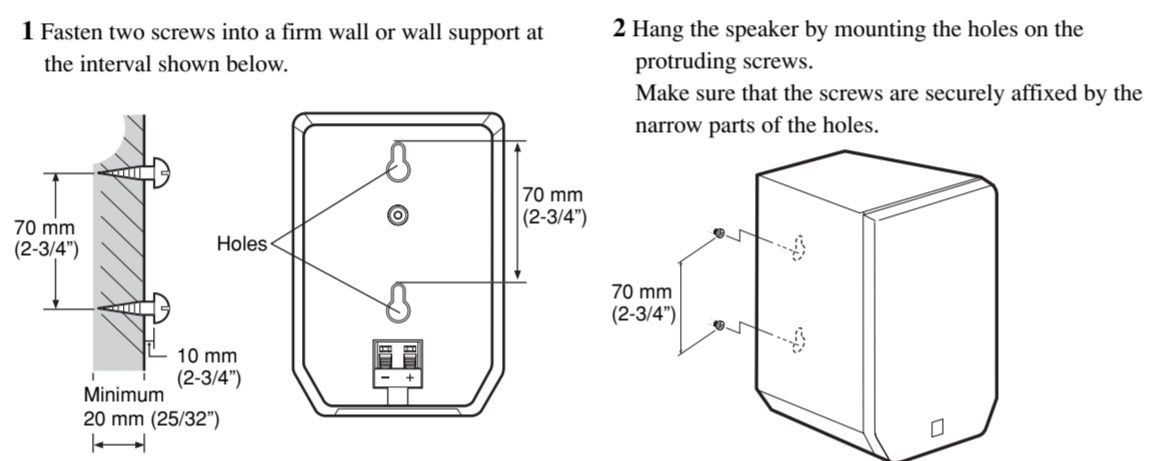
Placing the speakers

When placing the speakers on a flat surface, attach the included non-skid pads to the corner on the bottom of the speakers. This prevents the speakers from sliding.



Mounting the speakers on the wall

You can mount the front and/or surround speakers on a wall. To mount them on a wall, use the holes of the brackets attached on the back panels of the speakers.

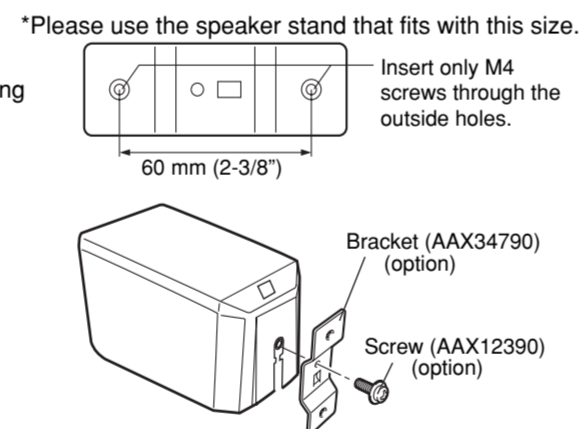


Caution

- Each speaker weighs 0.8 kg (1.76 lbs).
- Do not mount the speakers on thin plywood or a wall composed of a soft surface material. If mounted, the screws may pull out of the flimsy surface and the speakers may fall. This may damage the speakers or cause personal injury.
- Do not affix the speakers to a wall using nails, adhesives, or any other unstable hardware. Long-term use and vibrations may cause the speakers to fall.
- To avoid accidents resulting from tripping over loose speaker cables, fix the cables to the wall.
- Select an appropriate position on the wall to mount the speaker so that no one will injure his/her head or face.

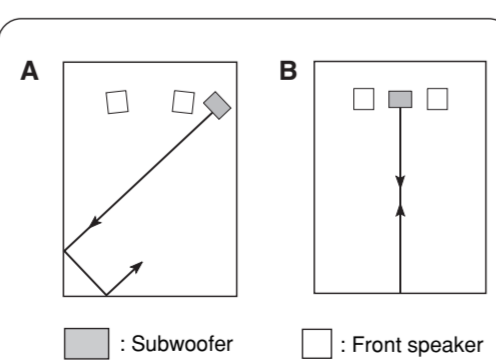
Installing the speakers on commercially available speaker stands

When you install the speakers on commercially available speaker stands, you need to attach the brackets (option) to the bottom of the speakers using screws (option).



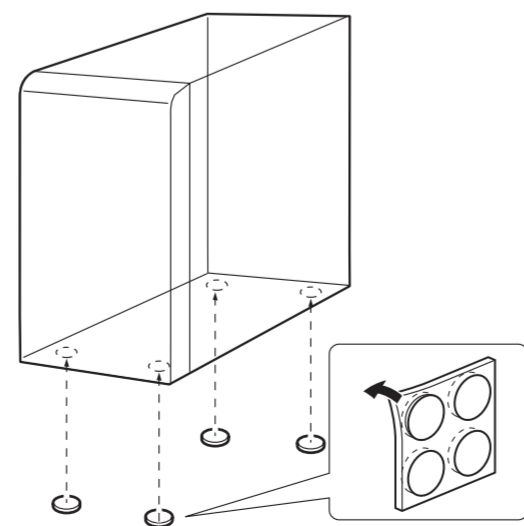
Subwoofer

It is recommended to place the subwoofer on the outside of either the right or the left front speaker (figure A). The placement shown in figure B is also possible, however, if the subwoofer is placed directly facing the wall, the bass sound may lessen because the sound from the subwoofer and the sound reflected by the wall may cancel out each other. To prevent this from happening, face the subwoofer obliquely to the wall.



Use the non-skid pads

Attach the provided non-skid pads at the four corners of the bottom of the subwoofer to prevent the subwoofer from moving by vibrations, etc.



4 Connecting speakers and antennas to the receiver

CAUTION

Plug the power cables for the AV receiver and other audio/video components into an AC outlet only after you complete all other connections.

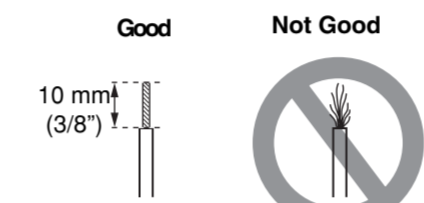
Keep the speaker cables as short as possible. Do not bundle or roll up excess cable. If the connections are faulty, you will hear no sound from the speakers.

Before connecting

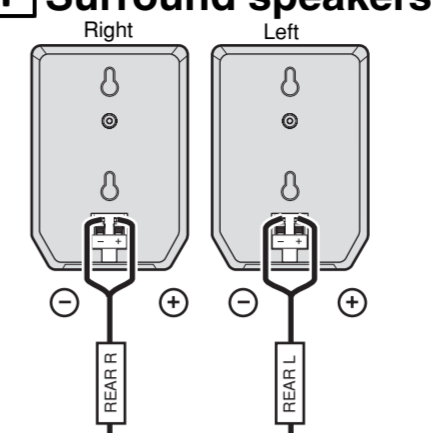
- Cut the supplied speaker cable to the appropriate length as required.
- Remove the insulation coating at extremity of each speaker cable by twisting the coating off.

Notes

- Do not let uninsulated bare wires touch each other as this could damage the speaker or the amplifier.
- Securely twist the bare wires and lump them together to prevent them causing a short circuit.



1 Surround speakers



2 Antennas

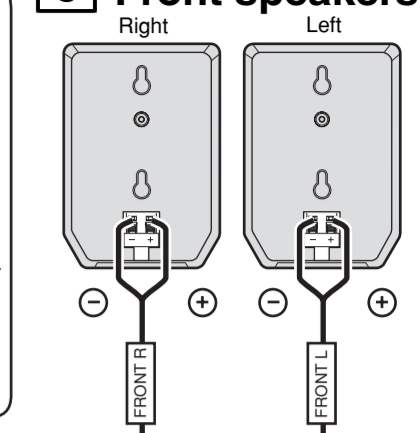
Connecting to the receiver terminals of the Antennas

Locate AM loop antenna and indoor FM antenna, and connect to the receiver. For more details, refer to the "HTR-5930 Owner's Manual".

Connecting to the receiver terminals of the front speakers

- Loosen the knob.
- Insert the bare wire core of the speaker cable into the hole on the terminal.
- Tighten the knob to secure the wire.

3 Front speakers

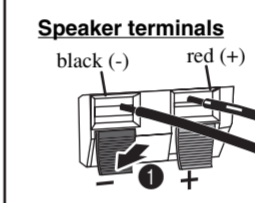


4 Subwoofer

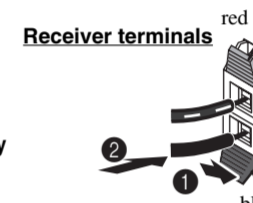
To AC outlet

Connecting to the speaker or the receiver terminals

- Press and hold the terminal tab, as shown in the figure below.
- Insert the bare wire core.
- Release your finger from the tab to allow it to lock securely on the bare wire core.
- Test the security of the connection by pulling gently on the cable at the terminal.



Note: Do not insert the insulation coating into the hole. The sound may not be produced.



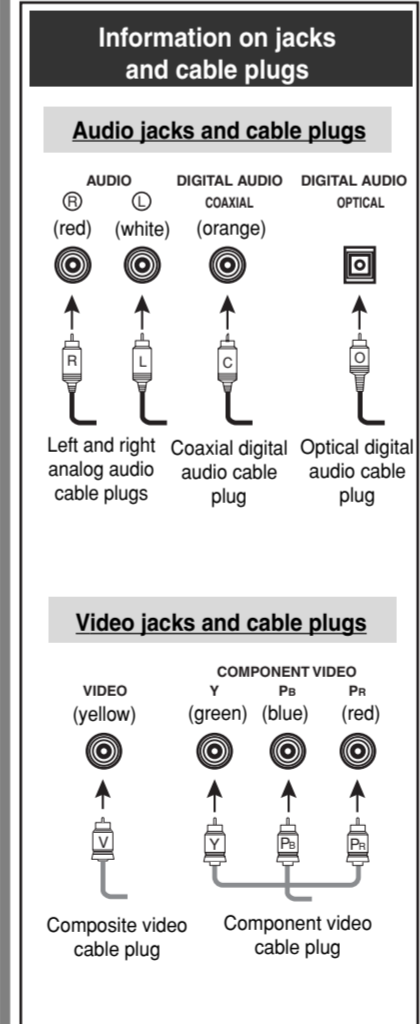
5 Center speaker

5 Connecting other components to the receiver

This procedure introduces an example of digital and analog connections. For information about other connection methods, refer to the "HTR-5930 Owner's Manual".

CAUTION

Plug the power cables for the AV receiver and other audio/video components into an AC outlet only after you complete all other connections.



(U.S.A. model only)

4 XM Connect-and-Play digital antenna

Connect the XM Connect-and-Play digital antenna accessory (sold separately) to the XM jack.

1 Cable TV or satellite tuner

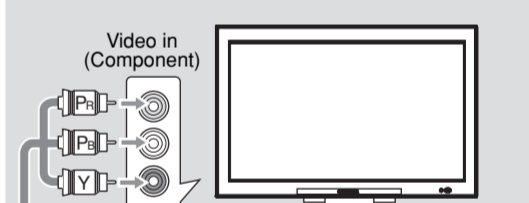
- Connect the component video output jacks of your cable TV or satellite tuner to the COMPONENT VIDEO (DTV/CBL) jacks of this unit using a component video cable.
- Connect the optical digital audio output jack of your cable TV or satellite tuner to the DIGITAL INPUT (DTV/CBL) jack of this unit using an optical digital audio cable.

2 DVD player

- Connect the component video output jacks of your DVD player to the COMPONENT VIDEO (DVD) jacks of this unit using a component video cable.
- Connect to the optical digital audio signal output jack of your DVD player to DIGITAL INPUT (DVD/COAXIAL) jack using an optical digital audio cable.

3 Video monitor

Connect the component video input jacks of video monitor to the COMPONENT VIDEO (MONITOR OUT) jacks of this unit using a component video cable.



5 CD recorder or MD recorder

Connect the analog audio output jacks of your CD recorder or MD recorder to the MD/CD-R IN (PLAY) jacks on this unit using an analog audio cable (stereo).
* To record audio sources output at the MD/CD-R OUT (REC) jacks, you need to connect the source component using an analog connection. For details, refer to the "HTR-5930 Owner's Manual".

6 DVD recorder or VCR

1. Connect the component video output jacks of your DVD recorder or VCR to the COMPONENT VIDEO (VCR) jacks of this unit using a component video cable.
2. Connect the analog audio output jacks of your DVD recorder or VCR to the AUDIO VCR IN jacks on this unit using an analog audio cable.
* To record audio and video sources output at the VCR OUT jacks, you need to connect the source component using an analog connection. For details, refer to the "HTR-5930 Owner's Manual".

7 Plug in the power

After you complete all cable connections, plug in the receiver, subwoofer, DVD player and other components to the AC outlet.