

Quick-Connect Poster

YHT-760

Home Theater in a Box

home theater



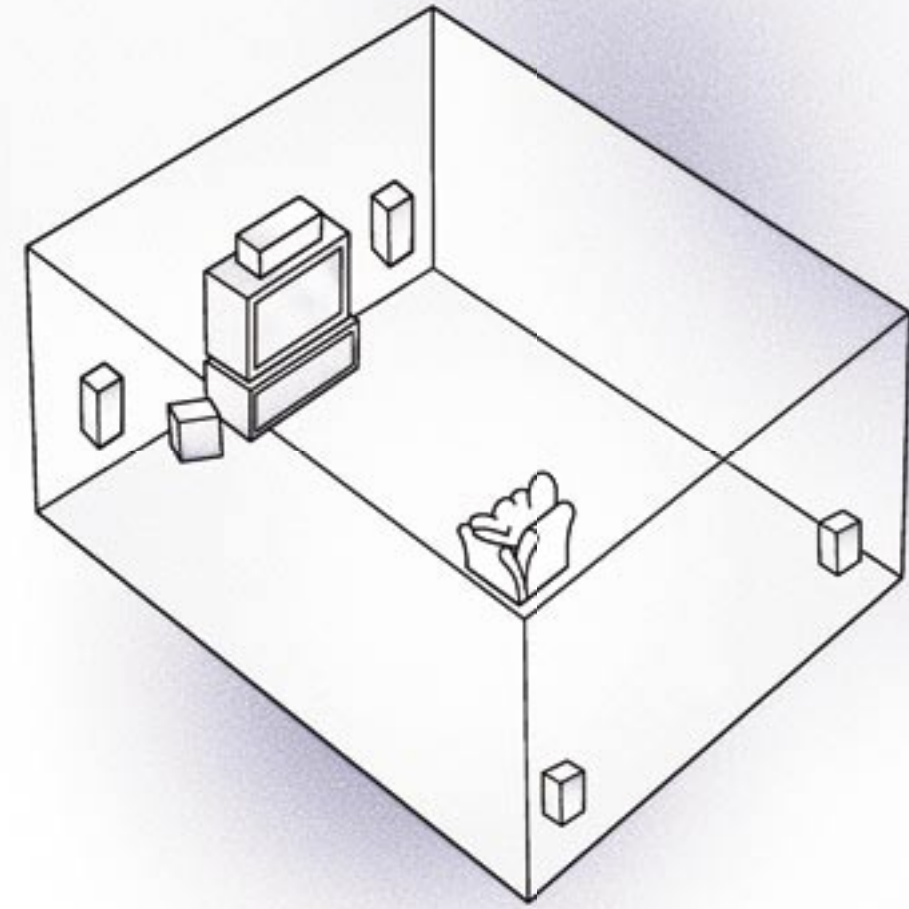
Yamaha created this package to greatly enhance your audio and home theater enjoyment. This Quick-Connect Poster will help you get started. Follow the steps to connect the speakers first. Then connect your DVD Player and other components. Refer to your Owner's Manuals as well as those that came with your other components for complete instructions and precautions. *Be sure that all components are not plugged in while making connections.* You will need the following which are not included in the package: Phillips screwdriver, wire cutter/stripper, optional for wall mounting: brackets, toggle bolts, molly anchor screws or sheet metal screws.

1 Your System



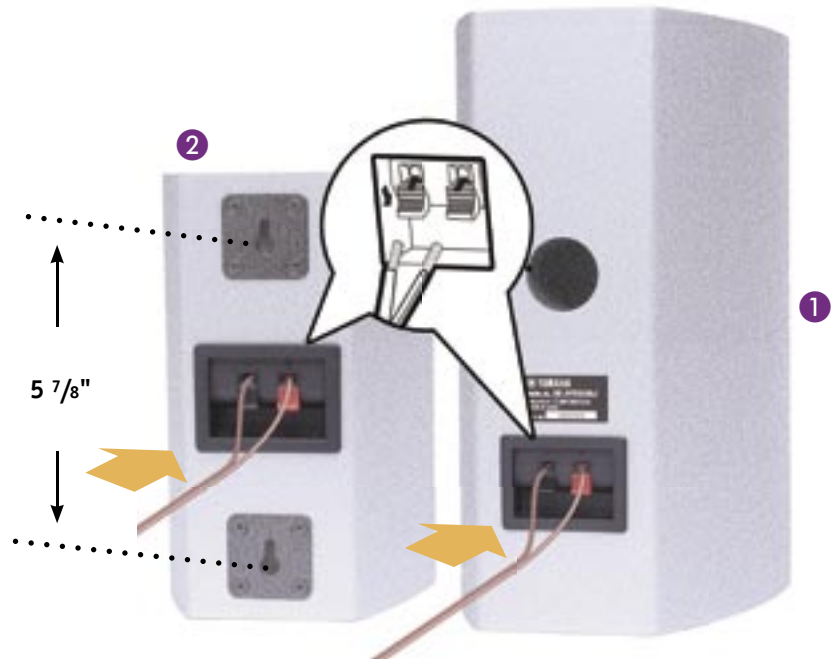
Inspect Contents After unpacking, inspect the contents to confirm you have the above items: 1 two front speakers, 2 two surround speakers, 3 one center speaker, 4 subwoofer, 5 HTR-5835 A/V Receiver with remote control, 6 DV-C6761 Player with remote control, 7 speaker wire, 8 audio/video RCA cable. Also included, but not shown, are AM and FM antennas and related Owner's Manuals.

2 Room Layout



Speaker Placement After connection of the speakers place them so they appear in the approximate positions as shown in the diagram above.

3



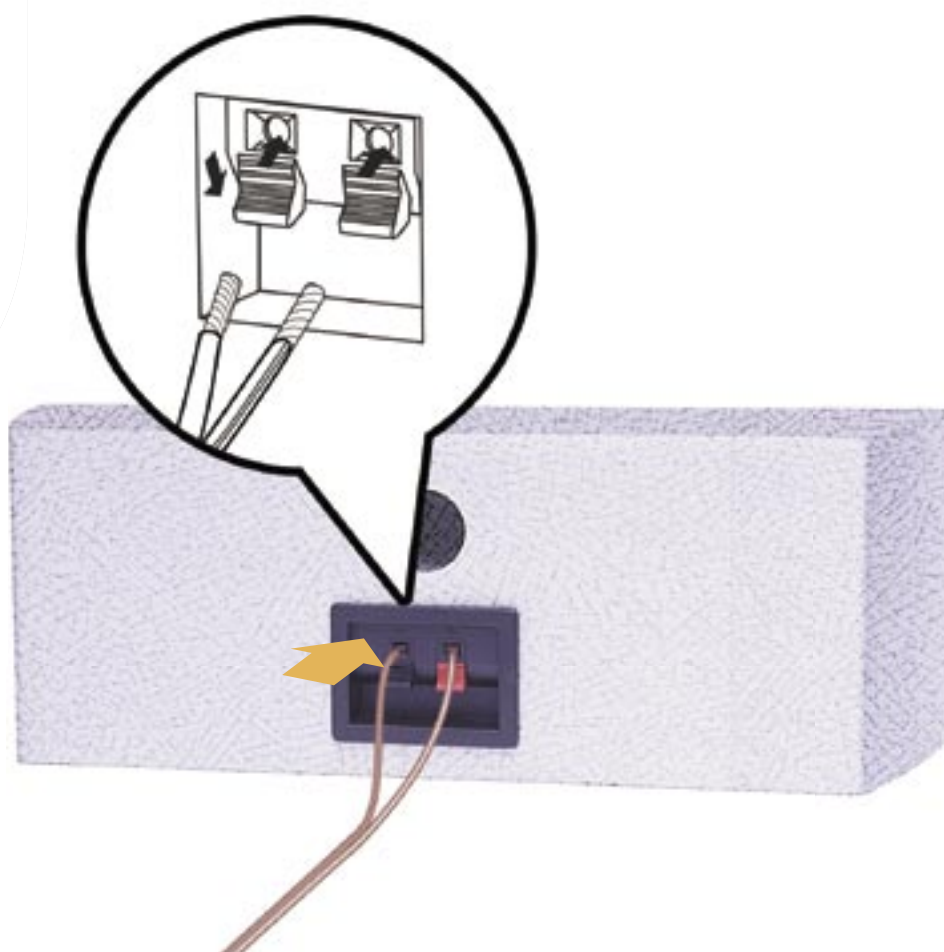
Connect Speaker Wire

Cut speaker wire 7 to appropriate lengths for all speaker connections. Connect speaker wire for front speaker 1, surround speakers 2, and subwoofer 4. The positive (+) side of the wire with the white stripe attaches to the red terminal. The negative (-) side attaches to the black terminal. (See your HTR-5835 Owner's Manual for more information on speaker wire connections.)

Mount Surround Speakers (optional) Fasten mounting screws into a firm wall or wall support. Leave 1/4" space between head and wall. Hang the keyholes on the speaker backs on the protruding screws.

WARNING Please contact a reliable source about the best type of hardware for your particular wall's construction. Secure installation is the purchaser's responsibility. See your Owner's Manual for additional precautions.

4



Connect Center Speaker Wire

Connect Center Speaker Wire as shown. The positive (+) side of the wire with the white stripe attaches to the red terminal. The negative (-) side attaches to the black terminal. Place all speakers in desired location as shown in Step 2, Room Layout.

5



Speaker Connections

Connect Front Speakers Positive (+) side of the wire with white stripe attaches to (+) terminal. Negative (-) side attaches to (-) terminal.

CAUTION Receiver must not be plugged in while connecting speakers.

6



Connect Surround Speakers Positive (+) side of the wire with white stripe attaches to (+) terminal. Negative (-) side attaches to (-) terminal.

CAUTION Receiver must not be plugged in while connecting speakers.

7



Connect Center Speaker Positive (+) side of the wire with white stripe attaches to (+) terminal. Negative (-) side attaches to (-) terminal.

CAUTION Receiver must not be plugged in while connecting speakers.

8

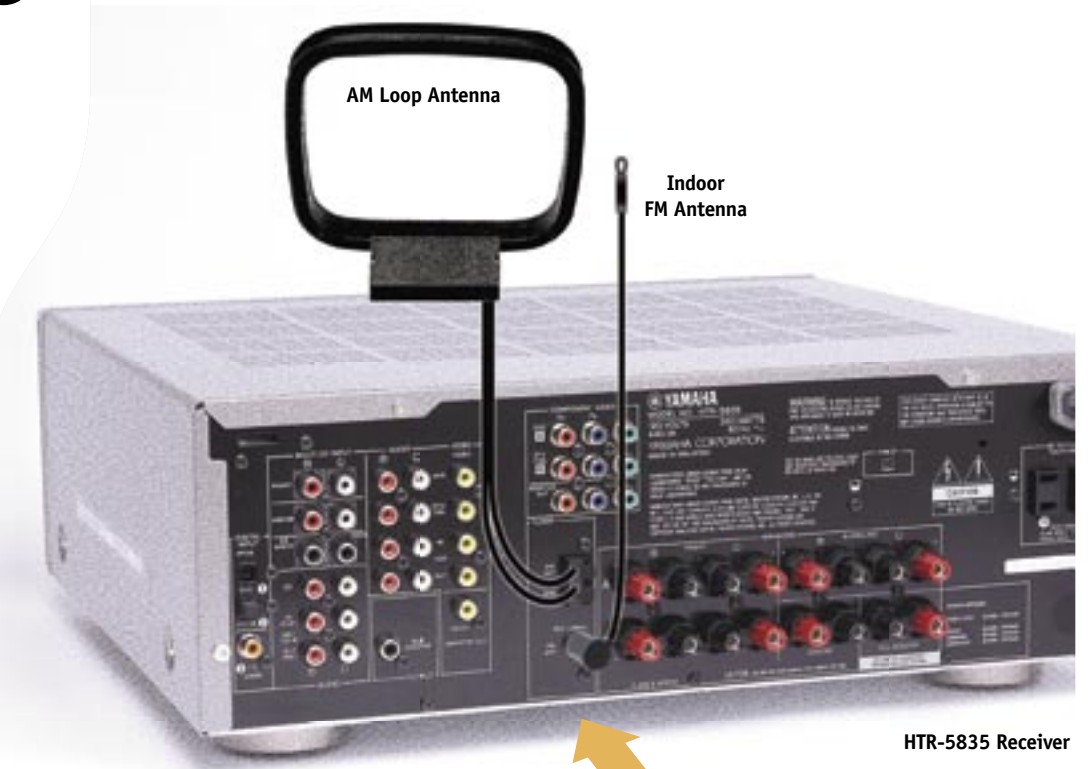


Subwoofer Connection

Connect Subwoofer Positive (+) side of the wire with white stripe attaches to (+) terminal. Negative (-) side attaches to (-) terminal.

WARNING Receiver must not be plugged in while connecting speakers.

9 Antenna Connection



Connect Antennas to Receiver Locate AM loop antenna and indoor FM antenna. Keeping receiver unplugged, connect as shown. For more information about obtaining clear reception and grounding, see your Owner's Manual.

10

DVD Player Connection

Connect DVD Player
 Top: Connect RCA audio/video cables (8) to receiver: Yellow to "DVD," Red to "Digital Input CD Coaxial" as shown, and leave White unplugged.

NOTE Refer to your HTR-5835 Owner's Manual for information about reassigning coaxial digital input.

Bottom: Connect audio/video cables to DVD player from receiver: Yellow to "Video", Red to "Coaxial", and leave White unplugged.

WARNING Components must not be plugged in while connecting them. Wait until all connections are made before plugging in your components.

11

DVD Player Optical Connection (optional) Remove dust cap on optical input as shown on inset. Connect optical cable (not included) to receiver. Connect optical cable to DVD player from receiver.

12

VCR Connection

Connect VCR (optional) Connect audio/video cables (not included) as shown.

NOTE VCR shown is for illustration purposes only. When using a hi-fi stereo VCR, set the Tuner/Line switch on the VCR to "Line" position to record from another source connected to the HTR-5835 receiver.

13

Video Game Console Connection

Connect Game Console or Video Camera (optional) Connect RCA audio/video cables (not included) as shown.

14

DSS/Cable/HDTV Tuner Connection

Connect DSS/Cable/HDTV Tuner Box (optional) Connect RCA audio/video cables (not included) and optional optical cable (not pictured) to "DTV/CBL" terminals on receiver to A/V OUT connections on Box as shown.

15

Video Monitor Connection

Connect a Video Monitor (optional) Connect an RCA video cable (not included) to receiver Monitor OUT from your video monitor as shown.

16

CD Player Connection

Connect CD Player (optional) Connect RCA audio cables (not included) to "CD" terminals on receiver as shown. If your CD Player has digital output terminal, connect digital cable (not included) to HTR-5835 Receiver Digital Input terminal. See your HTR-5835 Owner's Manual for more information.

17

MD/CD-R Player Connection

Connect MD/CD-R Recorder (optional) Connect RCA audio cables (not included) to "MD/CD-R" terminals on receiver as shown.

18

Plug In receiver, DVD player and other components. Power on the receiver first, and the other components next. Adjust volume on the receiver. Please see each of your respective Owner's Manuals for recommended guidelines and settings.