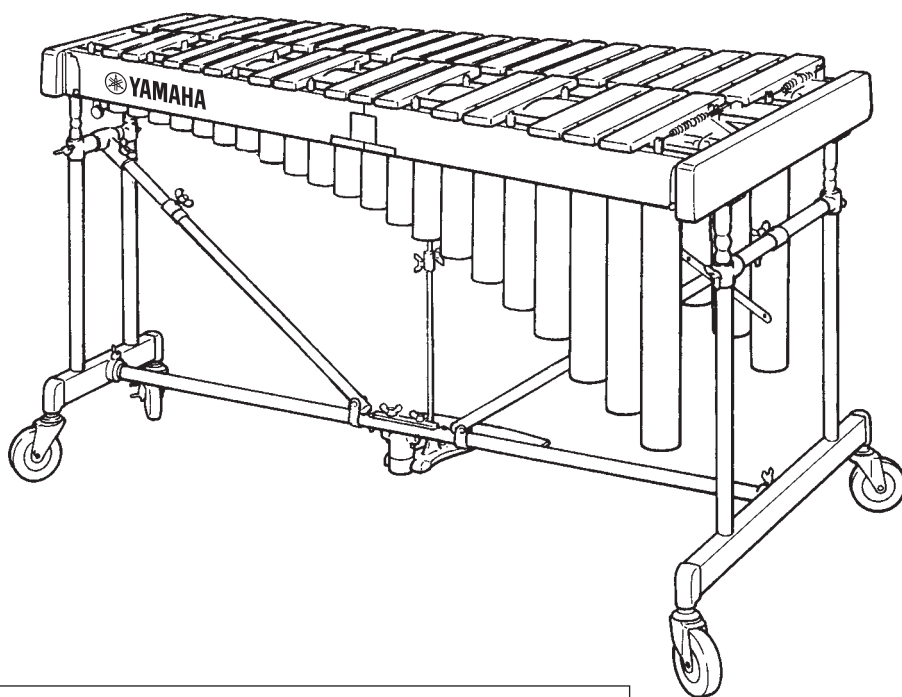


CONCERT VIBRAPHONE

YV-4110(M) YV-3910(M) YV-3710(M) YV-2700(G)

Owner's Manual
Benutzerhandbuch
Mode d'emploi
Manual de instrucciones
Manual do Proprietário
Руководство пользователя
使用说明书
사용설명서
使用説明書



Be sure to read the "PRECAUTIONS" on page 6.
Die „VORSICHTSMASSNAHMEN“ auf Seite 6 lesen.
Veillez à lire les « PRÉCAUTIONS D'USAGE » à la page 6.
Asegúrese de leer "PRECAUCIONES" en la página 6.
Certifique-se de ler as "PRECAUÇÕES" na página 6.
Обязательно прочтите «ПРАВИЛА ТЕХНИКИ БЕЗОПАСНОСТИ» на стр. 6.
请务必阅读第 6 页的“注意事项”。
6 페이지의 “안전 주의사항” 을 반드시 읽어 주십시오.
請務必詳閱第 6 頁的「注意事項」。

FCC INFORMATION (U.S.A.)

- 1. IMPORTANT NOTICE: DO NOT MODIFY THIS UNIT!** This product, when installed as indicated in the instructions contained in this manual, meets FCC requirements. Modifications not expressly approved by Yamaha may void your authority, granted by the FCC, to use the product.
- 2. IMPORTANT:** When connecting this product to accessories and/or another product use only high quality shielded cables. Cable/s supplied with this product **MUST** be used. Follow all installation instructions. Failure to follow instructions could void your FCC authorization to use this product in the USA.
- 3. NOTE:** This product has been tested and found to comply with the requirements listed in FCC Regulations, Part 15 for Class "B" digital devices. Compliance with these requirements provides a reasonable level of assurance that your use of this product in a residential environment will not result in harmful interference with other electronic devices. This equipment generates/uses radio frequencies and, if not installed and used according to the instructions found in the users manual, may cause interference harmful to the operation of other electronic devices. Compliance with FCC regulations does not guarantee that interference will not occur in all installations. If this product is found to be the source of interference, which can be determined by turning the unit "OFF" and "ON," please try to eliminate the problem by using one of the following measures:

- Relocate either this product or the device that is being affected by the interference.
- Utilize power outlets that are on different branch (circuit breaker or fuse) circuits or install AC line filter/s.
- In the case of radio or TV interference, relocate/reorient the antenna. If the antenna lead-in is 300 ohm ribbon lead, change the lead-in to co-axial type cable.

If these corrective measures do not produce satisfactory results, please contact the local retailer authorized to distribute this type of product. If you cannot locate the appropriate retailer, please contact Yamaha Corporation of America, 6600 Orangethorpe Avenue, Buena Park, CA 90620, U.S.A.

The above statements apply **ONLY** to those products distributed by Yamaha Corporation of America or its subsidiaries.

(529-M04 FCC class B YCA 02)

COMPLIANCE INFORMATION STATEMENT (Supplier's declaration of conformity procedure)

Responsible Party: Yamaha Corporation of America
Address: 6600 Orangethorpe Avenue, Buena Park, CA. 90620, U.S.A.
Telephone: 714-522-9011
Type of Equipment: Concert Vibraphone
Model Name: YV-4110(M) YV-3910(M) YV-3710(M) YV-2700(G)

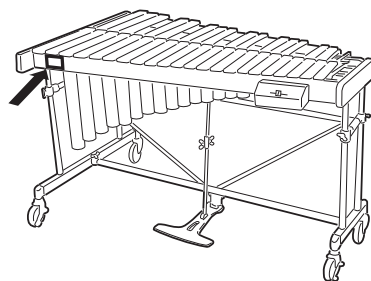
This device complies with Part 15 of the FCC Rules.

Operation is subject to the following two conditions:

- 1) this device may not cause harmful interference, and
- 2) this device must accept any interference received, including interference that may cause undesired operation.

(529-M02 FCC sdoc YCA 02)

The name plate is located on the player side of the product.
Das Typenschild befindet sich an der Spielerseite des Instruments.
La plaque de modèle est située sur le côté musicien du produit.
La placa de identificación está situada en el lado del músico del producto.
A placa de identificação está localizada na lateral do player do produto.
Фирменная табличка изделия расположена на стороне исполнителя.
铭牌位于产品的演奏者侧。
명판은 본 제품의 연주자측에 위치하고 있습니다.
銘牌位於產品的演奏者側。



The model number, serial number, power requirements, etc., are located on this plate. You should record the model number, serial number, and the date of purchase in the spaces provided at right and retain this manual as a permanent record of your purchase.

Model No. _____

Serial No. _____

Purchase Date _____

Information for users on collection and disposal of old equipment and used batteries:



These symbols on the products, packaging, and/or accompanying documents mean that used electrical and electronic products and batteries should not be mixed with general household waste. For proper treatment, recovery and recycling of old products and used batteries, please take them to applicable collection points, in accordance with your national legislation.

By disposing of these products and batteries correctly, you will help to save valuable resources and prevent any potential negative effects on human health and the environment which could otherwise arise from inappropriate waste handling.



For more information about collection and recycling of old products and batteries, please contact your local municipality, your waste disposal service or the point of sale where you purchased the items.

For business users in the European Union:

If you wish to discard electrical and electronic equipment, please contact your dealer or supplier for further information.



Information on Disposal in other Countries outside the European Union:

These symbols are only valid in the European Union. If you wish to discard these items, please contact your local authorities or dealer and ask for the correct method of disposal.

Cd

Note for the battery symbol (bottom two symbol examples):

This symbol might be used in combination with a chemical symbol. In this case it complies with the requirement set by the EU Battery Directive for the chemical involved.

(58-M03 WEEE battery en 01)

Información para usuarios sobre la recogida y eliminación de los equipos antiguos y las pilas usadas



Estos símbolos en los productos, embalajes y documentos anexos significan que los productos eléctricos y electrónicos y sus pilas no deben mezclarse con los desperdicios domésticos normales.

Para el tratamiento, recuperación y reciclaje apropiados de los productos antiguos y las pilas usadas, llévelos a puntos de reciclaje correspondientes, de acuerdo con la legislación nacional.

Al deshacerse de estos productos y pilas de forma correcta, ayudará a ahorrar recursos valiosos y a impedir los posibles efectos desfavorables en la salud humana y en el entorno que de otro modo se producirían si se trataran los desperdicios de modo inapropiado.



Para obtener más información acerca de la recogida y el reciclaje de los productos antiguos y las pilas, póngase en contacto con las autoridades locales, con el servicio de eliminación de basuras o con el punto de venta donde adquirió los artículos.

Para los usuarios empresariales de la Unión Europea:

Si desea desechar equipos eléctricos y electrónicos, póngase en contacto con su vendedor o proveedor para obtener más información.



Información sobre la eliminación en otros países fuera de la Unión Europea:

Estos símbolos solamente son válidos en la Unión Europea. Si desea desechar estos artículos, póngase en contacto con las autoridades locales o con el vendedor y pregúnteles el método correcto.

Cd

Nota sobre el símbolo de pila (dos ejemplos de símbolos en la parte inferior):

Este símbolo se puede utilizar en combinación con un símbolo químico. En este caso, cumple el requisito establecido por la Directiva de la UE sobre pilas correspondiente a la sustancia química utilizada.

(58-M03 WEEE battery es 01)

PRECAUTIONS

Please follow the following instructions to ensure that you are using your vibraphone in a safe manner.
A responsible adult should provide proper instruction on how to properly use and treat the instrument before allowing a child to play the instrument.

**In order to prevent fire, electric shock, or injury,
make sure that all precautions described below are followed.**



WARNING

Disregarding warnings denoted with this mark and misusing the product could possibly lead to death or serious injury.

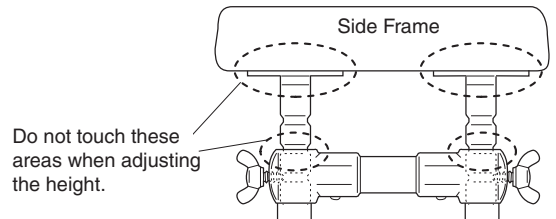
- Before using the vibraphone, please thoroughly read the following instructions and the Owner's Manual.
- Do not dismantle or modify the vibraphone's controller or driver. Doing so could cause fire or electric shock.
- Repairs or part replacement should not be attempted unless instructions are provided in the manual.
- Do not use or store the instrument in any of the following locations. Doing so could cause fire or electric shock.
 - Places subject to high temperatures (near a heating device or in direct sunlight, etc.).
 - Places in which the instrument may be exposed to moisture (bathroom, on wet floors, etc.) or excessive humidity.
 - Places in which the instrument may be exposed to rain.
 - Places with excessive dust.
 - Places subject to excessive vibration.
- When using the AC adapter, do not bend the power cord excessively, or place heavy objects on the cord. Doing so may damage the cord and cause fire or electric shock.
- Do not play or roughhouse around the instrument. Bumping into the instrument could cause injury. It could also cause the instrument to overturn. Do not allow children to play around the instrument.
- Do not lean against or climb onto the instrument. Doing so could cause the instrument to overturn and result in serious injury.
- Never put foreign objects (combustible objects, coins, wire, etc.) or liquids (water, juice, etc.) in the drive unit. Doing so could cause fire and electric shock.
- If one of the following occurs, turn off the power, unplug the AC adapter and request repair as soon as possible.
 - If the AC adapter or power cord becomes damaged.
 - If foreign objects or liquids have entered the drive unit.
 - If the drive unit gets wet (rain, etc.).
 - If the drive unit operates abnormally or is broken.
- Never place the instrument on a sloping or unstable surface or platform, etc. Doing so could cause the instrument to overturn and result in injury.
- When moving the instrument on its casters,
 1. Only move across smooth, flat surfaces. Hold the instrument by its side frames and push forward slowly.
 2. Avoid moving the instrument on surfaces that are sloped or uneven. The instrument could overturn, run out of control, and create a dangerous hazard.
 3. Never run with the instrument. The instrument may become impossible to control and crash into a wall causing serious injury.
- If the instrument must be lifted or carried, do so with two or more people using both hands to lift it by the side frames.



CAUTION

Disregarding warnings denoted with this mark and misusing the product could result in injury or property damage.

- Do not use the instrument in locations with poor ventilation.
- Never pull on the cord when disconnecting the AC adapter from an outlet. Always hold the AC adapter when connecting or disconnecting the power.
- Always disconnect the AC adapter from the outlet when the instrument is not used for an extended period of time.
- Always use an AC adapter that meets Yamaha specifications. The use of any other AC adapter could cause damage.
- Never place your hands or feet underneath the pedal. Doing so could result in pinched hands or feet.
- Never touch the rotating fans. Doing so could result in pinched fingers, etc.
- Never use the mallets for anything other than playing the instrument. Doing so could result in injury or accidents. Do not allow children to use the mallets in any way that may pose a danger to themselves or others.
- Lock the stoppers on the casters when the instrument is not in use.
- When adjusting the playing surface height (described on page 19), make sure that the procedure is performed by at least two persons. Attempting to adjust the height alone could result in the instrument overturning, creating a dangerous hazard.
- Never touch the areas shown below when adjusting the height. Doing so can result in pinched hands. Be sure to hold the side frame when making height adjustments.



- Tighten bolts securely after determining the desired height. Using the instrument with loose bolts could result in the instrument collapsing, noisy operation, or other problems. Tighten the bolts periodically.

NOTICE

To avoid the possibility of damage to the product, follow the notices below.

● Do Not Use Outdoors

Avoid using the instrument outdoors. Avoid exposure to rain or moisture.

● Handling

- Do not use hard orchestra bell mallets or other hard objects on your vibes. The resulting dents or scratches in the tone bars could impair the sound.
- Rough handling of the controller and/or the driver could cause damage to the internal circuitry.

● Moving and Transporting the Instrument

- Move the instrument carefully to avoid any impact. Before moving the instrument, make sure that the AC adapter is disconnected and the caster brakes are released. In addition, be sure to lift the instrument slightly when moving over rough surfaces.
- When the instrument must be transported to a different location, be sure to fully disassemble it, taking care to pack each component properly. Disassembly steps are in the reverse order of assembly.

● Maintenance

The tone bars should be polished from time to time using a soft and dry cloth or silicone cloth. Stains that cannot be removed with a dry cloth may be wiped off using a small amount of ethyl alcohol. Never use thinner or benzene or a wet cloth for cleaning purposes.

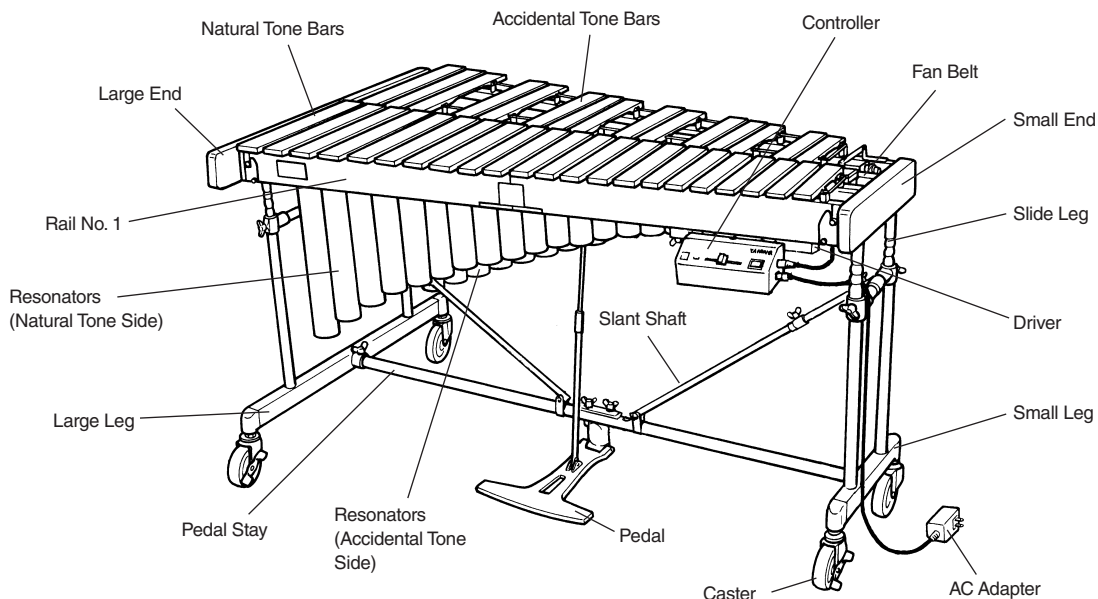
● Keep This Manual for Future Reference

After reading, keep this manual in a safe place.

● Assembly Cautions

- When assembling or disassembling the instrument, follow the procedure outlined in this manual. Assembly in the wrong order may impair the performance and functionality of the instrument or result in noisy operation.
- Make sure to adjust the wire clip positions after assembly. YV-4110(M) YV-3910(M) YV-3710(M) page 19)
- Height adjustment of the striking surface (YV-4110(M) YV-3910(M) YV-3710(M): page 19; YV-2700(G): page 25) should be performed by **AT LEAST 2 PERSONS**.
- After final adjustment of the legs, the fixing screws must be tightened securely to prevent loosening. Looseness may cause the instrument to shift during performance and could also result in noisy operation and other problems. Retighten the screws periodically.

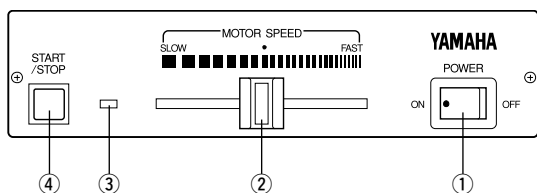
Nomenclature



* The illustration shows model YV-3710.

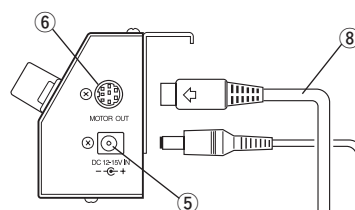
■ Vibes Drive Unit

● Controller (Player Side)

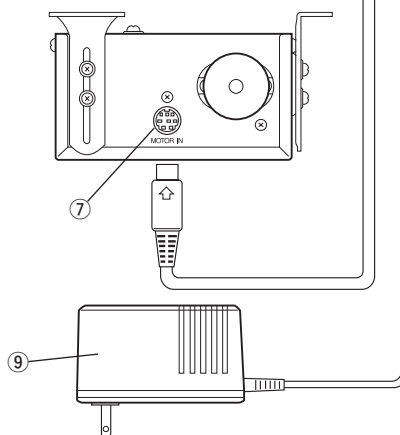


- ① **POWER Switch**
Turns the power on and off.
- ② **MOTOR SPEED Slider**
Controls the fan rotation speed.
- ③ **LED Indicator**
Lights when the power is turned on and flashes while the fan is rotating.
- ④ **START/STOP Button**
Starts and stops fan rotation.

● Controller (Right Side)



● Driver (Player Side)



Package Contents

The shipping carton for your vibraphone should contain the parts shown below.

* The rails and resonators in the packages are folded.

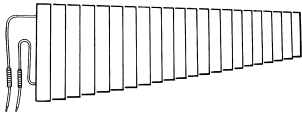
Before assembling the instrument, confirm that all listed parts are included.

* In the event that a part is missing, please contact the shop where the instrument was purchased.

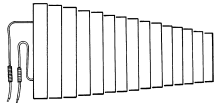


• Be careful not to get your fingers caught when opening the rail and resonator packages.

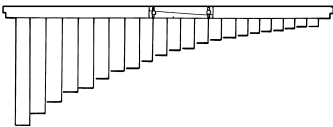
① Natural Tone Bars x 1



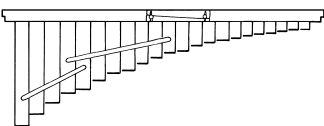
② Accidental Tone Bars x 1



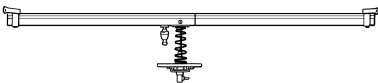
③ Resonators (Natural Tone Side) x 1



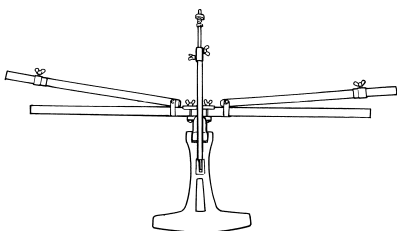
④ Resonators (Accidental Tone Side) x 1



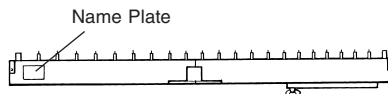
⑤ Sustain Damper x 1



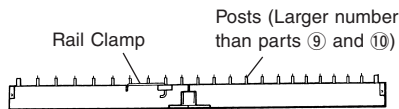
⑥ Pedal Stay x 1



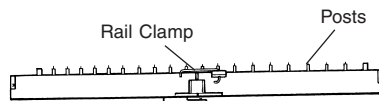
⑦ Rail (1) : Player Side x 1



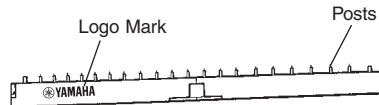
⑧ Rail (2) : Player Side x 1



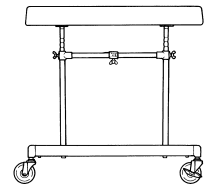
⑨ Rail (3) : Audience Side x 1



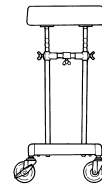
⑩ Rail (4) : Audience Side x 1



⑪ Large Leg x 1



⑫ Small Leg x 1



⑬ AC Adapter x 1



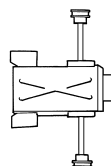
* May not be included depending on your particular area.

⑭ Synchro Belt (Fan Belt) x 2

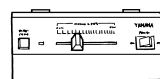


Vibes Drive Unit: YVM-300

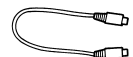
⑮ Driver x 1



⑯ Controller x 1



⑰ 8P DIN Cable x 1



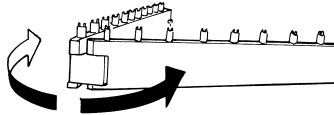
Package Contents

■ Dividable Parts and Collapsible Parts

The larger parts of the YV-4110(M) YV-3910(M) YV-3710(M) are designed to be either collapsible or easy to divide into smaller components. When the instrument is broken down, its compact size makes it easy to transport and storage requires a minimum amount of space.

● Rails

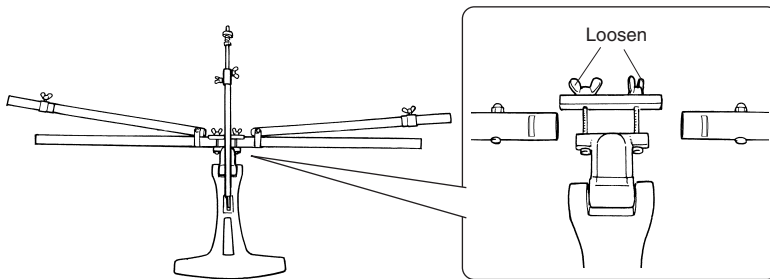
The rails fold in from the center.



● Pedal Stay

The pedal stay divides into left and right sections, plus the pedal itself.

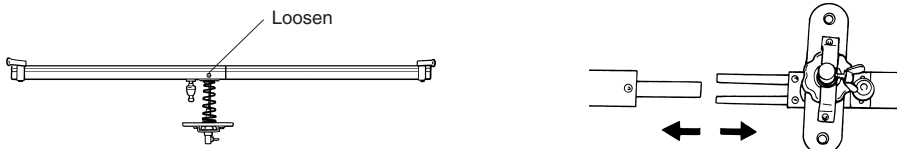
Loosen the two wing nuts and remove the stays from the pedal attachment.



● Sustain Damper

The sustain damper divides into two sections.

Loosen the bolt and separate the left and right sections.

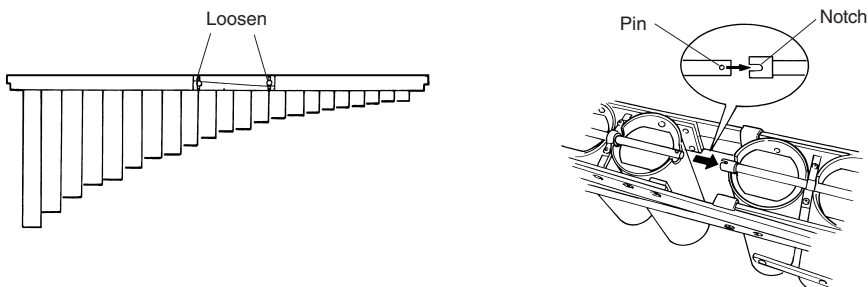


● Resonators

Both resonators divide into two sections.

Loosen both bolts and separate the left and right sections.

* When assembling the resonators, make sure that the pin and notch are properly aligned.



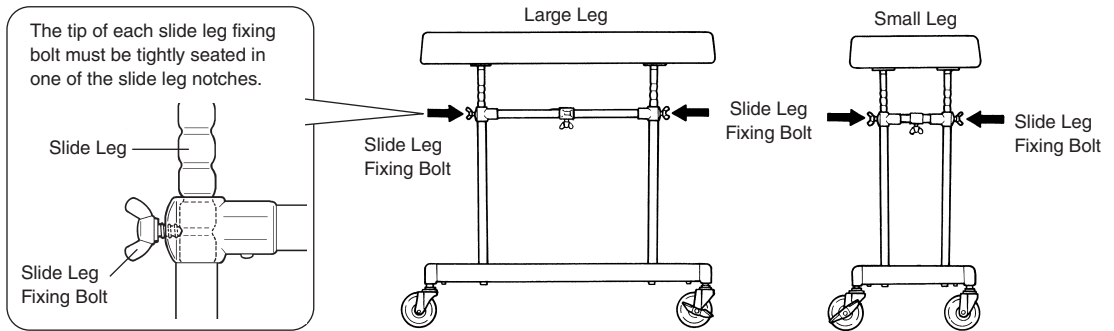
Assembly



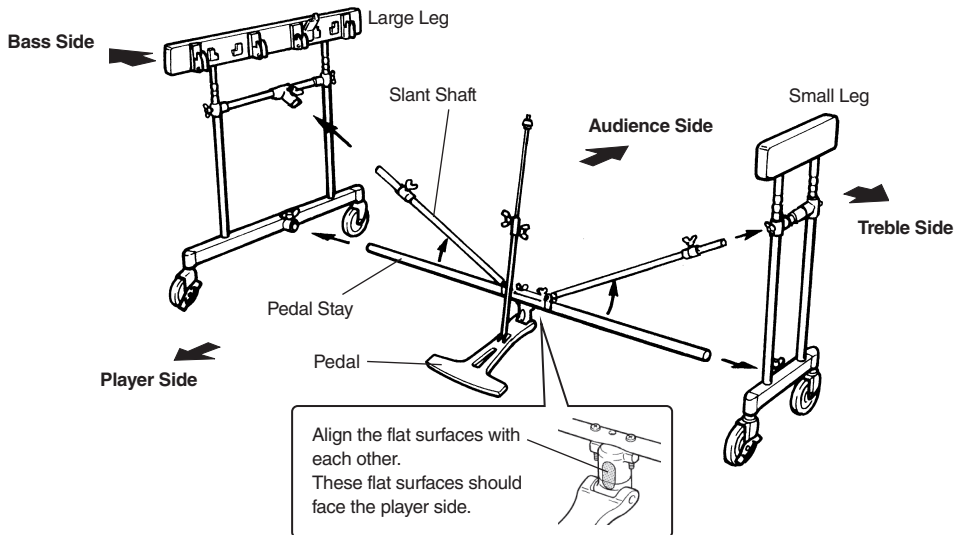
- For safety, assembly should be performed by two or more people in a place that provides sufficient space.
- Be careful not to pinch your fingers when assembling the instrument. In particular, when assembling the rails and resonators, two people should work together while checking each step carefully.

1 Connect the large and the small leg using the reinforcement stay and pedal stay.

- * Before proceeding, make sure that the slide leg fixing bolts of the large and small leg are securely fastened.



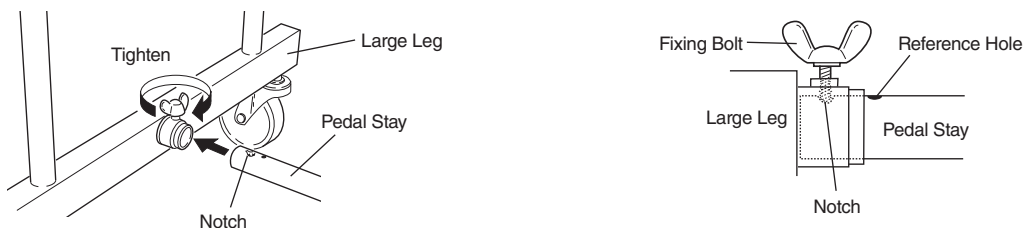
1-1 Place the large leg, small leg, and pedal stay so that after assembly each part will be positioned as illustrated.



1-2 Insert the pedal stay with its notch facing up into the lower joint of the large leg as far as it will go (aligning the notch with the fixing bolt) and tighten the fixing bolt securely.

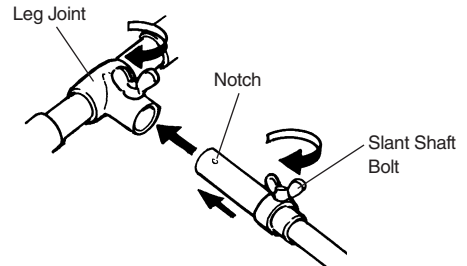
- * The hole next to the notch serves as a reference for the correct insertion position.

1-3 Connect the other ends of the pedal stay with the small leg in the same way.



Assembly

- 1-4** Loosen the slant shaft bolt, extend the shaft and insert the shaft end into the leg joint. With the notch aligned with the fixing bolt (the same as in the pedal stay assembly) tighten the fixing bolt securely.
- 1-5** Connect the other side slant shaft with the small leg in the same way.

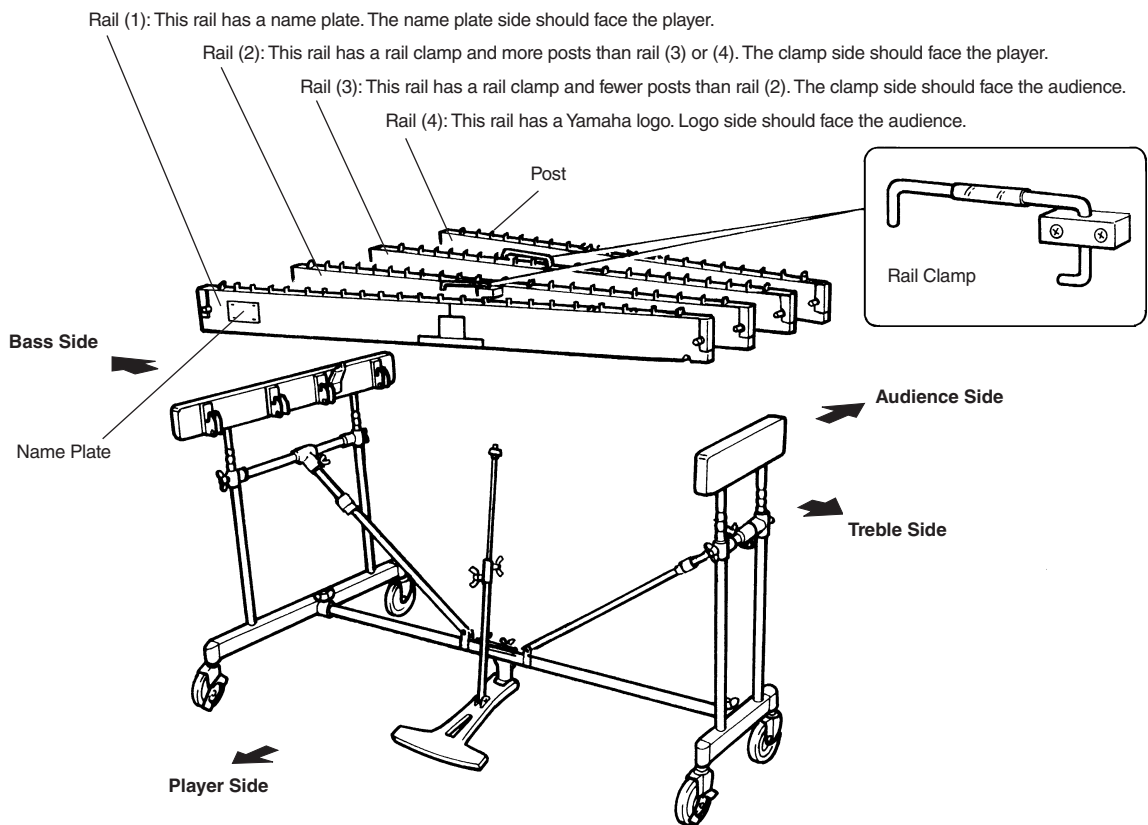


2 Insert rails (1) through (4) into the legs.

- 2-1** First, insert rail (2).

* Do not insert the rail entirely one side at a time, but at first alternately push in the left and right sides little by little, after which the rail can be pushed down until it stops.

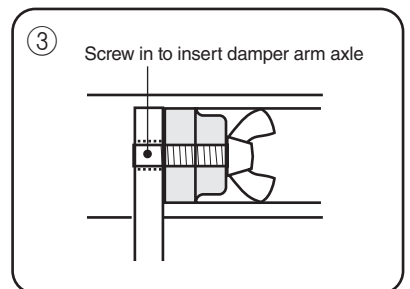
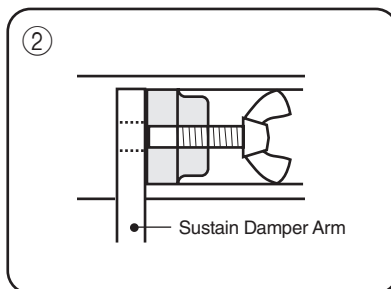
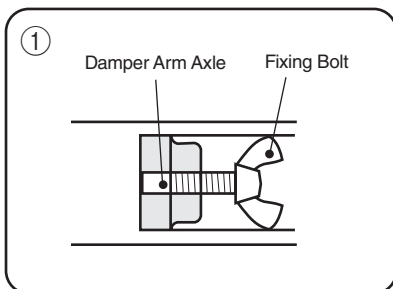
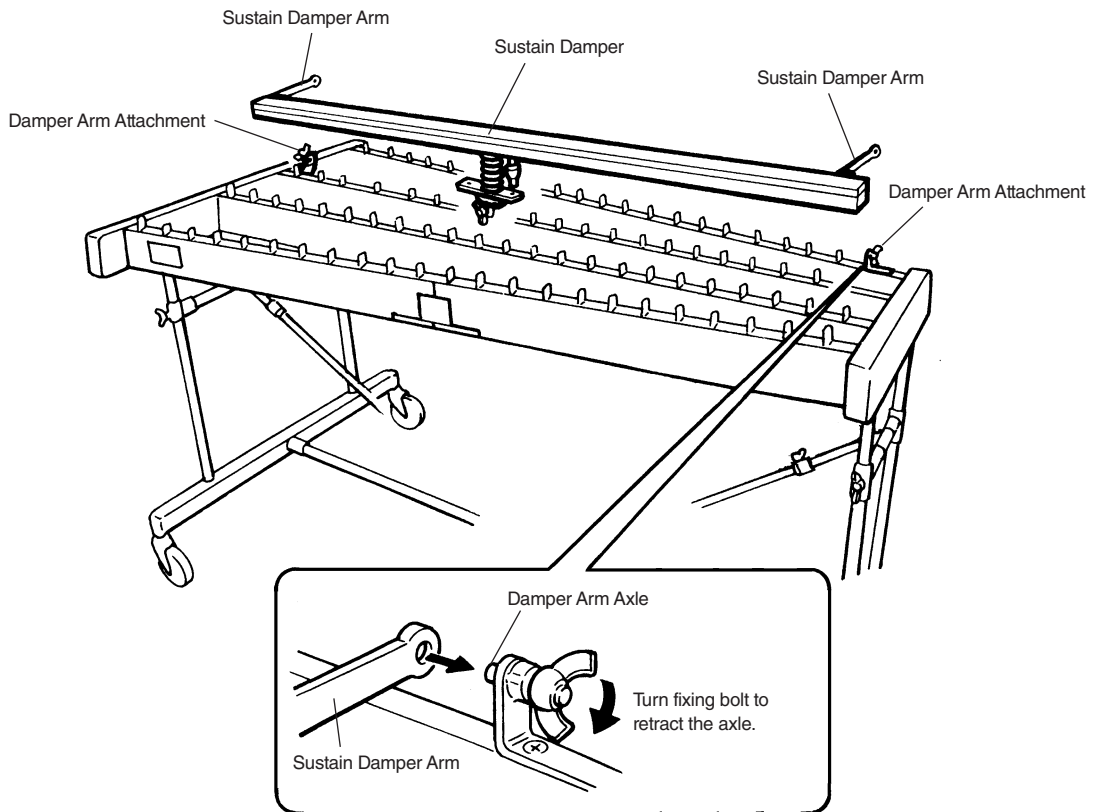
- 2-2** Next, securely insert rails (3), (1) and (4), in this order.



* The illustration shows model YV-3710.

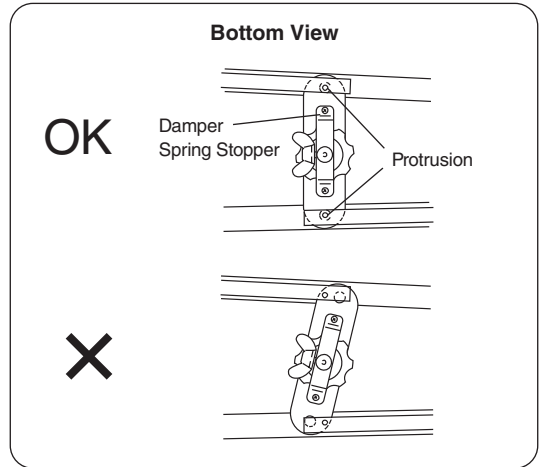
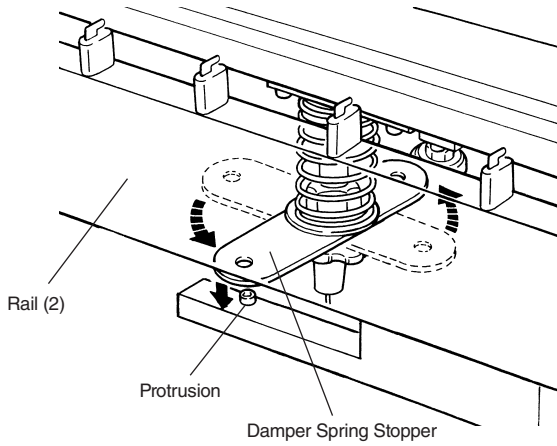
3 Attach the sustain damper.

- 3-1**
- ① Turn the fixing bolt (damper arm axle) of the damper arm attachment counterclockwise until the axle has fully disappeared in the attachment hole.
 - ② Align the damper arm hole with the damper arm axle.
 - ③ Turn the fixing bolt of the damper arm attachment clockwise to insert the damper arm axle into the sustain damper arm.

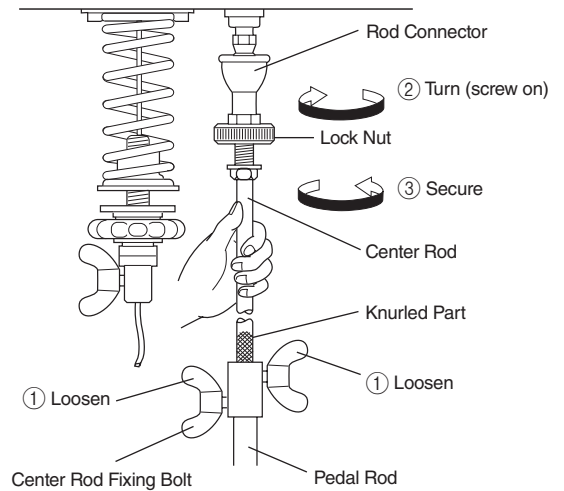


Assembly

- 3-2** Align the holes in both ends of the damper spring stopper with the protrusions of the fittings on the bottom surfaces of rails (2) and (3) and insert the protrusions into the holes.



- 3-3**
- ① Loosen the center rod fixing bolts to extend the center rod.
 - ② Connect the center rod with the fitting of the rod connector by firmly holding the center rod while turning the rod connector.
 - ③ Tighten the rod connector until it stops, and then secure it with the lock nut.

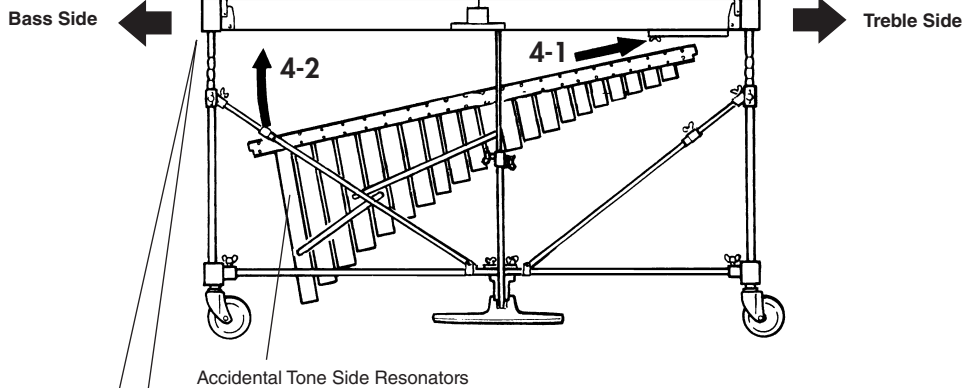
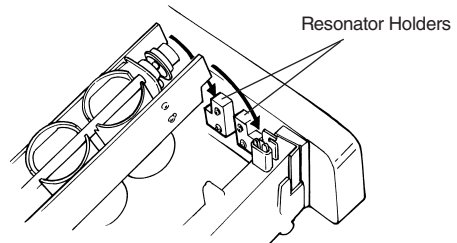


4 Attach the resonators.

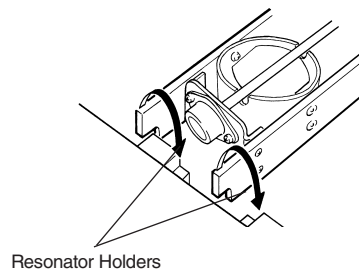
Insert the resonators from underneath the frame. First, rest the small end and then the large end onto the resonator holders (rubber).

- NOTICE**
- Be careful not to confuse the natural tone side and accidental tone side resonators.
 - Be careful not to bump the resonators against the legs, etc.

- 4-1** First, place the small end onto the corresponding resonator holders.



- 4-2** To engage the large end, lift it over the resonator holders and then insert it into the gap between the two holders, as shown in the illustration.



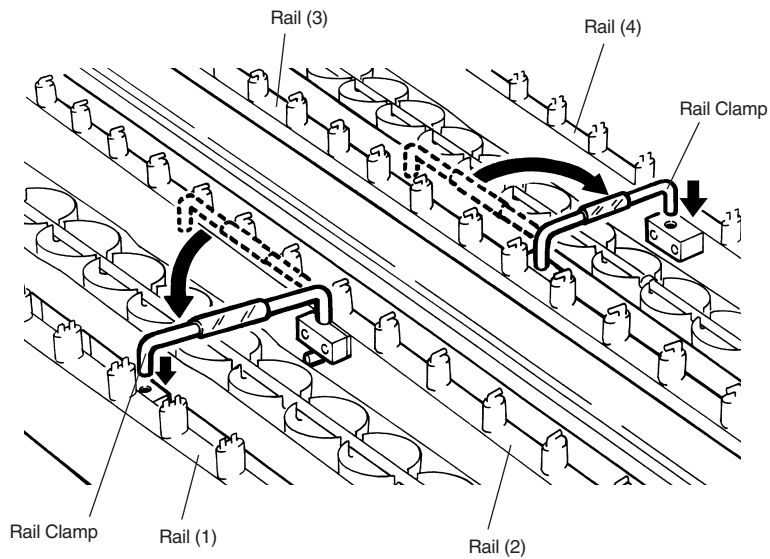
Assembly

5 Set the tone bars.

5-1 (Refer to the illustration of step 3-3)

Raise the pedal until the knurled part is fully retracted, and fix the center rod by tightening the center rod fixing bolt.

5-2 Engage the rail clamp on rail (2) and rail (3) with rail (1) and rail (4), respectively.

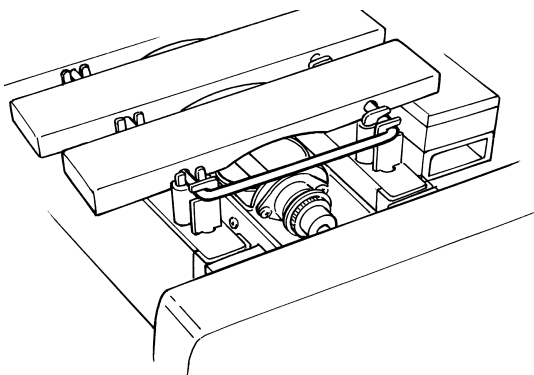


5-3 Hold the pedal depressed to keep the sustain damper lowered, and then carefully set the tone bars.

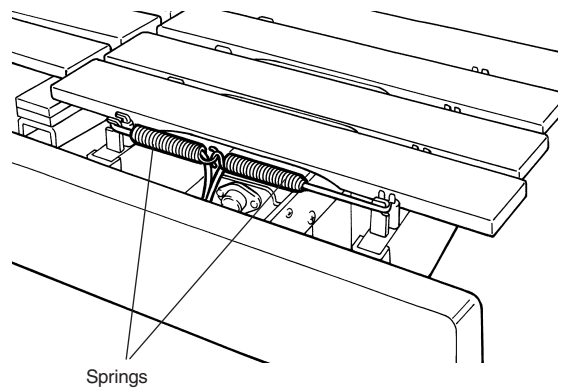
Align each tone bar individually, and hook its string onto the corresponding post.

Confirm that all strings are secured to their posts, and then hook the two springs at the large end into each other.

Bass Side



Treble Side

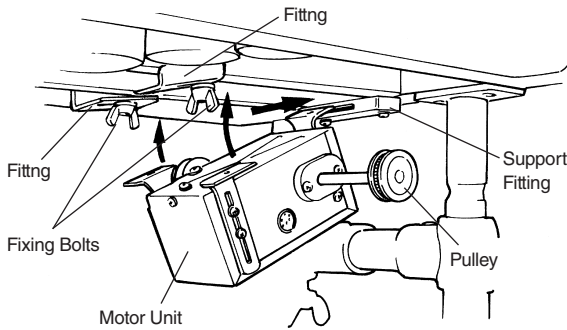


Springs

6 Attach the driver.

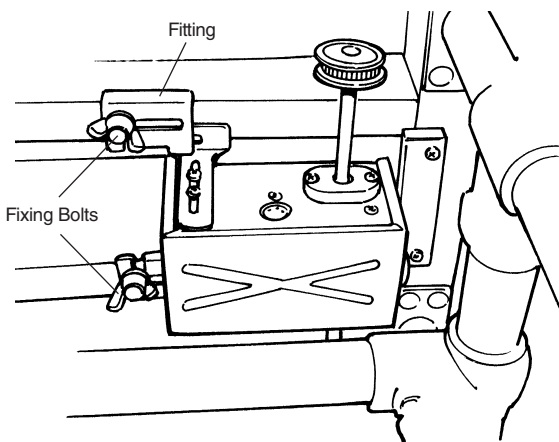
6-1 Loosen the fixing bolts at the bottom of rails (2) and (3) on the small end, and slide both fittings in the direction of the large end.

6-2 Fully insert the driver mount into the support fitting.



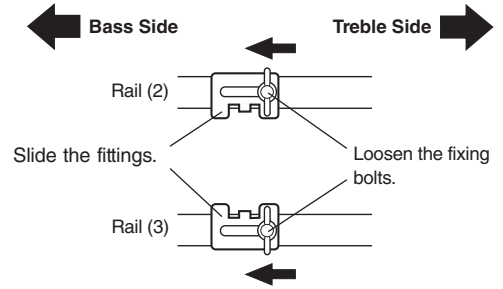
6-3 Slide the fittings moved in step 6-1 back in the direction of the small end. Engage the two side mounts on the driver securely with the fittings, and then tighten the fixing bolts to fasten the driver.

* Set the driver so that the pulleys on either side are positioned directly below the fan side pulleys.



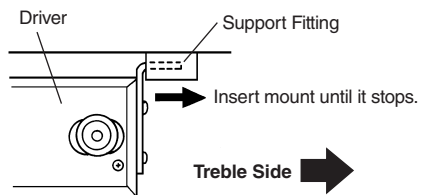
6-1

Bottom View



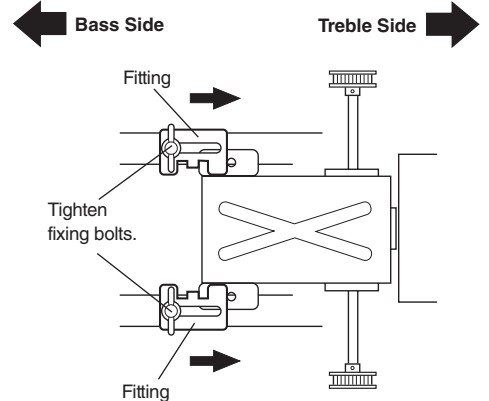
6-2

Side View



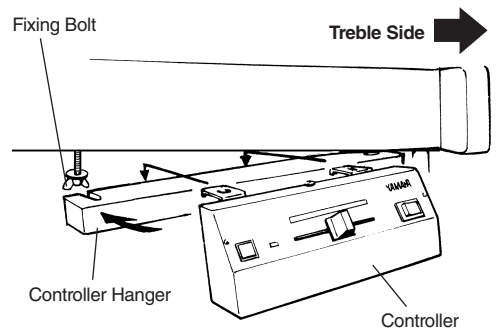
6-3

Bottom View



7 Attach the controller.

Loosen the fixing bolt, slide out the controller hanger and hang the controller on the hanger. Return the controller hanger to its proper position and tighten the fixing bolt.



Assembly

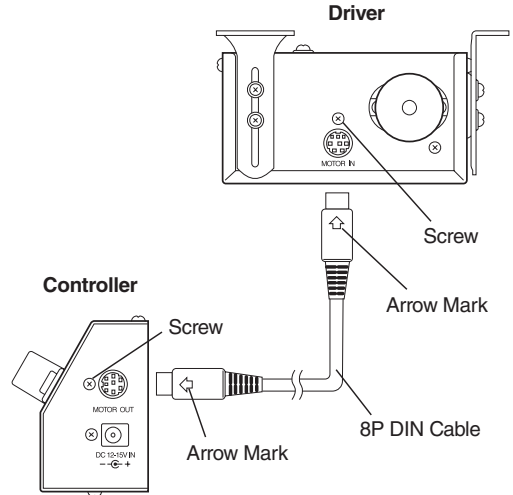
8 Connect the driver with the controller.

Connect the MOTOR IN terminal of the driver with the MOTOR OUT terminal of the controller using the supplied 8P DIN cable*.

To connect them, align the arrow mark (➡) on the plug with the screw next to the jack.

* In case the 8P DIN cable is misplaced, the following spare part may be ordered:

Part No.	Part Name	Specification
W5172200	8P DIN Cable	L=220



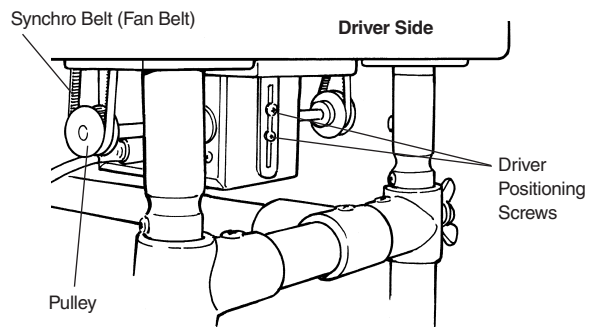
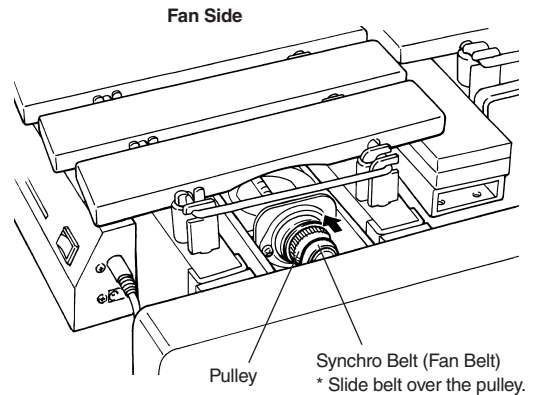
9 Set the synchro belts (fan belts).

First, wrap the synchro belt around the driver pulley and then carefully slide it over the fan side pulley.

If the belt cannot be mounted because the distance between the pulleys is too wide, or the belt slips due to a pulley distance that is too narrow, loosen the two driver positioning screws (see illustration at right) to adjust the pulley distance (belt tension). Tighten the screws securely after adjustment.

* In case the belt is misplaced or worn, the following spare part may be ordered:

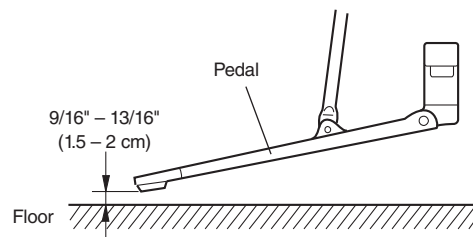
Part No.	Part Name	Specification
W5128092	Synchro Belt	18OTN15-3.0



10 ADJUSTMENTS

10-1 Pedal Stroke Adjustment

Loosen the center rod fixing bolts to adjust the protruding length of the center rod to the desired pedal stroke, and retighten the bolts. The recommended stroke (distance between pedal and floor) is 9/16" to 13/16" (1.5 to 2 cm).



10-2 Wire Clip Adjustment

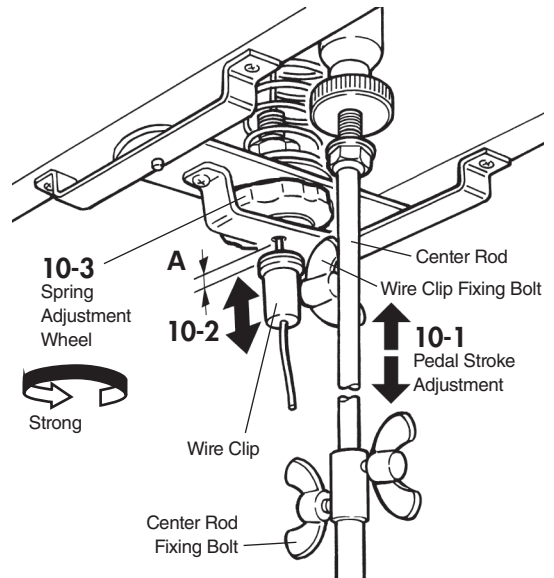
To facilitate packing the unit for shipping, the wire clip is initially set at a low position. For normal use this clip should be adjusted as follows: With the pedal released, loosen the fixing bolt of the wire clip, shift the clip up until distance **A** in the illustration at right is 1/16" to 1/8" (1 to 3 mm), and tighten the fixing bolt in this position.

The clip also allows you to set the instrument to "half sustain damper" (slight continuous damper effect) or "open damper"* by changing its position accordingly.

- * To set to "open damper," depress the damper pedal fully to keep the damper open, and set the wire clip to the highest position to lock the damper.

10-3 Damper Spring Adjustment

The damper effect (its pressing force on the tone bars) and the pedal force can be increased by turning the spring adjustment wheel counterclockwise.



10-4 Tone Bar Height Adjustment



- When adjusting the tone bar height, be sure to have two people supporting the frame, one at each end using both hands.

To adjust the height of the tone bars, first remove the synchro belt, driver, controller, tone bars, and resonators in reverse order following steps 9, 8, 7, 6, 5, and 4, and loosen the center rod fixing bolts.

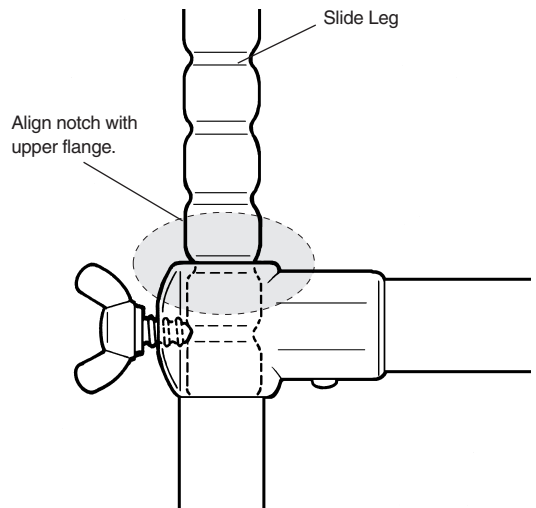
Loosen the slide leg fixing bolts on the small and large legs, while supporting the frame ends by hand.

Lift the frame ends to the desired height and then securely tighten each fixing bolt, aligning it with the corresponding notch on the slide leg. Bolt and notch are aligned when the next higher notch is flush with the upper leg flange.

- * The fourth notch from top corresponds to the standard height setting.



- Do not touch the slide legs during adjustment. Otherwise, your fingers may get caught and be injured.
- If you tighten the bolts at any location other than at the notches, the slide legs may slip, which can be dangerous.



Upon completion of assembly, check to make sure that each bolt is tightened securely.

Before Playing

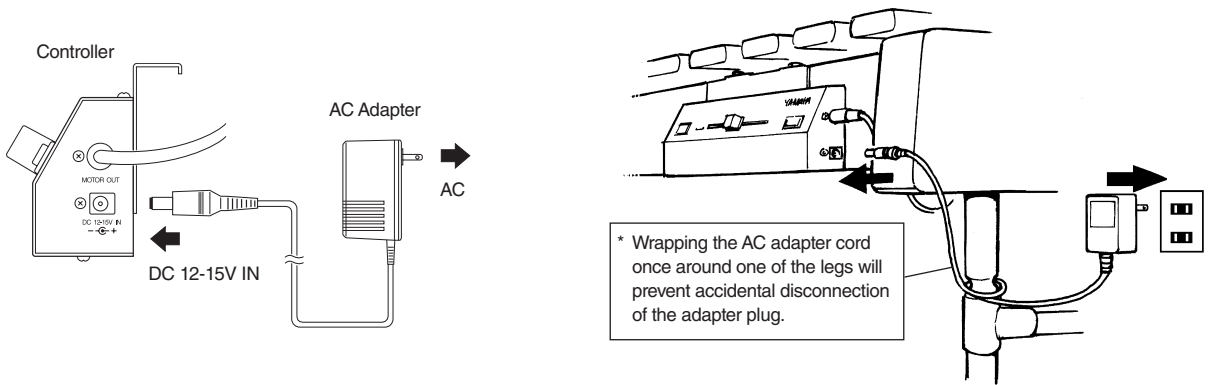
■ Power Supply

Prepare the supplied AC adapter.



- Be sure to use the supplied AC adapter. Using a different adapter may cause damage not covered by the warranty.

- 1 Connect the small plug of the AC adapter to the DC 12-15V IN jack on the controller.
- 2 Plug the AC adapter into a power outlet.

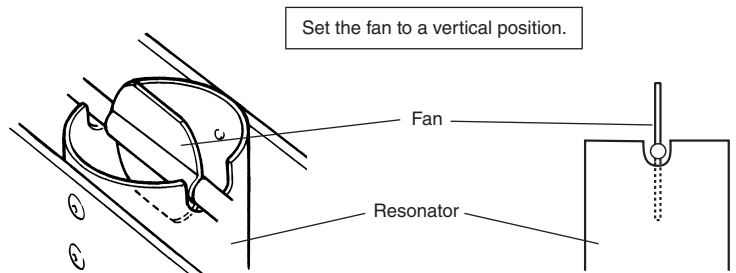
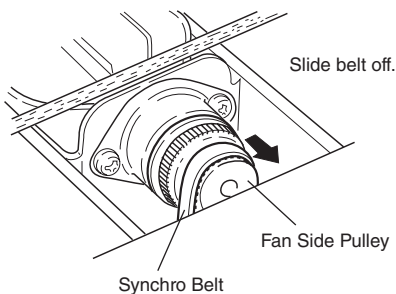


■ Pause Memory Function Setting (YV-4110(M) YV-3910(M) YV-3710(M) only)

The YV-4110(M), YV-3910(M), and YV-3710(M) are equipped with a PAUSE MEMORY FUNCTION that stops the fan always in exactly the same position as when it was turned off (no vibrato applied).

After connecting to an AC outlet, set the PAUSE MEMORY to the desired fan stop position as follows:

- 1 Turn the controller power ON.
- 2 Press the START/STOP button once to start the fan, and then press the START/STOP button again to stop the fan.
- 3 Remove the synchro belt by sliding it off the fan side pulley, as shown in the illustration. Position the fan vertically (fan position with strongest resonator effect) and remount the belt. Perform this setting for both the natural and the accidental tone side.



Package Contents

The shipping carton for your vibraphone should contain the parts shown below.

* The rails and resonators in the packages are folded.

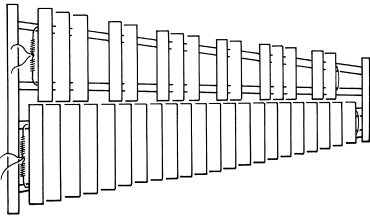
Before assembling the instrument, confirm that all listed parts are included.

* In the event that a part is missing, please contact the shop where the instrument was purchased.

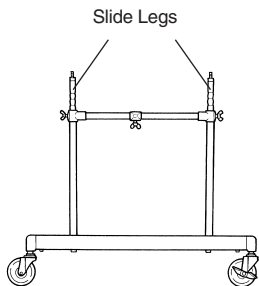


- Be careful not to get your fingers caught when opening the rail and resonator packages.

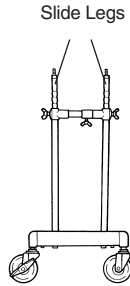
① Vibes Main Unit x 1



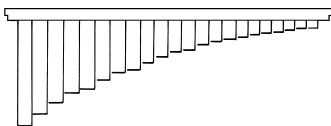
② Large Leg x 1



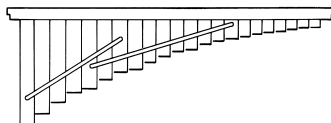
③ Small Leg x 1



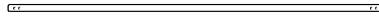
④ Resonators (Natural Tone Side) x 1



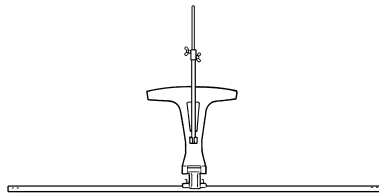
⑤ Resonators (Accidental Tone Side) x 1



⑥ Reinforcement Stay x 1



⑦ Pedal Stay x 1

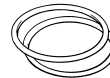


⑧ AC Adapter x 1



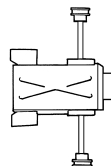
May not be included depending on your particular area.

⑨ Round Belt (Fan Belt) x 2

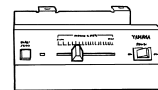


Vibes Drive Unit: YVM-200 YVM-100

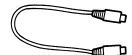
⑩ Driver x 1



⑪ Controller x 1



⑫ 8P DIN Cable x 1

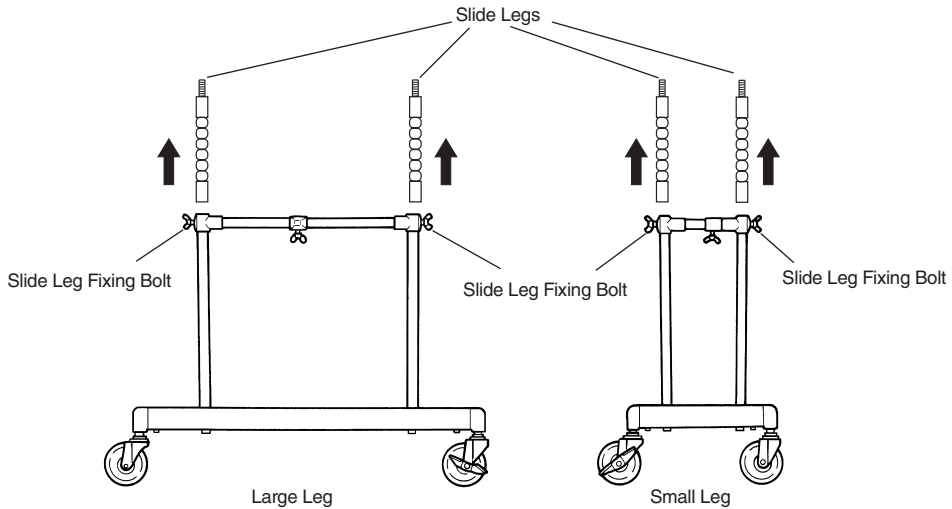


Assembly



- For safety, assembly should be performed by two or more people in a place that provides sufficient space.
- Be careful not to pinch your fingers when assembling the instrument. In particular, when assembling the rails and resonators, two people must work together while checking each step carefully.

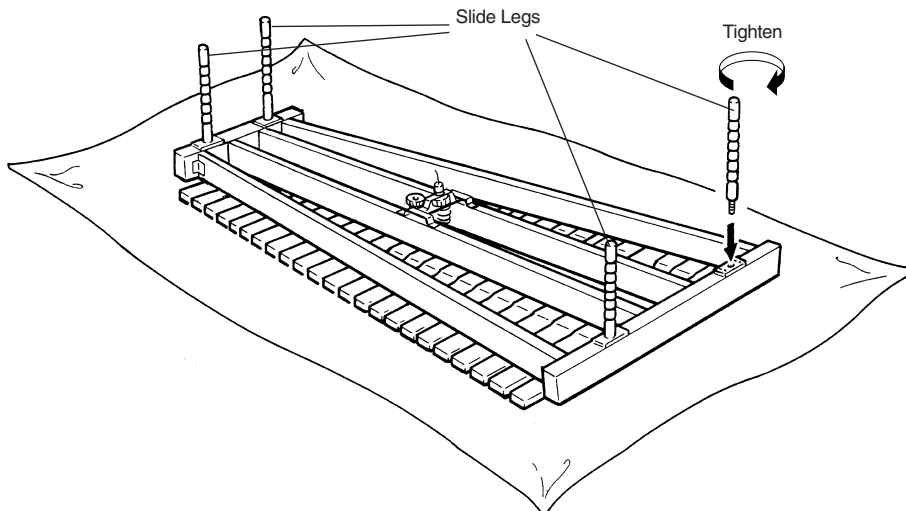
1 Loosen the slide leg fixing bolts of the large and the small leg, and remove the four slide legs.



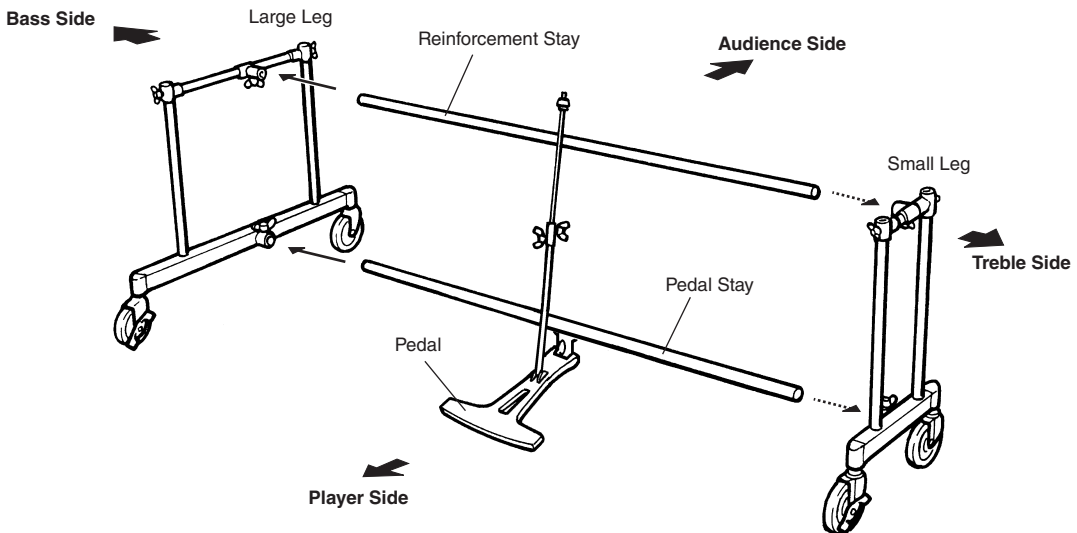
* The illustrations show model YV-2700.

2 Place the main unit bottom side up on the floor.

3 Screw each slide leg into the screw hole on the bottom side of the main unit. (All four slide legs are identical.)



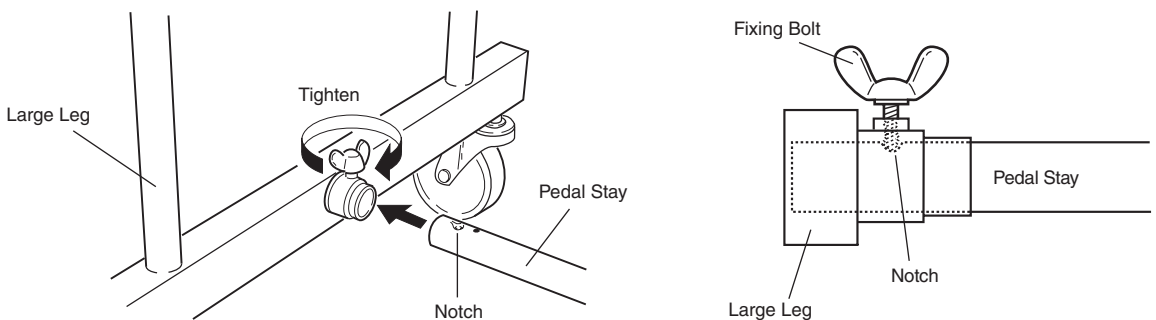
- 4** Place the large leg, small leg, pedal stay and reinforcement stay so that after assembly each part will be positioned as illustrated.



- 5** Connect the large leg and small leg with the pedal stay and the reinforcement stay. Insert the pedal stay with its notch facing up into the lower joint of the large leg as far as it will go (aligning the notch with the fixing bolt) and tighten the fixing bolt securely.

* The hole next to the notch serves as a reference for the correct insertion position.

- 6** In the same way, insert the reinforcement stay with its notch facing down into the upper joint of the large leg and tighten the fixing bolt.
- 7** Connect the other ends of both stays with the small leg in the same way.



Assembly

8 Connect the slide legs with the small and large legs.

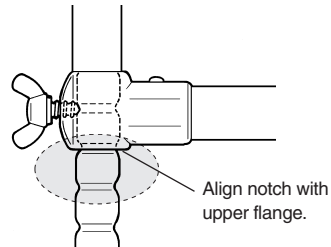
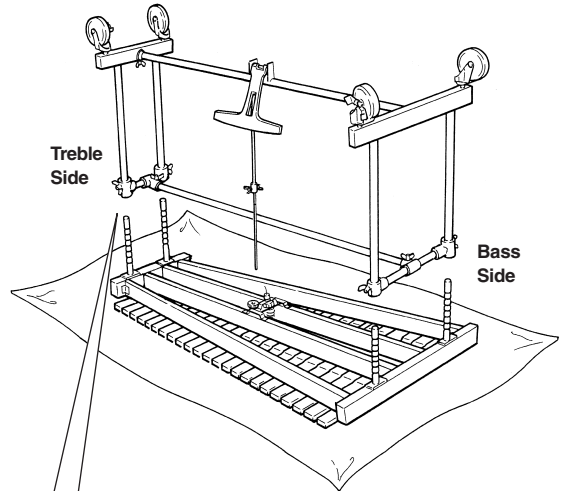


- When adjusting the tone bar height, be sure to have two people supporting the frame, one at each end using both hands.

Align the legs from above so that the slide legs slide into the corresponding leg holes. Adjust to the desired height and then securely tighten each slide leg fixing bolt, aligning it with the corresponding notch of the slide leg. Fixing bolt and notch are aligned when the next lower notch is flush with the upper leg flange.



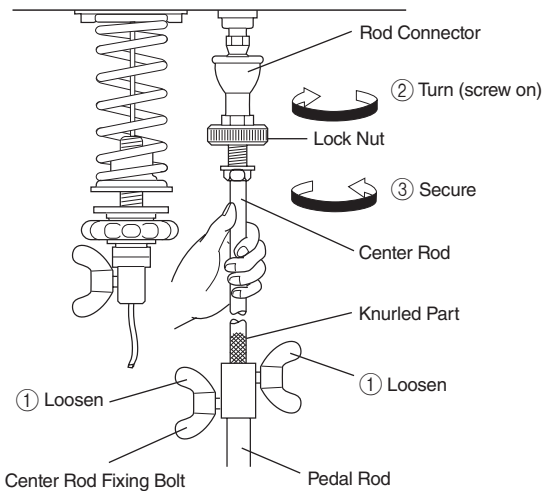
- Do not touch the slide legs during adjustment. Otherwise, your fingers may get caught and be injured.
- If you tighten the bolts at any location other than at the notches, the slide legs may slip, which can be dangerous.



* The fourth notch from the tone bar side corresponds to the standard height setting.

9 After fixing the legs, connect the pedal with the sustain damper.

- ① Loosen the center rod fixing bolts to extend the center rod.
- ② Connect the center rod with the fitting of the rod connector by firmly holding the center rod while turning the rod connector.
- ③ Tighten the rod connector until it stops, and then secure it with the lock nut.



10 Stand up the vibes, and attach the resonators.

(Refer to YV-4110(M) YV-3910(M) YV-3710(M) assembly step 4 on page 15.)

11 Mount the driver and the controller, and connect them using the supplied 8P DIN cable.

(Refer to YV-4110(M) YV-3910(M) YV-3710(M) assembly steps 6 through 8 on pages 17 and 18.)

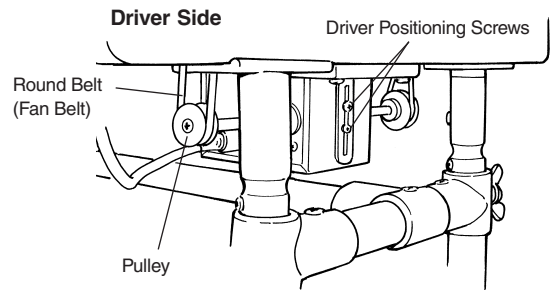
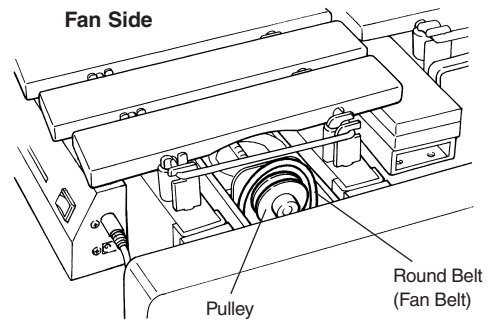
12 Attach the round belt (fan belt).

Slip the round belt (fan belt) over the fan side pulley first, and then pull it over the flange of the driver pulley.

If the belt cannot be mounted because the distance between the pulleys is too wide, or the belt slips due to a pulley distance that is too narrow, loosen the two driver positioning screws (see illustration at right) to adjust the pulley distance (belt tension). Tighten the screws securely after adjustment.

* If the belt is misplaced or worn, the following spare part may be ordered:

Part No.	Part Name	Specification
W5128041	Fan Belt	3ØL275



13 Adjust the pedal stroke.

(Refer to YV-4110(M) YV-3910(M) YV-3710(M) assembly step 10-1 on page 18.)

14 After assembly, confirm that each bolt and screw is tightened securely.

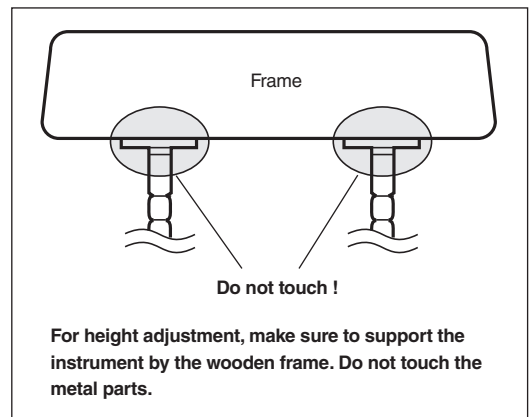
15 Height adjustment should always be performed by at least two persons.

To adjust the height of the tone bars, first remove the round belt (fan belt), driver, controller and tone bars*, and loosen the center rod fixing bolts.

(* To remove the tone bars, disengage the springs on the large end, and then unhook the string from the post.)

Support both frame ends by hand (do not touch the metal parts shown in the illustration), and loosen the slide leg fixing bolts.

Lift the frame ends to the desired height and then securely tighten each slide leg fixing bolt, aligning it with the corresponding notch of the slide leg. Bolt and notch are aligned when the next higher notch is flush with the upper leg flange. (Refer to step 8 on page 24.)



- Do not touch the slide legs during adjustment. Otherwise, your fingers may get caught and be injured.
- If you tighten the bolts at any location other than at the notches, the slide legs may slip, which can be dangerous.

16 This completes the assembly of the instrument.

To play, connect the supplied AC adapter to the DC 12-15V IN jack of the controller. (Refer to YV-4110(M) YV-3910(M) YV-3710(M) assembly procedure, "Power Supply"; on page 20.)

Upon completion of assembly, check to make sure that each bolt is tightened securely.

Specifications

■ YV-4110(M)

- **Range:** c–c4, 4 Octaves
- **Bars:** Aluminum Alloy, graduating from 39–57 mm (1-1/2" to 2-1/4") wide, 13 mm (1/2") thick, **YV-4110:** Glossy Gold Finish, **YV-4110M:** Matte Gold Finish
- **Pitch:** A = 442 Hz
- **Drive Unit:** YVM-300 (Pause-Memory Controller), 25–145 rpm
- **Power Supply:** Yamaha AC Adapter PA-130 (D.C. 12V, 1A +⊖-- North America), PA-D015 (D.C. 15V, 1A +⊖-- Europe), or other adapter recommended by Yamaha.
- **Power Consumption:** 2.9 W (PA-130), 3.6 W (PA-D015)
- **Dimensions (Length x Width):** 185 x 83 cm (72-7/8" x 32-5/8")
- **Height Adjustment:** 86–94 cm (33-7/8" to 37")
- **Weight:** 65 kg (143-1/4 lbs)
- **Oversized Casters:** 100 mm (4") high

■ YV-3910(M)

- **Range:** c–f3, 3-1/2 Octaves
- **Bars:** Aluminum Alloy, graduating from 39–57 mm (1-1/2" to 2-1/4") wide, 13 mm (1/2") thick, **YV-3910:** Glossy Gold Finish, **YV-3910M:** Matte Gold Finish
- **Pitch:** A = 442 Hz
- **Drive Unit:** YVM-300 (Pause-Memory Controller), 25–145 rpm
- **Power Supply:** Yamaha AC Adapter PA-130 (D.C. 12V, 1A +⊖-- North America), PA-D015 (D.C. 15V, 1A +⊖-- Europe), or other adapter recommended by Yamaha.
- **Power Consumption:** 2.9 W (PA-130), 3.6 W (PA-D015)
- **Dimensions (Length x Width):** 164 x 83 cm (64-5/8" x 32-5/8")
- **Height Adjustment:** 86–94 cm (33-7/8" to 37")
- **Weight:** 61 kg (134-1/2 lbs)
- **Oversized Casters:** 100 mm (4") high

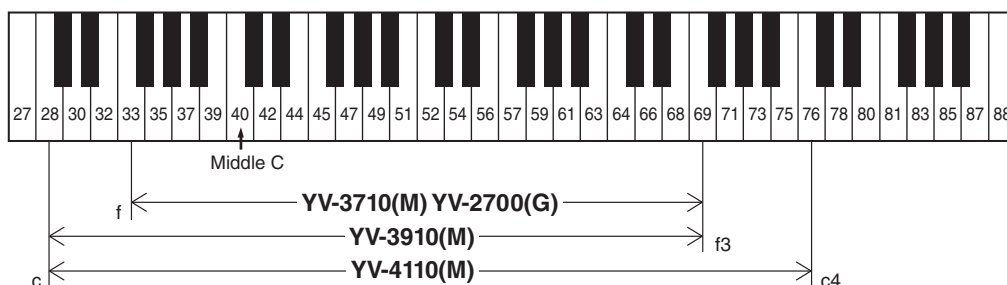
■ YV-3710(M)

- **Range:** f–f3, 3 Octaves
- **Bars:** Aluminum Alloy, graduating from 39–57 mm (1-1/2" to 2-1/4") wide, 13 mm (1/2") thick, **YV-3710:** Glossy Gold Finish, **YV-3710M:** Matte Gold Finish
- **Pitch:** A = 442 Hz
- **Drive Unit:** YVM-300 (Pause-Memory Controller), 25–145 rpm
- **Power Supply:** Yamaha AC Adapter PA-130 (D.C. 12V, 1A +⊖-- North America), PA-D015 (D.C. 15V, 1A +⊖-- Europe), or other adapter recommended by Yamaha.
- **Power Consumption:** 2.9 W (PA-130), 3.6 W (PA-D015)
- **Dimensions (Length x Width):** 143 x 82 cm (56-1/4" x 32-1/4")
- **Height Adjustment:** 86–94 cm (33-7/8" to 37")
- **Weight:** 58 kg (127-7/8 lbs)
- **Oversized Casters:** 100 mm (4") high

■ YV-2700(G)

- **Range:** f–f3, 3 Octaves
- **Bars:** Aluminum Alloy, graduating from 39–57 mm (1-1/2" to 2-1/4") wide, 13 mm (1/2") thick, **YV-2700:** Silver Satin Finish, **YV-2700G:** Glossy Gold Finish
- **Pitch:** A = 442 Hz
- **Drive Unit:** YVM-200 (Pause Controller), 25–145 rpm
- **Power Supply:** Yamaha AC Adapter PA-130 (D.C. 12V, 1A +⊖-- North America), PA-D015 (D.C. 15V, 1A +⊖-- Europe), or other adapter recommended by Yamaha.
- **Power Consumption:** 2.9 W (PA-130), 3.6 W (PA-D015)
- **Dimensions (Length x Width):** 143 x 82 cm (56-1/4" x 32-1/4")
- **Height Adjustment:** 81–89 cm (31-7/8" to 35")
- **Weight:** 52 kg (114-5/8 lbs)
- **Oversized Casters:** 100 mm (4") high

● SCALE RANGE



* The contents of this manual apply to the latest specifications as of the publishing date. To obtain the latest manual, access the Yamaha website then download the manual file.

Since specifications, equipment or separately sold accessories may not be the same in every locale, please check with your Yamaha dealer.

YAMAHA CORPORATION

10-1 Nakazawa-cho, Chuo-ku, Hamamatsu, 430-8650 Japan

ヤマハ株式会社

〒430-8650 静岡県浜松市中央区中沢町 10-1

©2014 Yamaha Corporation

Published 06/2024

2024年6月発行

IPCP-U0

VHU7520