

**POWERED SPEAKER SYSTEM
DBR series**

DBR15 DBR12 DBR10

Owner's Manual

In order to take full advantage of the DBR series' (referred to in this manual as DBR) superior functionality and enjoy years of trouble-free use, please read this manual before you begin using the product. After you have read the manual, keep it in a safe place for reference when needed.

- Please read the **PRECAUTIONS** on the reverse side of this manual before use.
- This manual uses example illustrations taken from the DBR12 if not otherwise specified.
- The illustrations as shown in this manual are for instructional purposes only, and may appear somewhat different from those on your device.
- The company names and product names used in this manual are the trademarks or registered trademarks of their respective companies.

Features

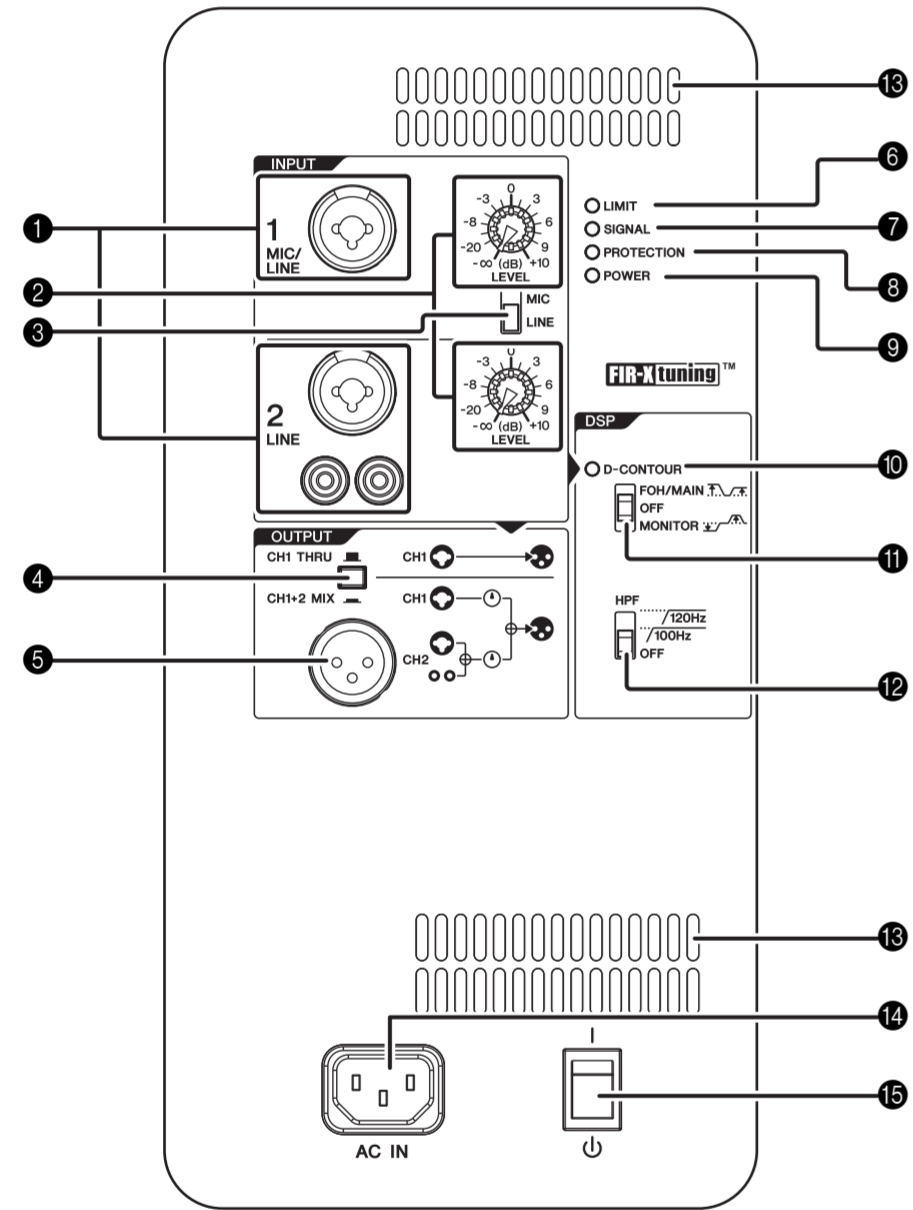
- **FIR-X tuning™**
Our proprietary sound-processing technology utilizing a linear-phase FIR filter delivers excellent sound quality with high resolution and a smooth frequency response that is unaffected by phase interference near the crossover point.
- **D-CONTOUR (Dynamic CONTOUR)**
D-CONTOUR optimizes the level of each frequency range according to the application to be used or the listener's preferences. There are two modes: an FOH/MAIN mode for use as a main speaker, and a MONITOR mode for use as a floor monitor.
- **Simple mixing function**
The DBR features simple mixing functionality, enabling you to select either a direct output of channel 1 (CH1) (parallel connection) or a mixed output of CH1 and CH2.
- **Various input/output connectors**
The comprehensive set of connectors—including XLR for a mixer, phone for a musical instrument, and RCA-pin for an MP3 player—provides maximum flexibility in use with a wide variety of applications.
- **Light weight, high power**
A newly developed power supply and amplifier has enabled compact size and light weight, as well as powerful output.
- **Advanced protection functionality**
DSP-controlled advanced protection functionality promotes optimum reliability even in challenging environments.

Included Accessories

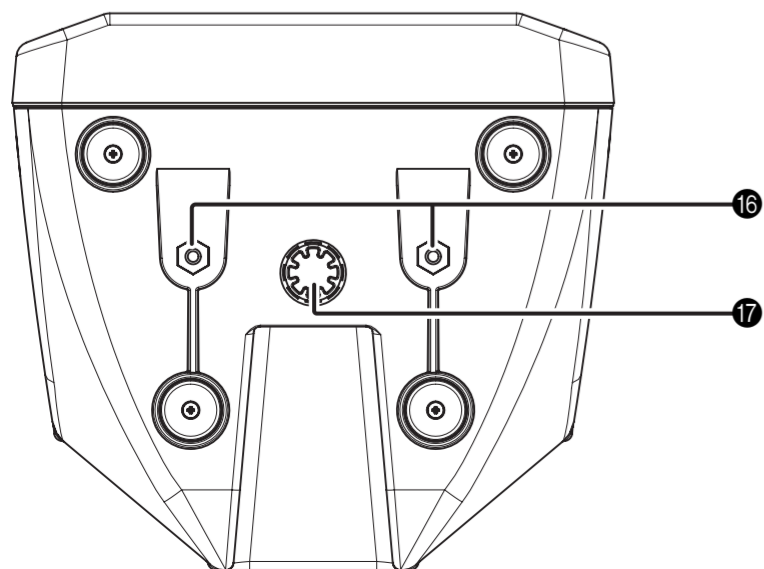
- AC power cord
- Technical Specifications (English only): includes specifications, block diagram, and dimensions.
- Owner's manual (this leaflet)

Controls and Connectors

Rear

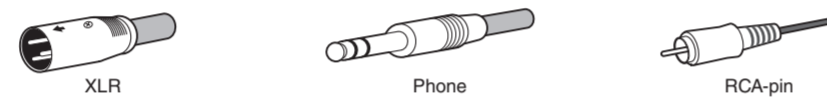


Bottom



1 Input jacks (CH1 and CH2)

These are balanced combo jacks that support both XLR and phone plugs (both CH1 and CH2), and RCA-pin plugs (CH2 only). For the combo jacks, connect a mixer, microphone, or digital musical instrument such as a keyboard. For RCA-pin jacks, connect a device such as an MP3 player or a CD player. For devices with high level signals such as a mixer, connect to CH2, or connect to CH1 then set the [MIC/LINE] switch (3) to [LINE].



2 [LEVEL] knobs

Adjust the level of each input jack (1).

3 [MIC/LINE] switch

Set this switch to [MIC] or [LINE] for the CH1 jack, depending on the level of the input signal. For low-level signals (such as microphones), set the switch to [MIC]. For high-level signals (such as mixer), set the switch to [LINE].

4 Output switch

Selects the output signal sent to the output jack (5). [CH1 THRU]: Delivers the direct output signal of CH1 only. Signal from CH2 will not be output. [CH1+2 MIX]: Outputs the mixed signals of CH1 and CH2.

5 Output jack

This is a balanced XLR jack. This can be used to connect another DBR speaker. Outputs the signal selected by 4 output switch.

6 [LIMIT] indicator

Indicates (lit in red) that the limiter is on when the output voltage of the amplifier has exceeded the maximum level, or when excessive integral power consumption is detected. If this indicator stays lit, lower the input level.

Note Integral power consumption refers to the sum of power provided to the speaker driver per unit time.

7 [SIGNAL] indicator

Indicates (lit in green) when an audio input signal exceeds the minimum threshold.

8 [PROTECTION] indicator

Indicates (lit in red) when the protection circuit is active. The protection circuit will be activated and the speaker outputs will be muted in the situations listed below.

- If amplifier overheating is detected
- If overcurrent is detected
- When turning the power on; the protection circuit will be activated for a few seconds to prevent noise. The indicator turns off when the power supply has started normally.

If the protection circuit has engaged, waiting until the amplifier cools down or powering off and on again will return to normal operation. If the unit does not return to normal operation, please contact your Yamaha dealer.

9 [POWER] indicator

Indicates (lit in green) when the [I/O] (power) (15) switch is turned on.

10 [D-CONTOUR] indicator

Indicates (lit in yellow) when the [D-CONTOUR] switch (11) is set to [FOH/MAIN] or [MONITOR].

11 [D-CONTOUR] switch

Selects one of the D-CONTOUR (Dynamic CONTOUR) presets. [FOH/MAIN]: Boosts the high and low frequency components so that the frequency response is suitable for a main speaker. [MONITOR]: Reduces the low frequency range, which could otherwise tend to be boomy if the speaker is set directly on the floor. This enables you to hear mid and high frequency ranges clearly when using as a floor monitor. [OFF]: Turns off D-CONTOUR. This is a generic frequency response setting.

12 [HPF] switch

Selects the cutoff frequency of the high pass filter. If you set this switch to [120Hz] or [100Hz], the low frequency components below each threshold will be cut. If you use the unit alone, set this switch to [OFF]. If you plan to use the unit along with a subwoofer, we recommend that you set this switch to [120Hz] or [100Hz].

13 Vent

The unit contains a cooling fan. Since the air for cooling is taken in and expelled here, be careful not to block this vent.

14 [AC IN] socket

Connect the supplied power cord here. First connect the power cord to the unit, then plug it into an appropriate AC power outlet.

CAUTION

Turn off the power before you connect or disconnect the power cord.

15 [I/O] (power) switch

Turns power to the unit on [I] or off [O]. First, turn on the power of the connected sound source (external device), then the unit. When turning off the power, reverse the order by turning off the power of the unit first and then the connected sound source (external device).

CAUTION

Even when the switch is in the off position, a small amount of electricity is still flowing to the unit. If it will not be used for an extended period of time, therefore, be sure to unplug the power cord from the wall AC outlet.

- Note**
 - Rapidly turning the unit on and off in succession can cause it to malfunction. After turning the unit off, wait for about 5 seconds before turning it on again.
 - If you are using multiple units, turn on the power to each unit one by one. If you turn on the power to multiple units simultaneously, a temporary drop in the power voltage may occur, possibly resulting in abnormal operation of the units.

16 Screw holes (M8)

Use these M8 size screw holes for installing separately sold brackets or commercially available eye bolts.

17 Pole socket

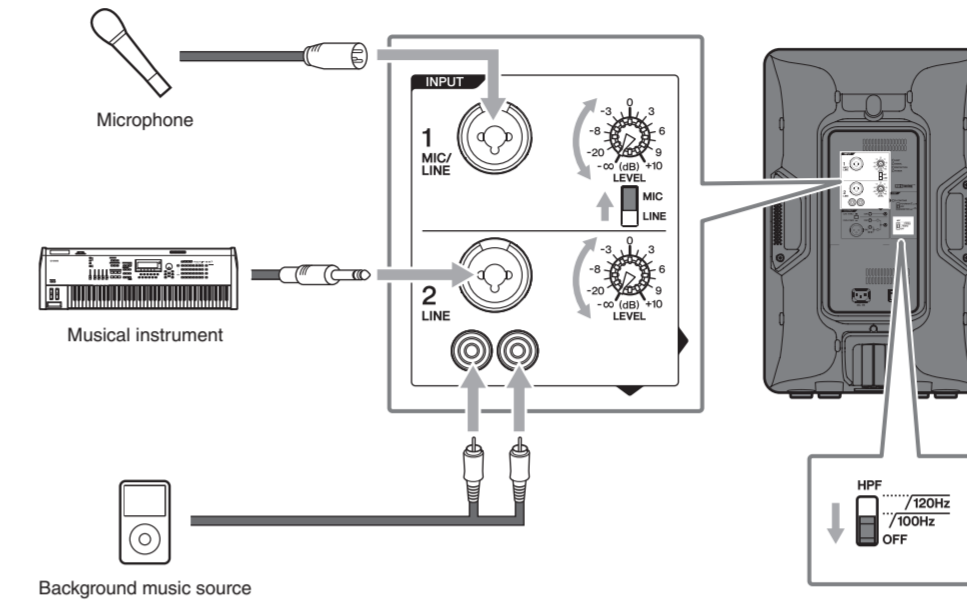
This socket adapts to commercially available speaker stands and speaker poles of 35 mm diameter.

Setup Examples

Simple system with a single DBR

This example illustrates the system when connecting directly to a microphone, musical instrument, or background music source without using a mixer.
Main application: small-sized live venue, presentations, restaurants

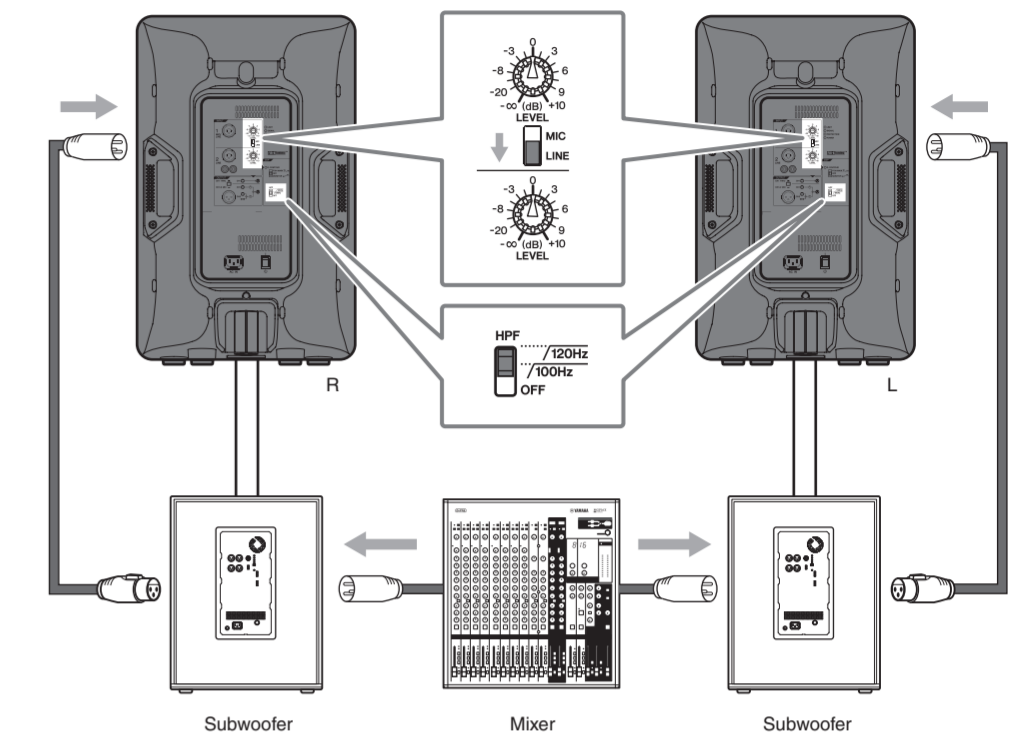
Note For CH2, inputs to the combo jack and to the RCA pin jacks will be mono mixed at a fixed balance. If you want to change the balance, adjust the volume of the connected sound source.



System with two DBRs and subwoofers

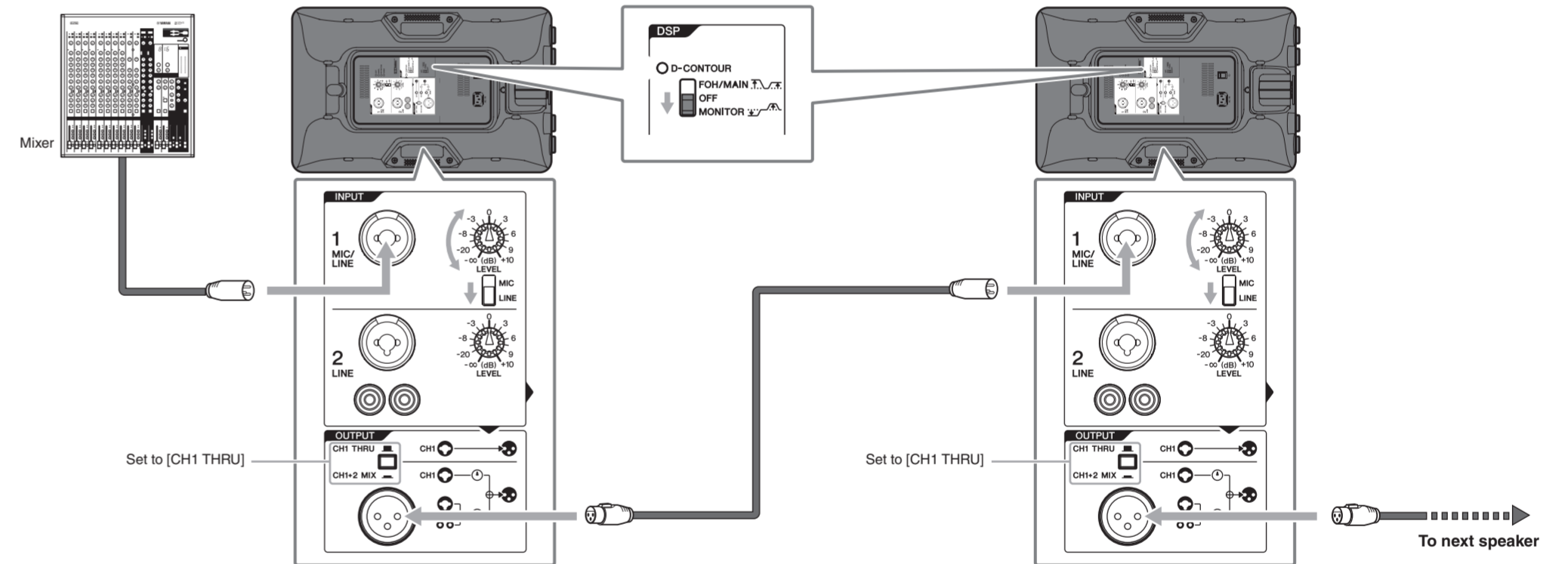
This system is the most suitable for a main speaker system. If desired, you can add another DBR to create a floor monitor system.
Main application: small-sized live venue, house of worship, event site

Note We recommend to use Yamaha DXS series (referred to in this manual as DXS) as a subwoofer. In this case, we recommend that the DBR's HPF cutoff frequency and the DXS's LPF cutoff frequency are set to the same settings; however, you can adjust it as desired.



Floor monitor system

This system is suitable for a performer's monitoring system. For use as a vocal monitor, set the [D-CONTOUR] switch to [MONITOR]. If necessary, you can additionally connect up to four speakers in parallel. In this case we recommend that the signal is input to CH1 and the output switch is set to [CH1 THRU].



Troubleshooting

Symptom	Possible causes	Possible solution
Power does not turn on.	The power cord is not connected properly.	Connect the power cord all the way in so that it is firmly in place.
Power suddenly went off.	The protection system has been activated, shutting down the power supply.	Turn off the power, wait until the amplifier cools down, and then turn on again.
No Sound.	The cable is not connected properly.	Connect the cable all the way in so that it is firmly in place.
Sound is interrupted suddenly.	The protection circuit has been activated, muting the output.	Wait until the amplifier cools down. If the unit won't automatically reset itself, turn off the power, and then on again.
Sound howls (feedback).	A microphone is directed toward the speaker.	Aim the speaker away from the area where the microphone picks up sound.
Each speaker sound differs (if multiple speakers are used).	Sound is amplified too much.	Lower the volume of input device and locate the microphone more closely to the sound source.
	Settings for each speaker differ.	Set the [HPF] switch and [D-CONTOUR] switch of each speaker to the same positions.
Sound is distorted.	The [LIMIT] indicator is off.	When the [MIC/LINE] switch is set to [MIC], and even if you lower the volume fully the sound is still distorted, set the switch to the [LINE] position. If the sound is still distorted even if the switch has been set to [LINE], lower the volume of the connected input devices.
	The [LIMIT] indicator is on.	Output volume is excessive.
The microphone volume is too low.	The [MIC/LINE] switch is set to [LINE].	Set the [MIC/LINE] switch to the [MIC] position.
Low and high frequency are unbalanced.	The output limiter is active.	Lower the input level or the output level until the [LIMIT] indicator lights occasionally.

If any specific problem should persist, however, please contact your Yamaha dealer.

Installation Examples

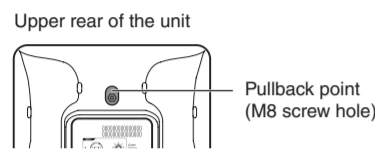
CAUTION

- Before doing any installation or construction work, consult with your Yamaha dealer.
- For optimum safety, the installation should be checked thoroughly at regular intervals. Some fittings may deteriorate over extended periods of time due to wear and/or corrosion.
- When choosing the installation location, suspension wire and mounting hardware, make sure all are strong enough to support the weight of the speaker.
- Make sure to take measures to prevent the speaker from falling down in the event of a installation failure.
- When installing the safety wire to the wall, install it higher than the wire's attachment point on the speaker, with as little slack as possible. If the wire is too long, and the speaker happens to fall, the wire may snap as a result of too much strain.

Yamaha cannot be held responsible for damage or injury caused by insufficient strength of the support structure or improper installation.

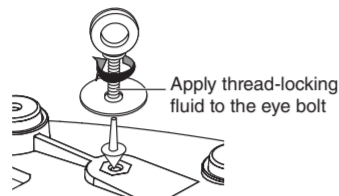
Pullback point (only for DBR15 and DBR12)

- When the unit is shipped from the factory, a seal is stuck on the pullback point (screw hole). Make sure to peel off the seal when using the pullback point.
- The DBR10 does not have a pullback point.



Securing the screws and eye bolts

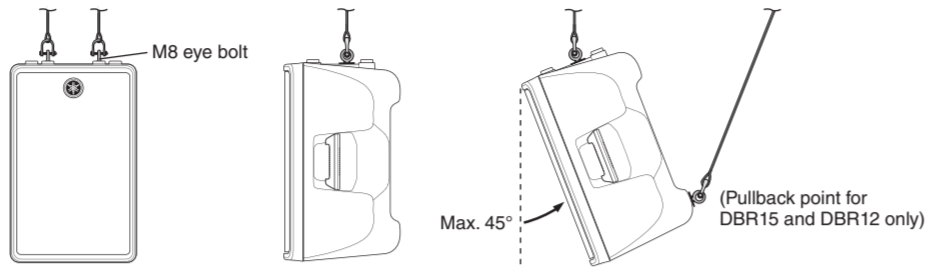
- Insert the screw or eye bolt through the washer to attach them.



Installation using eye bolts

Attach commercially-available eye bolts (M8 x 15 mm) to the screw holes located at the bottom (two locations) and on the upper rear (one location, only for DBR15 and DBR12). Keep in mind that you will need two points at the bottom to suspend the unit.

Note Make sure to use eye bolts according to the standards and safety regulations in your area.



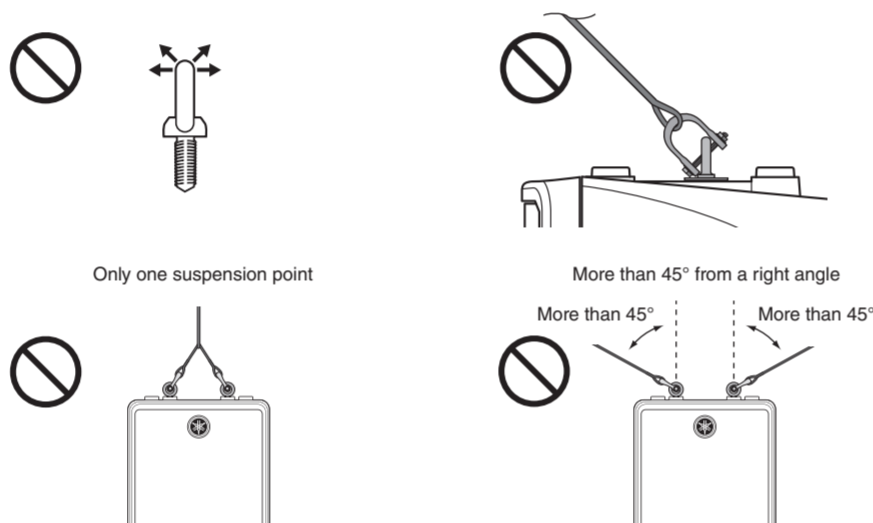
NOTICE

The strength of an eye bolt differs depending on the suspension angle. Make sure to use eye bolts within a range of 0 to 45 degrees from a right angle (as shown).

Correct: Within 45° from a right angle



Incorrect: Do not suspend the eye bolts as shown in the illustrations below.



General Specifications

General Specifications		DBR15	DBR12	DBR10
System Type		2-way, Bi-amp Powered Speaker, Bass-reflex Type		
Frequency Range (-10dB)		49 Hz–20 kHz	52 Hz–20 kHz	55 Hz–20 kHz
Coverage Angle (Horizontal x Vertical)		H90° x V60° Constant Directivity Horn		
Measured Maximum SPL (Peak) IEC Noise @ 1m		132 dB SPL	131 dB SPL	129 dB SPL
Crossover		2.1 kHz	2.1 kHz	2.1 kHz
Power Amplifier	Power Rating	Dynamic 1000 W (LF: 800 W, HF: 200 W)	700 W (LF: 500 W, HF: 200 W)	325 W (LF: 260 W, HF: 65 W)
	Continuous	465 W (LF: 400 W, HF: 65 W)	325 W (LF: 260 W, HF: 65 W)	60 W
Power Consumption		74 W		
Components	LF	15° Cone, 2.5" Voice Coil	12° Cone, 2" Voice Coil	10° Cone, 2" Voice Coil
	HF	1.4" Voice Coil, Compression Driver	1" Voice Coil, Compression Driver	1" Voice Coil, Compression Driver
Dimensions (WxHxD, Including Rubber Feet)		455 x 700 x 378 mm (17.9" x 27.6" x 14.9")	376 x 601 x 348 mm (14.8" x 23.7" x 13.7")	308 x 493 x 289 mm (12.1" x 19.4" x 11.4")
Net Weight		19.3 kg (42.6 lbs)	15.8 kg (34.8 lbs)	10.5 kg (23.2 lbs)
Handles		Side x 2		
Pole Socket		φ35 mm Bottom x 1		
Rigging Points		Bottom x 2, Rear x 1 (Fit for M8 x 15 mm)		Bottom x 2 (Fit for M8 x 15 mm)
Optional Speaker Brackets		Third-party brackets available *1		
I/O Connectors	Input	INPUT1: Combo x1, INPUT2: Combo x 1 + RCA-pin x 2		
	Output	XLR3-32 x 1 (CH1 Paralell Through or CH1+CH2 Mix)		
Input Sensitivity (Level: Center)		INPUT1: LINE: +10 dBu, MIC: -22 dBu, INPUT2: +10 dBu		
Maximum Input Level		INPUT1: LINE: +24 dBu, MIC: -8 dBu, INPUT2: +24 dBu		

0 dBu is referenced to 0.775 Vrms

*1 For information on available third-party accessories, please refer to the Yamaha Pro Audio website.
<https://www.yamahaproaudio.com/>

Specifications and descriptions in this owner's manual are for information purposes only. Yamaha Corp. reserves the right to change or modify products or specifications at any time without prior notice. Since specifications, equipment or options may not be the same in every locale, please check with your Yamaha dealer.

PRECAUTIONS

PLEASE READ CAREFULLY BEFORE PROCEEDING

Please keep this manual in a safe place for future reference.

WARNING

Always follow the basic precautions listed below to avoid the possibility of serious injury or even death from electrical shock, short-circuiting, damages, fire or other hazards. These precautions include, but are not limited to, the following:

Power supply/power cord

- Do not place the power cord near heat sources such as heaters or radiators, and do not excessively bend or otherwise damage the cord, place heavy objects on it, or place it in a position where anyone could walk on, trip over, or roll anything over it.
- Only use the voltage specified as correct for the device. The required voltage is printed on the name plate of the device.
- Use only the supplied power cord/plug.
- Check the electric plug periodically and remove any dirt or dust which may have accumulated on it.
- Be sure to connect to an appropriate outlet with a protective grounding connection. Improper grounding can result in electrical shock, damage to the device(s), or even fire.

Do not open

- This device contains no user-serviceable parts. Do not open the device or attempt to disassemble the internal parts or modify them in any way. If it should appear to be malfunctioning, discontinue use immediately and have it inspected by qualified Yamaha service personnel.

Water warning

- Do not expose the device to rain, use it near water or in damp or wet conditions, or place on it any containers (such as vases, bottles or glasses) containing liquids which might spill into any openings. If any liquid such as water seeps into the device, turn off the power immediately and unplug the power cord from the AC outlet. Then have the device inspected by qualified Yamaha service personnel.
- Never insert or remove an electric plug with wet hands.

Fire warning

- Do not put burning items, such as candles, on the unit. A burning item may fall over and cause a fire.

If you notice any abnormality

- When one of the following problems occur, immediately turn off the power switch and disconnect the electric plug from the outlet. Then have the device inspected by Yamaha service personnel.
 - The power cord or plug becomes frayed or damaged.
 - It emits unusual smells or smoke.
 - Some object has been dropped into the device.
 - There is a sudden loss of sound during use of the device.
- If this device should be dropped or damaged, immediately turn off the power switch, disconnect the electric plug from the outlet, and have the device inspected by qualified Yamaha service personnel.

CAUTION

Always follow the basic precautions listed below to avoid the possibility of physical injury to you or others, or damage to the device or other property. These precautions include, but are not limited to, the following:

Power supply/power cord

- When removing the electric plug from the device or an outlet, always hold the plug itself and not the cord. Pulling by the cord can damage it.
- Remove the electric plug from the outlet when the device is not to be used for extended periods of time, or during electrical storms.

Location

- Do not place the device in an unstable position where it might accidentally fall over.
- Do not block the vents. This device has ventilation holes at the rear to prevent the internal temperature from becoming too high. In particular, do not place the device on its side or upside down. Inadequate ventilation can result in overheating, possibly causing damage to the device(s), or even fire.
- When installing the device:
 - Do not cover it with any cloth.
 - Do not install it on a carpet or rug.
 - Do not use the device in a confined, poorly-ventilated location.
- Inadequate ventilation can result in overheating, possibly causing damage to the device(s), or even fire. Make sure that there is adequate space around the device: at least 30cm above, 30cm at the sides and 30cm behind.
- Do not use the speaker's handles for suspended installation. Doing so can result in damage or injury.
- Do not hold the bottom of the device when transporting or moving it. In doing so, you may pinch your hands under the device, and result in injury.
- Do not press the rear panel of the device against the wall. Doing so may cause the plug to come in contact with the wall and detach from the power cord, resulting in short circuiting, malfunction, or even fire.

Information for Users on Collection and Disposal of Old Equipment



This symbol on the products, packaging, and/or accompanying documents means that used electrical and electronic products should not be mixed with general household waste. For proper treatment, recovery and recycling of old products, please take them to applicable collection points, in accordance with your national legislation and the Directives 2002/96/EC.

By disposing of these products correctly, you will help to save valuable resources and prevent any potential negative effects on human health and the environment which could otherwise arise from inappropriate waste handling.

For more information about collection and recycling of old products, please contact your local municipality, your waste disposal service or the point of sale where you purchased the items.

[For business users in the European Union]

If you wish to discard electrical and electronic equipment, please contact your dealer or supplier for further information.

[Information on Disposal in other Countries outside the European Union]

This symbol is only valid in the European Union. If you wish to discard these items, please contact your local authorities or dealer and ask for the correct method of disposal.

(weee_eu_en_01)

In Finland: Laite on liitettävä suojamaadoituskoskettimilla varustettuun pistorasiaan.
In Norway: Apparatet må tilkoples jordet stikkontakt.
In Sweden: Apparatens skall anslutas till jordat uttag.

(class 1 hokuo)

이 기기는 가정용(음극) 전자파차폐기기로써 주로 가정에서 사용하는 것을 목적으로 하며, 모든 지역에서 사용할 수 있습니다.

(class b korea)

FCC INFORMATION (U.S.A.)

1. IMPORTANT NOTICE: DO NOT MODIFY THIS UNIT!

This product, when installed as indicated in the instructions contained in this manual, meets FCC requirements. Modifications not expressly approved by Yamaha may void your authority, granted by the FCC, to use the product.

2. IMPORTANT: When connecting this product to accessories and/or another product use only high quality shielded cables. Cable/s supplied with this product MUST be used. Follow all installation instructions. Failure to follow instructions could void your FCC authorization to use this product in the USA.

3. NOTE: This product has been tested and found to comply with the requirements listed in FCC Regulations, Part 15 for Class "B" digital devices. Compliance with these requirements provides a reasonable level of assurance that your use of this product in a residential environment will not result in harmful interference with other electronic devices. This equipment generates/uses radio frequencies and, if not installed and used according to the instructions found in the users manual, may cause interference harmful to the operation of other electronic devices. Compliance with FCC regulations does not guarantee that interference will not occur in all installations. If this product is found to be the source of interference, which can be determined by turning the unit "OFF" and "ON", please try to eliminate the problem by using one of the following measures:

- Relocate either this product or the device that is being affected by the interference.
- Utilize power outlets that are on different branch (circuit breaker or fuse) circuits or install AC line filter/s.
- In the case of radio or TV interference, relocate/reorient the antenna. If the antenna lead-in is 300 ohm ribbon lead, change the lead-in to co-axial type cable.
- If these corrective measures do not produce satisfactory results, please contact the local retailer authorized to distribute this type of product. If you can not locate the appropriate retailer, please contact Yamaha Corporation of America, Electronic Service Division, 6600 Orangethorpe Ave, Buena Park, CA 92620

The above statements apply ONLY to those products distributed by Yamaha Corporation of America or its subsidiaries.

* This applies only to products distributed by YAMAHA CORPORATION OF AMERICA.

(class B)

IMPORTANT NOTICE FOR THE UNITED KINGDOM

Connecting the Plug and Cord

WARNING: THIS APPARATUS MUST BE EARTHED IMPORTANT. The wires in this mains lead are coloured in accordance with the following code:

GREEN-AND-YELLOW : EARTH
BLUE : NEUTRAL
BROWN : LIVE

As the colours of the wires in the mains lead of this apparatus may not correspond with the coloured markings identifying the terminals in your plug proceed as follows:

The wire which is coloured GREEN-and-YELLOW must be connected to the terminal in the plug which is marked by the letter E or by the safety earth symbol ⚡

The wire which is coloured BLUE must be connected to the terminal which is marked with the letter N or coloured BLACK

The wire which is coloured BROWN must be connected to the terminal which is marked with the letter L or coloured RED.

(3 wires)

Yamaha Worldwide Representative Offices

English

For details on the product(s), contact your nearest Yamaha representative or the authorized distributor, found by accessing the 2D barcode below.

Deutsch

Wenden Sie sich für nähere Informationen zu Produkten an eine Yamaha-Vertretung oder einen autorisierten Händler in Ihrer Nähe. Diese finden Sie mithilfe des unten abgebildeten 2D-Strichcodes.

Français

Pour obtenir des informations sur le ou les produits, contactez votre représentant ou revendeur agréé Yamaha le plus proche. Vous le trouverez à l'aide du code-barres 2D ci-dessous.

Español

Para ver información detallada sobre el producto, contacte con su representante o distribuidor autorizado Yamaha más cercano. Lo encontrará escaneando el siguiente código de barras 2D.

Italiano

Per dettagli sui prodotti, contattare il rappresentante Yamaha o il distributore autorizzato più vicino, che è possibile trovare tramite il codice a barre 2D in basso.

Português

Para mais informações sobre o(s) produto(s), fale com seu representante da Yamaha mais próximo ou com o distribuidor autorizado acessando o código de barras 2D abaixo.

Русский

Чтобы узнать подробнее о продукте (продуктах), свяжитесь с ближайшим представителем или авторизованным дистрибьютором Yamaha, воспользовавшись двухмерным штрихкодом ниже.

简体中文

如需有关产品的详细信息, 请联系距您最近的Yamaha代表或授权经销商, 可通过访问下方的2D条形码找到这些代表或经销商的信息。

繁體中文

如需產品的詳細資訊, 請聯絡與您距離最近的 Yamaha 銷售代表或授權經銷商, 您可以掃描下方的二維條碼查看相關聯絡資料。

한국어

제품에 대한 자세한 정보는 아래 2D 바코드에 액세스하여 가까운 Yamaha 담당 판매점 또는 공식 대리점에 문의하십시오.



https://manual.yamaha.com/pa/address_list/

Head Office/Manufacturer: Yamaha Corporation 10-1, Nakazawa-cho, Chuo-ku, Hamamatsu, 430-8650, Japan

Importer (European Union): Yamaha Music Europe GmbH Siemensstrasse 22-34, 25462 Rellingen, Germany

Importer (United Kingdom): Yamaha Music Europe GmbH (UK) Sherbourne Drive, Tilbrook, Milton Keynes, MK7 8BL, United Kingdom

PA61

Yamaha Pro Audio global website
<https://www.yamahaproaudio.com/>

Yamaha Downloads
<https://download.yamaha.com/>

© 2014 Yamaha Corporation
Published 03/2024
KSEI-CO