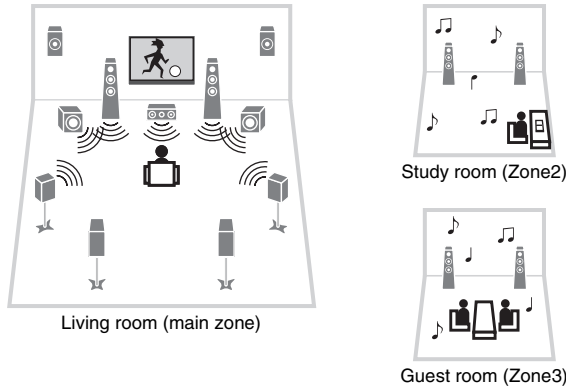


Multi-zone function

What is the multi-zone function?

The multi-zone function allows you to play back different input sources in the room where the unit is installed (main zone) and in other rooms (Zone2 and Zone3). For example, while you are watching TV in the living room (main zone), another person can listen to PC music in the study room, and another can listen to radio in the guest room (Zone3).



You can select the following input sources for Zone2 and Zone3:

- Analog audio input (AV 1-4, V-AUX, AUDIO 1-4, PHONO)
- TUNER (FM/AM radio)
- USB (including iPod)
- SERVER
- AirPlay
- Network streaming services (available on some models)



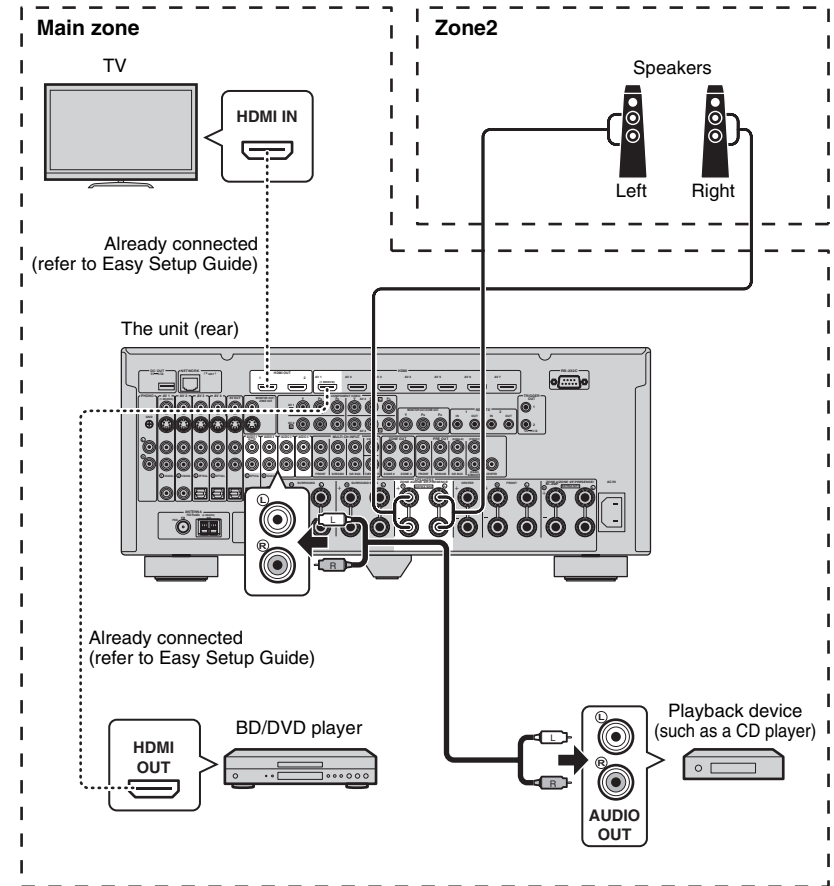
- Audio sources input from the HDMI or digital audio input jacks cannot be output to Zone2 and Zone3.
- AirPlay is available in Zone2 and Zone3 only when AirPlay playback is ongoing in the main zone.

This guide explains how to set up a Zone2 system using the unit's internal amplifier. This will enable you to use the 7.2-channel speaker system in the main zone and 2-channel speaker system in Zone2 simultaneously. (When Zone2 output is disabled, you can use the 9.2-channel speaker system in the main zone.)

For more information, refer to the Owner's Manual in the supplied CD-ROM.

Preparations

■ Connection overview



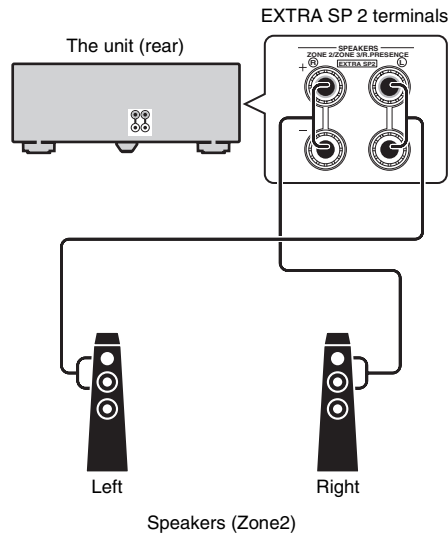
- For information on how to connect speakers or a TV in the main zone, refer to the Easy Setup Guide.

■ Connections

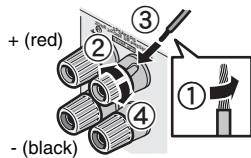
Caution

- Before connecting the speakers, remove the unit's power cable from the AC wall outlet.
- Ensure that the core wires of the speaker cable do not touch each other or come into contact with the unit's metal areas. This may damage the unit or the speakers.
- Connect the speakers with the correct polarity.

1 Connect the speakers in Zone2 to the EXTRA SP 2 terminals with speaker cables.

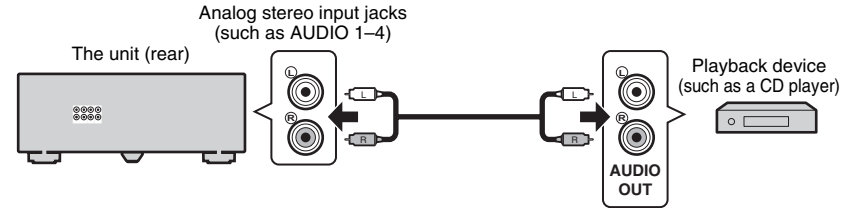


To connect speaker cables



2 Connect the playback devices (such as CD players) in the main zone to the analog stereo input jacks with stereo pin cables.

Only analog audio sources (including FM/AM radio), and USB and network sources can be output to Zone2. To listen to the playback of an external device in Zone2, you need to connect the device to the analog audio input jacks.



3 Connect the power cable to an AC wall outlet.

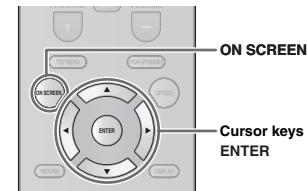
To operate the unit and external devices from Zone2

You can operate the unit and external devices from Zone2 using the supplied remote control if you connect an infrared signal receiver/emitter to the unit's REMOTE IN/OUT jacks. For details, refer to the Owner's Manual in the supplied CD-ROM.

■ Zone2 setup

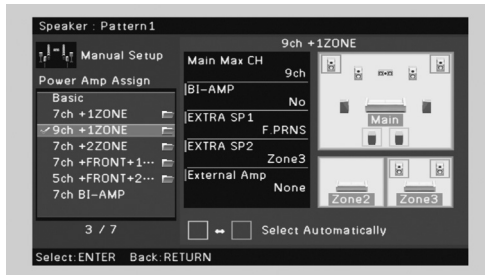
Use the supplied remote control to set the Zone2 function.

- 1 Turn on the unit and TV.
- 2 Switch the TV input to display video from the unit.
- 3 Press ON SCREEN to display the on-screen menu on the TV.



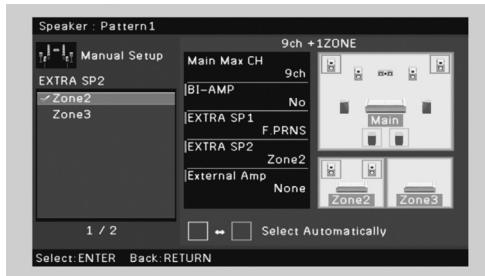
4 Use the cursor keys and ENTER to select “Setup” → “Speaker” → “Manual Setup” → “Power Amp Assign”.

5 Use the cursor keys to select “9ch +1ZONE” and press ENTER.



6 Press ENTER twice, use the cursor keys to select “Zone2”, and press ENTER again.

This sets the EXTRA SP 2 terminals to be used for Zone2 output.



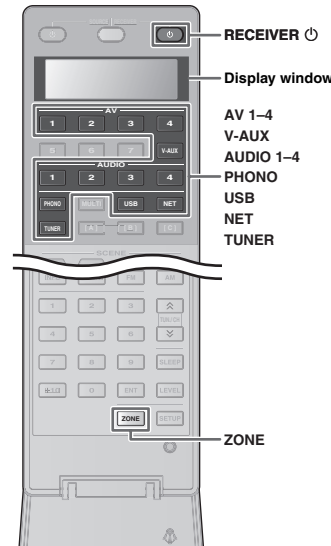
7 Press ON SCREEN to exit from the on-screen menu.

Controlling Zone2

Follow the procedure below to enable Zone2 output and select an input source for Zone2.

1 Press ZONE repeatedly until “ZONE2” lights up in the display window.

This enables you to control Zone2 with the remote control.



2 Press RECEIVER .

Each time you press the key, Zone2 is enabled or disabled.

When Zone2 is enabled, “ZONE2” lights up in the front display.



Lights up

3 Use the following keys to select an input source.

AV 1–4: AV 1–4 (AUDIO) jacks

V-AUX: VIDEO AUX (AUDIO) jacks (on the front panel)

AUDIO 1–4: AUDIO 1–4 (AUDIO) jacks

PHONO: PHONO jacks

USB: USB jack (on the front panel)

NET: NETWORK jack (press repeatedly to select a desired network source)

TUNER: FM/AM radio



- If you have made more than one audio connection for AV 1–4, V-AUX or AUDIO 1–2, audio signals input to the unit from the external device is determined according to the “Audio Select” setting in the “Option” menu. For details, refer to the Owner’s Manual in the supplied CD-ROM.
- You cannot select USB and network sources exclusively for each zone. For example, if you select “SERVER” for Zone2 when “USB” is selected for the main zone, the input source for the main zone also switches to “SERVER”.

4 Start playback on the external device or select a radio station.

For details about the playback operation, refer to the instruction manual for the external device or Owner’s Manual on the supplied CD-ROM.

Controlling your TV with the remote control of the unit

By registering the remote control code for your TV, you can operate it with the remote control of the unit. For information on how to register remote control codes for other external devices, refer to the Owner's Manual in the supplied CD-ROM.

Registering the remote control code

- 1 Use "Remote Control Code Search" in the supplied CD-ROM to find your TV's remote control code.



- If there are multiple remote control codes, register the first code in the list. If that does not work, try the other codes.

- 2 Press **SETUP**.

"SETUP" appears in the display window.



Perform each of the following steps within 30 seconds. Otherwise, the setting will be canceled. If this happens, repeat from Step 2.

- 3 Use the cursor keys (Δ/∇) to select "PRESET" and press **ENTER**.



- 4 Press **TV** \odot and press **ENTER**.

"----" (empty) or code currently registered



- 5 Use the numeric keys or cursor keys to enter the 4-digit remote control code and press **ENTER**.

Once the remote control code is successfully registered, "OK" appears in the display window.

If "ERROR" appears, registration has failed. Repeat from Step 3.

- 6 To exit from the setup menu, press **SETUP**.

TV operations

Once you have registered the remote control code for your TV, you can control it using the TV operation keys, regardless of the input source selected on the unit.

	INPUT	Switches the video inputs of the TV.
	MUTE	Mutes the audio output of the TV.
TV operation keys	TV VOL	Adjust the volume of the TV.
	TV CH	Switch the channels of the TV
	TV \odot	Turns on/off the TV.

