

This Quick Reference Guide explains steps to connect external components to this unit and start playback. For detailed operation, refer to the "Owner's Manual" in the supplied CD-ROM.

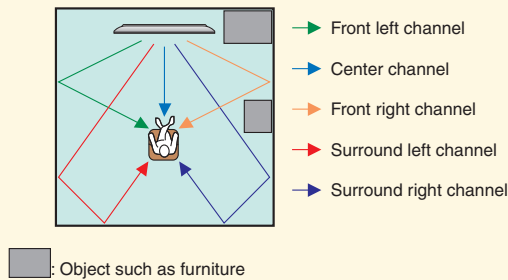
Check that you received all of the supplied accessories referring to "Supplied accessories" (page 6 of "Safety and Accessory Information" (separate booklet)). For instructions on how to operate or set the external components, refer to the owner's manual supplied with each component.

1 Installing this unit

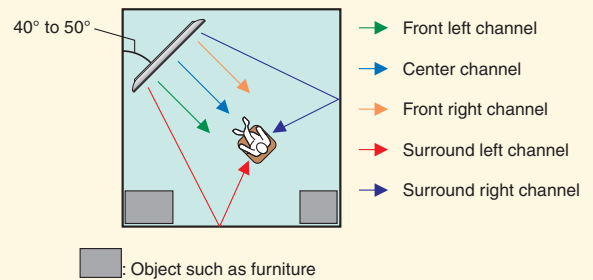
Decide where to install this unit.

This unit uses sound beams to create surround effects (the arrows in the following diagrams indicate the images of paths of 5-channel sound beams). To achieve desired surround sound effects, install this unit where there are no objects such as furniture obstructing the path of sound beams.

When installing this unit parallel to the wall

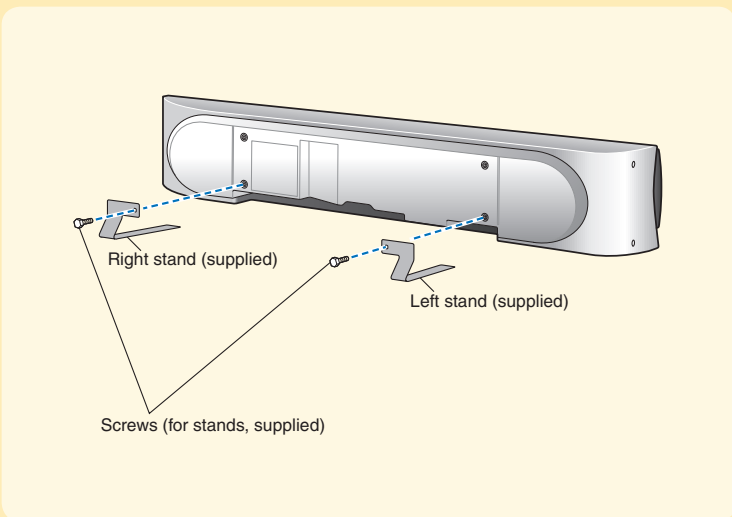


When installing this unit in the corner of a room



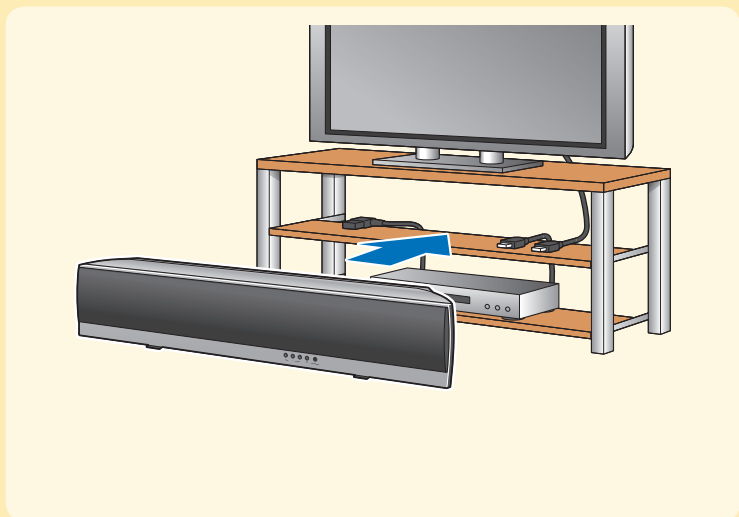
Attach the stands.

Attach the supplied stands to this unit as shown below. Make sure that you attach the left and right stands correctly. These stands are unnecessary if you use the optional wall mount bracket.



When installing this unit using a rack

When installing this unit, be careful not to scratch this unit, rack or floor. Depending on your installation environment, connections with external components (next step) should be done before installation.



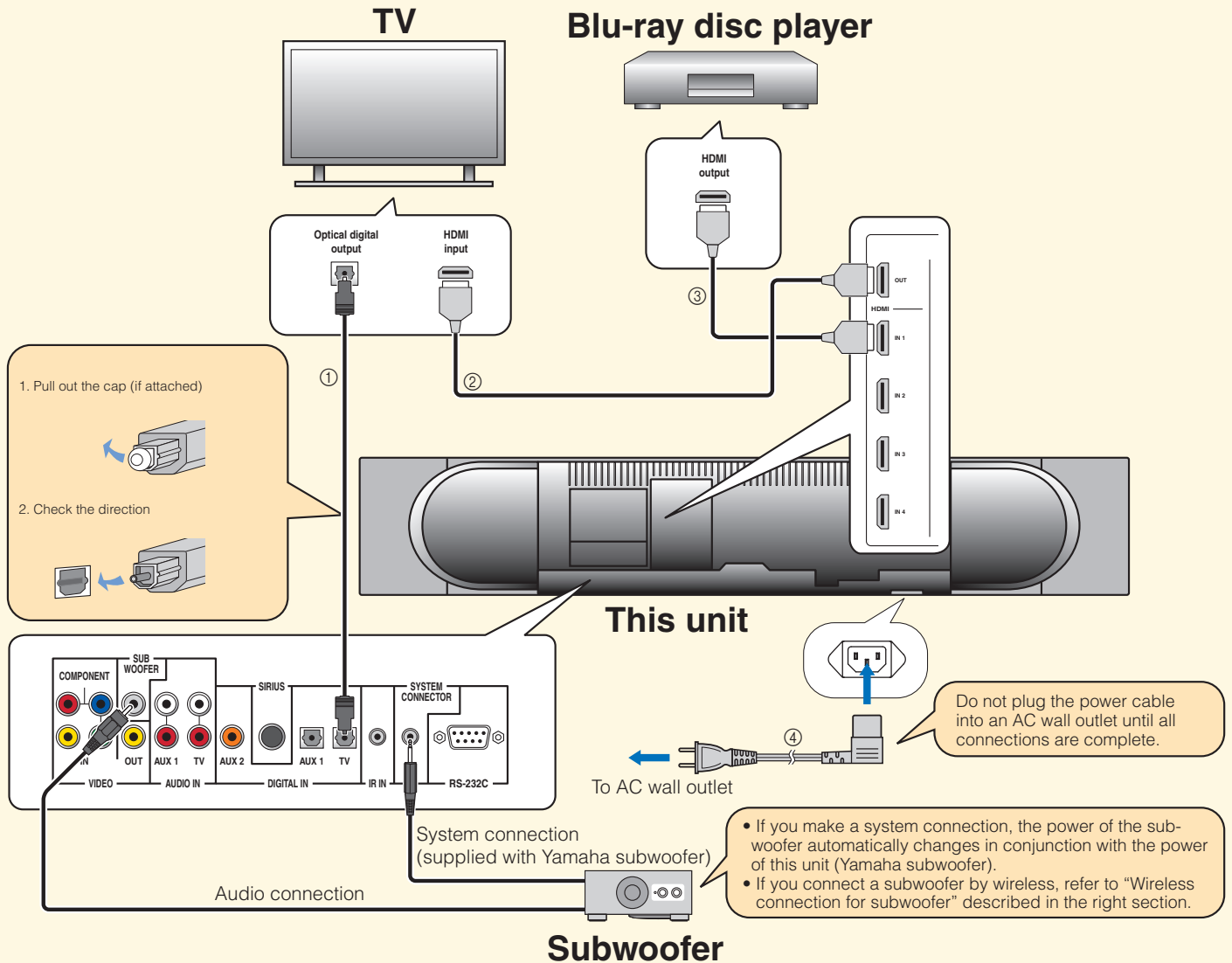
2 Connecting external components to this unit

Connect your TV and Blu-ray disc player to this unit.

The rear panel illustration shows jacks and their names to help you find them easily. They are not exactly the same as the ones on the actual rear panel of this unit. Do not plug the power cable into an AC wall outlet until all connections are complete.

Example - A

This example shows a way to make the most of the capability of this unit. You can enjoy Blu-ray disc audio and video with higher quality via the HDMI cable. In addition, by inputting TV sounds to this unit through the optical cable, you can enjoy multi-channel audio from the TV.



Connect cables in the order of the circled numbers.

Supplied	Sold separately
① Optical cable (to play back TV digital sounds on this unit)	② HDMI cable (to display the Blu-ray disc video and this unit's menu screen on the TV)
④ Power cable	③ HDMI cable (to input the digital audio/video signals of the Blu-ray disc to this unit)

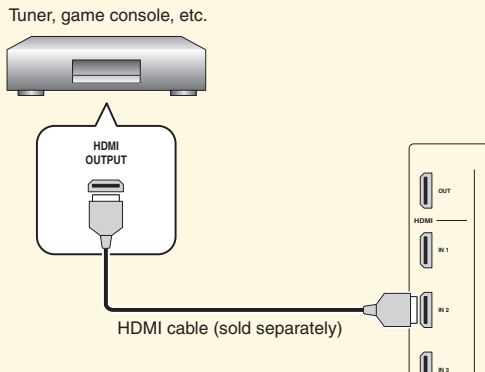


If you connect this unit to an HDMI control-compatible TV (except some models) via HDMI, you can use the remote control supplied with your TV to turn on or off the power, select the audio output component, and adjust the volume level of this unit. For details, see "Using the HDMI control function" of "Owner's Manual" (on the supplied CD-ROM).

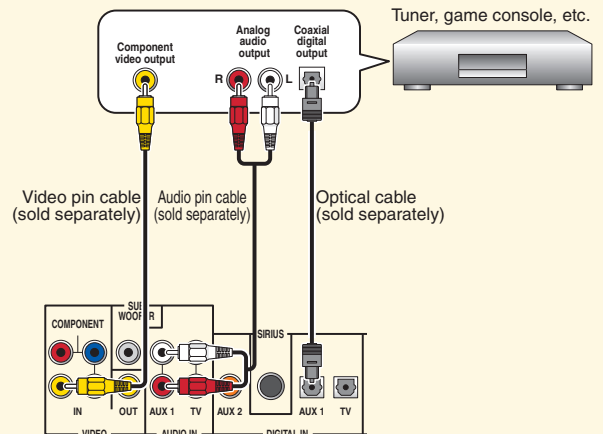
2 Connecting external components to this unit

These examples show ways to connect additional components (such as a tuner or game console), a subwoofer by wireless, and an indoor FM antenna. Do not plug the power supply cable into an AC wall outlet until all connections are complete.

Example - a This example shows a way to make the most of the capability of this unit. Connect your external component to one of the HDMI IN jacks of this unit.

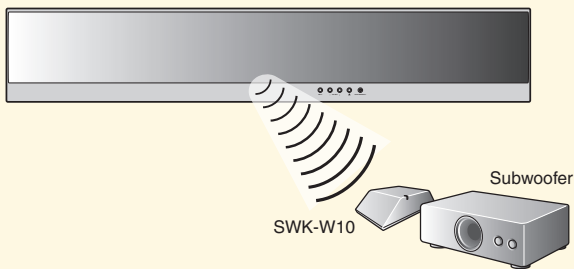


Example - b This example shows a way to connect your external component using the AUX1 (optical digital or stereo analog) and VIDEO IN jacks.



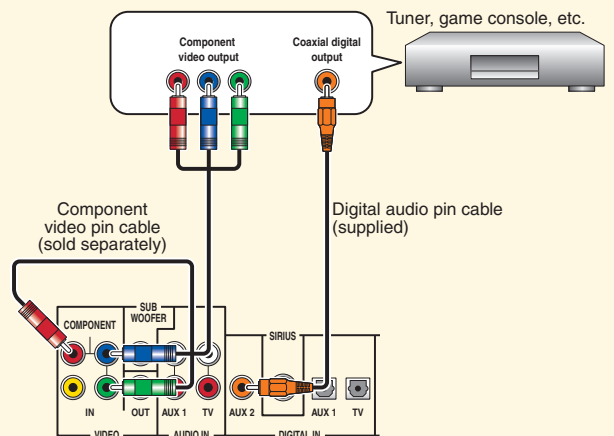
Wireless connection for subwoofer

This shows a way to connect a subwoofer by using the Yamaha wireless subwoofer kit (SWK-W10). For instructions on SWK-W10, refer to "Safety and Accessory Information" (separate booklet).



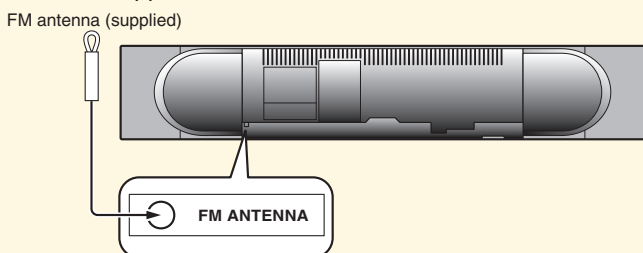
For proper transmission, you need to set the group IDs of this unit and SWK-W10 to the same value. For the Group ID setting of this unit, refer to "WIRELESS SETUP" of "Owner's Manual" (supplied CD-ROM).

Example - c This example shows a way to connect your external component using the AUX2 (coaxial digital) and COMPONENT VIDEO IN jacks.



Connecting the FM antenna

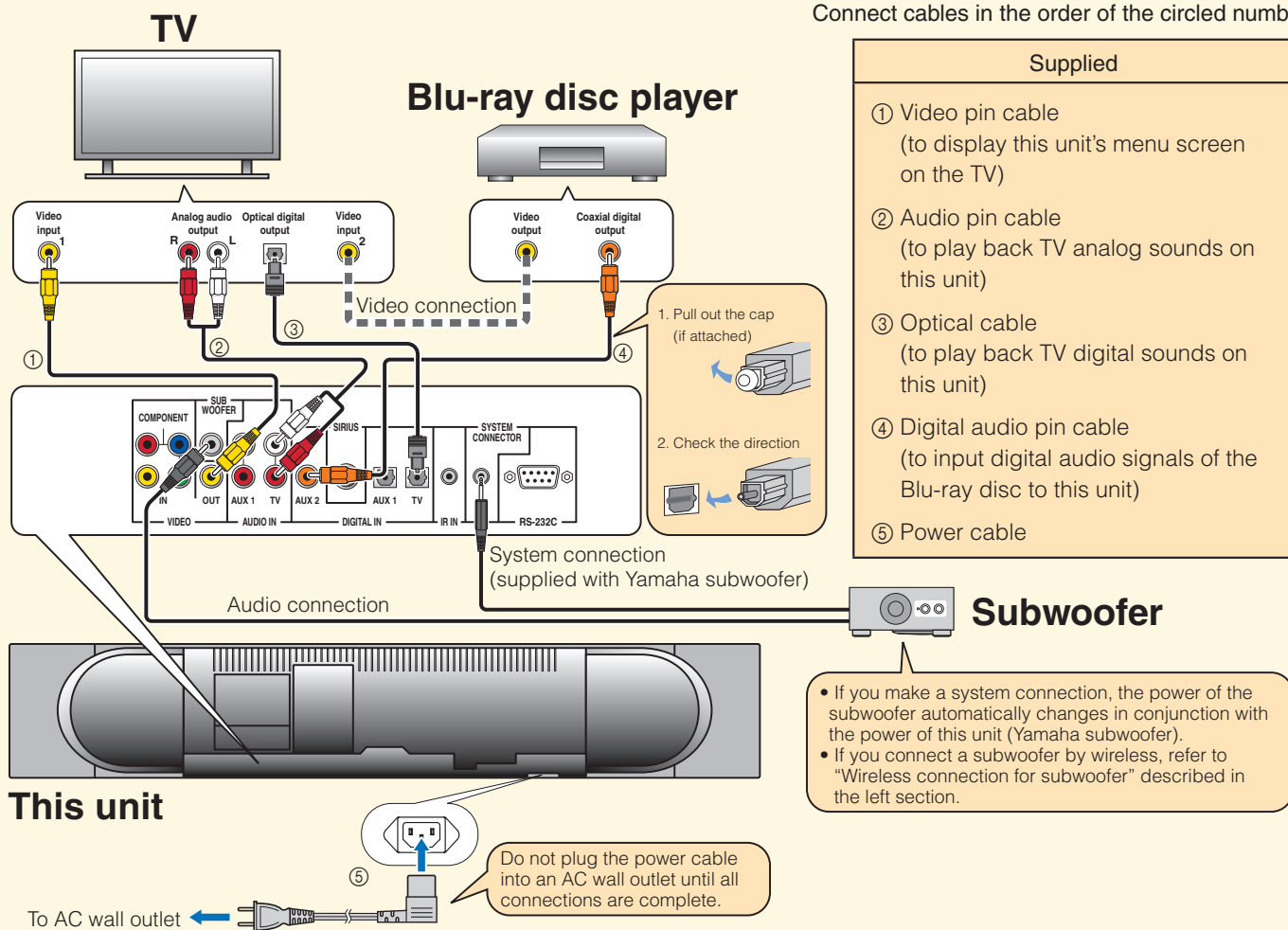
Connect the supplied FM antenna.



2 Connecting external components to this unit

Example - B

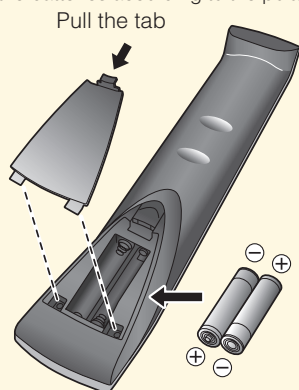
This example shows a way to connect a TV and Blu-ray disc player using the supplied cables. You can enjoy the multi-channel audio from the Blu-ray disc player and the analog/digital audio from the TV. Use the video pin cable supplied with your Blu-ray disc player to make a video connection between your Blu-ray disc player and this unit.



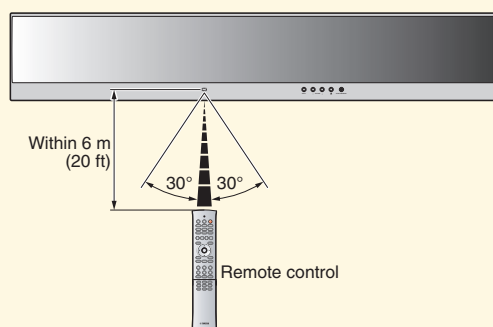
3 Preparing the remote control

Install batteries in the remote control.

Make sure you insert the batteries according to the polarity markings (+/-).



Operation range



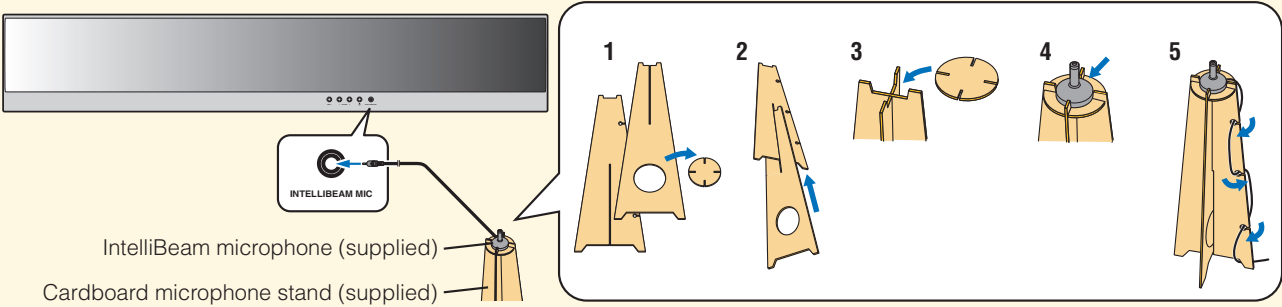
4 Carrying out the AUTO SETUP (IntelliBeam)

Carry out the AUTO SETUP to adjust the settings so that the best listening environment is created.

The IntelliBeam technology allows you to achieve sound adjustments that best match your listening environment. It is normal for loud test tones to be output during the AUTO SETUP procedure. Make sure that there are no children around in the listening room while the AUTO SETUP procedure is in progress.

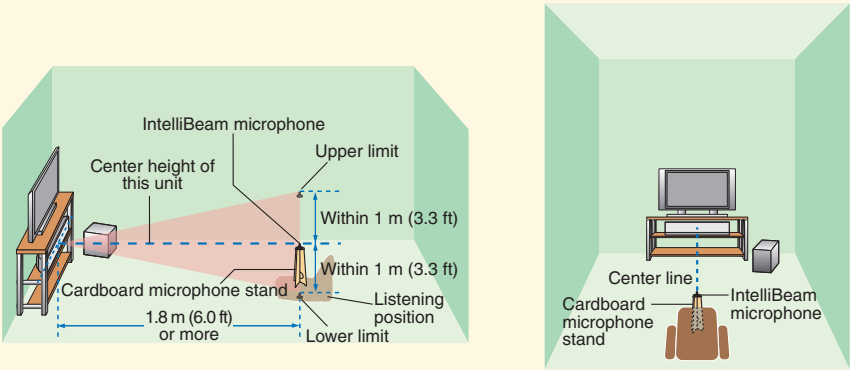
1 Connect the supplied IntelliBeam microphone to the INTELLIBEAM MIC jack on the front panel.

If necessary, use the supplied cardboard microphone stand. Assemble the stand and place the IntelliBeam microphone on top of it horizontally as shown below.



2 Set the IntelliBeam microphone at your normal listening position.

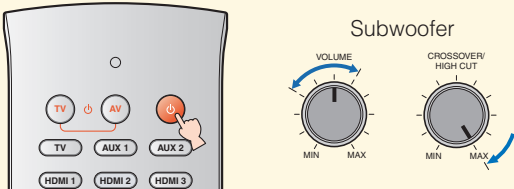
Use the supplied cardboard microphone stand or a tripod to place the IntelliBeam microphone at the same height as your ears would be when you are seated.



Place the IntelliBeam microphone on the extended center line of this unit and 1.8 m (6.0 ft) or more away from it. Also, make sure place the IntelliBeam microphone within 1 m (3.3 ft) upper or lower from the center height of this unit.

3 Press the Power (⏻) key on the remote control.

The power of this unit turns on. If a subwoofer with adjustable volume and crossover frequency controls is connected to this unit, turn it on, set the volume to about half way and then set the crossover frequency to the maximum as shown below.



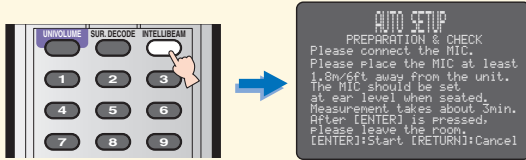
4 Turn on the power of your TV and select this unit as the video input on your TV.

If this unit is connected to the HDMI input on the TV (as shown in "Example - A"), switch the video input to "HDMI". If this unit is connected to the video input 1 on the TV (as shown in "Example - B"), switch the video input to "1".

4 Carrying out the AUTO SETUP (IntelliBeam)

5 Press and hold INTELLIBEAM for more than 2 seconds.

The INTELLIBEAM key is located inside of the slide cover.



6 Make sure that your listening room is as quiet as possible.

For accurate measurement, turn off air conditioner or other devices that make noises.

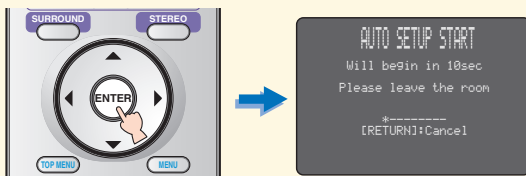
7 Prepare to leave the room.

The best setting may not be done if you are in the room. Prepare to leave the room in 10 seconds after pressing ENTER in step 8.



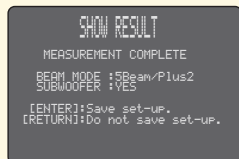
- When leaving the room, bring this Quick Reference Guide with you.
- Wait outside the room during the AUTO SETUP procedure.
- The AUTO SETUP procedure takes about 3 minutes.
- To cancel the AUTO SETUP procedure after it is started, press RETURN.

8 Press ENTER to start the AUTO SETUP procedure and then leave the room within 10 seconds.



The setup screen automatically changes during the AUTO SETUP procedure.

When the AUTO SETUP procedure is complete, the "SHOW RESULT" screen appears on the TV.



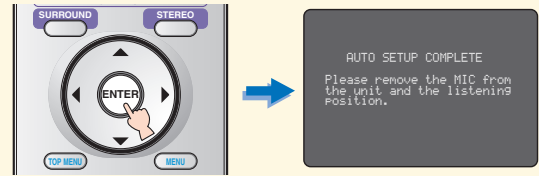
If "ENVIRONMENT CHECK (FAILED)" is displayed, see "Error messages for AUTO SETUP" of "Owner's Manual" (on the supplied CD-ROM) and then run the procedure again.



- The result may differ depending on the environment.
- If any error occurs, the corresponding error message appears on the screen. In this case, see "Error messages for AUTO SETUP" of "Owner's Manual" (on the supplied CD-ROM).

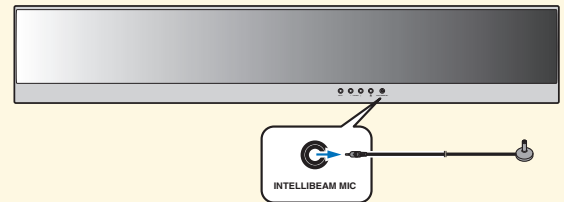
9 Press ENTER.

The following screen appears on the TV for 2 seconds and then the menu screen disappears from the TV.



10 Disconnect the IntelliBeam microphone.

Now the AUTO SETUP is complete. Keep the IntelliBeam microphone in a safe place. The settings are automatically saved in the system memory.



5 Checking digital audio input

You can check the digital signals being input from the Blu-ray disc player through the digital connection (HDMI, optical, coaxial) by using the supplied demonstration DVD.

1 Press HDMI1-4 or AUX1/2 to select the Blu-ray disc player as the input source and start playback of the demonstration DVD.



2 Check whether the DIGITAL indicator lights up.



- If the indicator does not light up, check the setting for digital audio output on the player. For details, see "Using the supplied demonstration DVD" (page 7 of "Safety and Accessory Information" (separate booklet)).

Basic playback operations

Playing back audio signals

Enjoying Blu-ray discs in surround sound

1 Select the Blu-ray disc player as the video input on your TV.

2 1) Press HDMI1-4 or AUX1/2 to select the Blu-ray disc player as the input source.

For example, if the Blu-ray disc player is connected to the HDMI IN 1 jack of this unit (as shown in "Example - A"), press HDMI1.

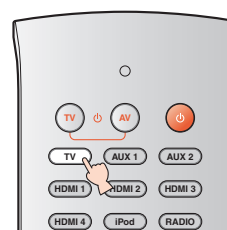


2) Start playback of a Blu-ray disc.

Enjoying TV in surround sound

1 Select the desired TV channel.

2 Press TV to select the TV as the input source.



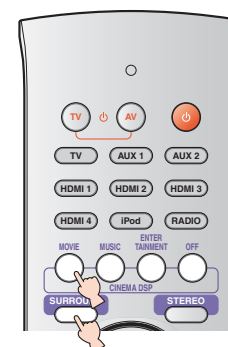
3 Press VOLUME +/- to adjust the volume.

If the TV speakers output sounds, mute it.



4 Press SURROUND and then the CINEMA DSP keys to select the desired CINEMA DSP program.

Each time you press the CINEMA DSP key, program switches. For details on each program, see "Enjoying CINEMA DSP programs" of "Owner's Manual" (on the supplied CD-ROM). To turn off the CINEMA DSP program, press OFF.



Playing back audio signals

Playing back iPod/iPhone

1 Prepare your iPod/iPhone and the Yamaha wireless transmitter for iPod (PDX-50TX/PDX-50BC).

For instructions on PDX-50TX/PDX-50BC, refer to "Safety and Accessory Information" (separate booklet).

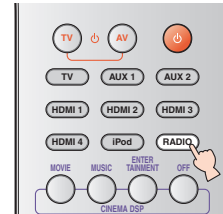
2 Start play back of your iPod/iPhone.



- For proper transmission, you need to set the group IDs of this unit and PDX-50TX to the same value. For the Group ID setting of this unit, refer to "WIRELESS SETUP" of "Owner's Manual" (supplied CD-ROM).

FM tuning

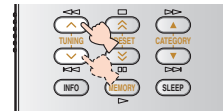
1 Press RADIO repeatedly to select "FM".



FM 88.9 MHz

2 Press TUNING \wedge / \vee .

Frequency is changed.



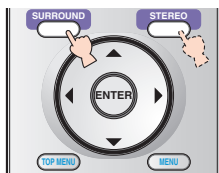
FM 92.5 MHz

Using the audio functions of this unit

Selecting surround or stereo playback

Press SURROUND or STEREO.

You can enjoy stereoscopic sound field with surround playback and hi-fi sound with stereo playback.



Adjusting volume level automatically (UNIVOLUME)

Press UNIVOLUME.

You can limit the volume level of the TV so that it will not increase suddenly when whenever the contents being broadcast change (due to commercials, etc.). The UNIVOLUME key is located inside of the slide cover.

