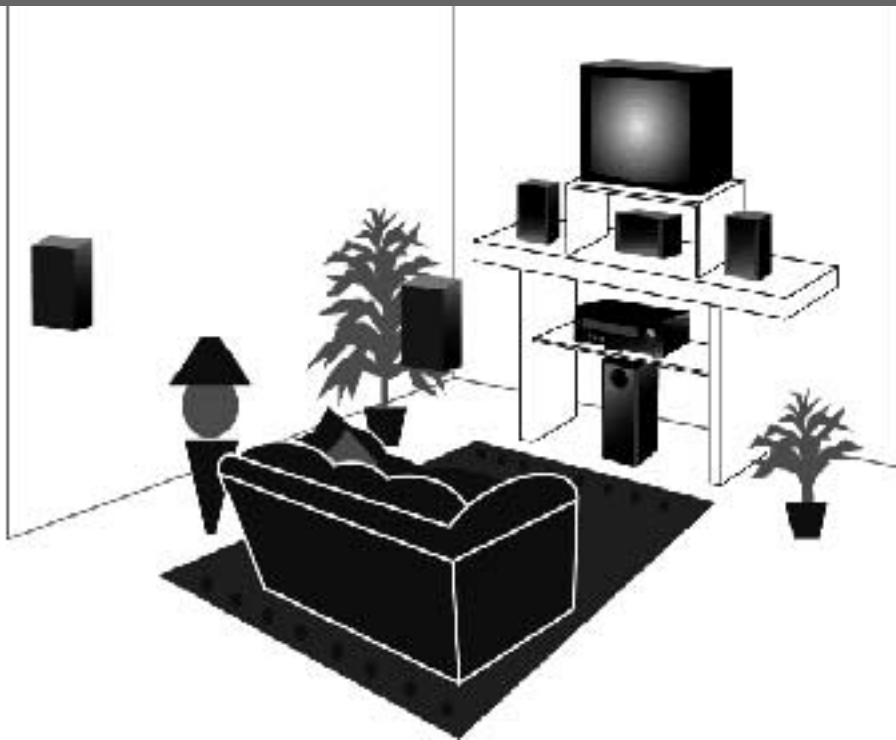




just add your TV and video source

# home theater

SURROUND SOUND SYSTEM



## YHT-300

QUICK-CONNECT GUIDE

## INTRODUCTION

Yamaha developed the YHT-300 A/V Home Theater package to turn your home into a theater. In addition to enhancing the sound of a video source, like your TV, DVD, or VCR, the YHT-300 also superbly reproduces audio sources, such as a CD player or a cassette deck.

This Quick-Connect Guide will help you get started. Study the speaker system plan (below), and then use the interconnect diagrams (on the following pages) to connect the receiver and speakers to your system.

For the video portion, you will need a DVD player or hi-fi stereo VCR and a television or monitor. Refer to the *Yamaha HTR-5540 Owner's Manual*, as well as those that came with your other components, for complete instructions and cautions. Be sure to turn off all power while making connections.

Save this Quick-Connect Guide for future reference.

*NOTE: Label the end of each speaker wire (i.e., left rear, right front, etc.) before connecting them to the A/V receiver. For wire runs over 30 feet, use larger 18- or 16-gauge speaker wire.*

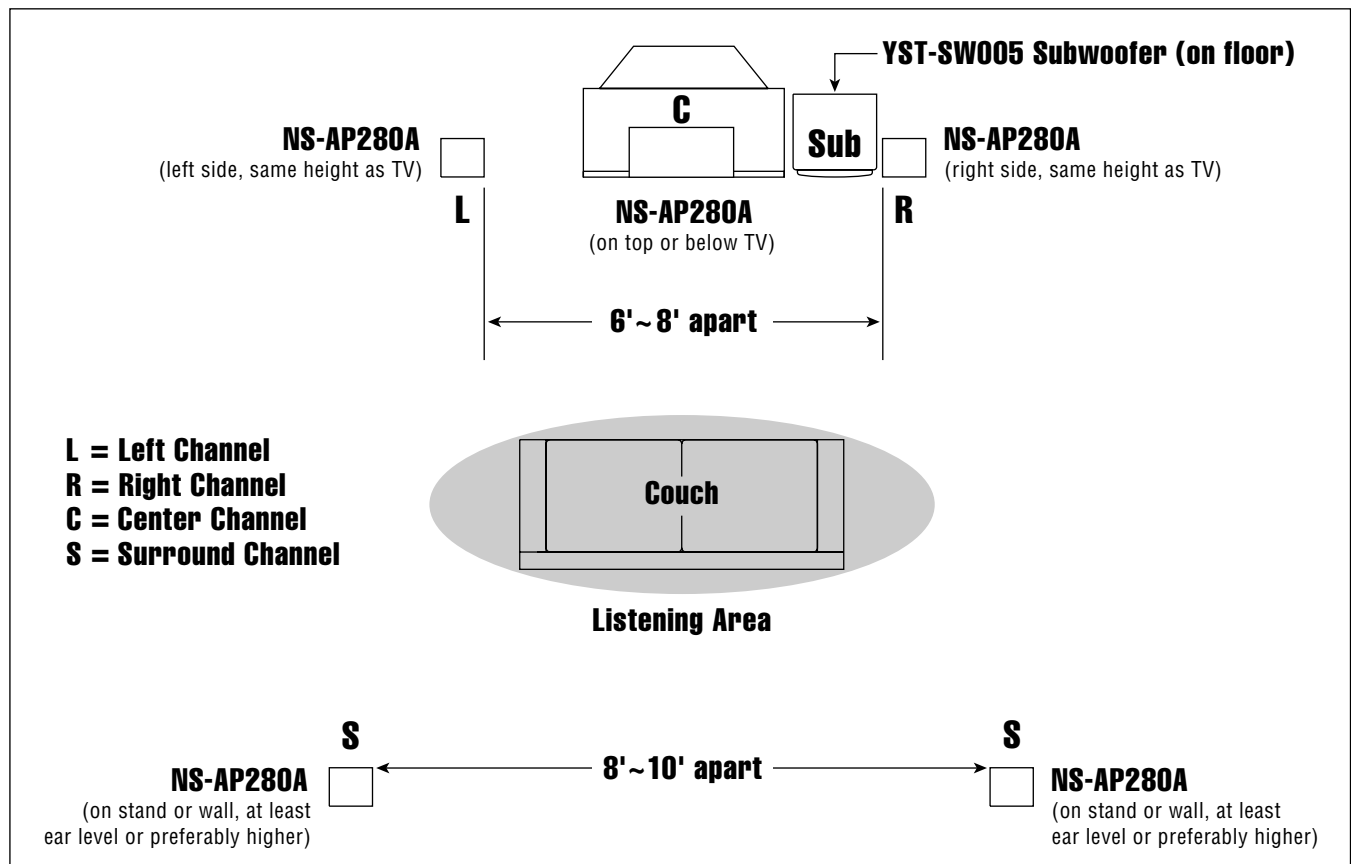
## TOOLS AND PARTS

The YHT-300 Home Theater package consists of (1) HTR-5540 A/V receiver with (1) remote control, (4) 2-way NS-AP280A front/rear speakers, (1) NS-AP280A 2-way center-channel speaker (includes factory installed rubber feet), (1) 100' of bulk speaker speaker wire, (1) 10' RCA audio cable, (1) YST-SW005 Powered Subwoofer, and related owner's manuals. You will also need:

- Σ Wire strippers (optional)
- Σ Brackets, toggle bolts, molly anchor screws, or sheet metal screws (for securing NS-AP280A speakers to □ walls)

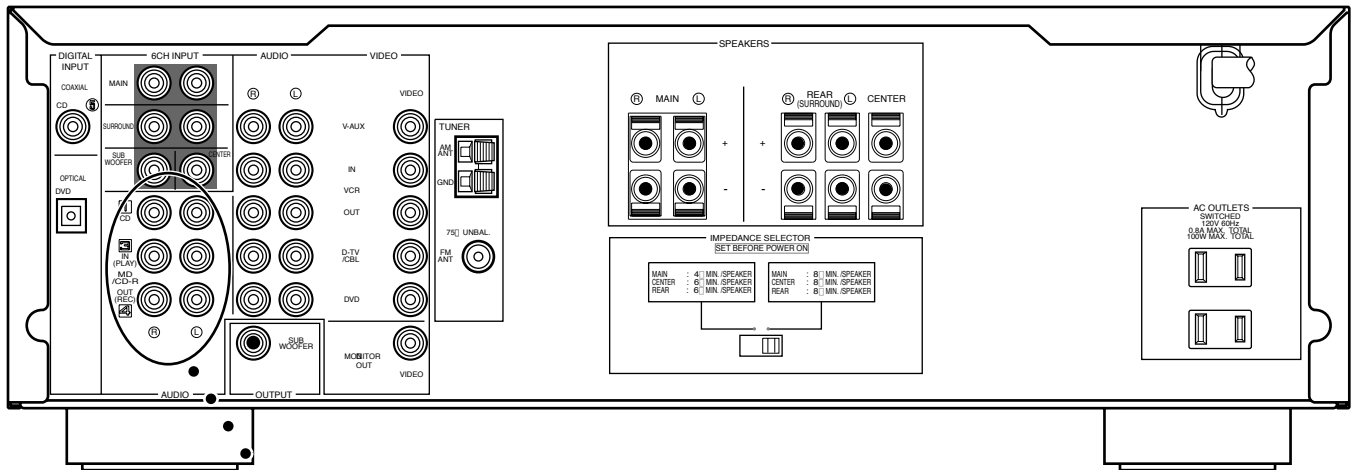
*NOTE: If you are unsure of how to securely and safely fasten speakers to a wall, please contact a reliable source about the best type of hardware for your particular wall's construction. Secure installation is the purchaser's responsibility.*

## SPEAKER SYSTEM PLAN

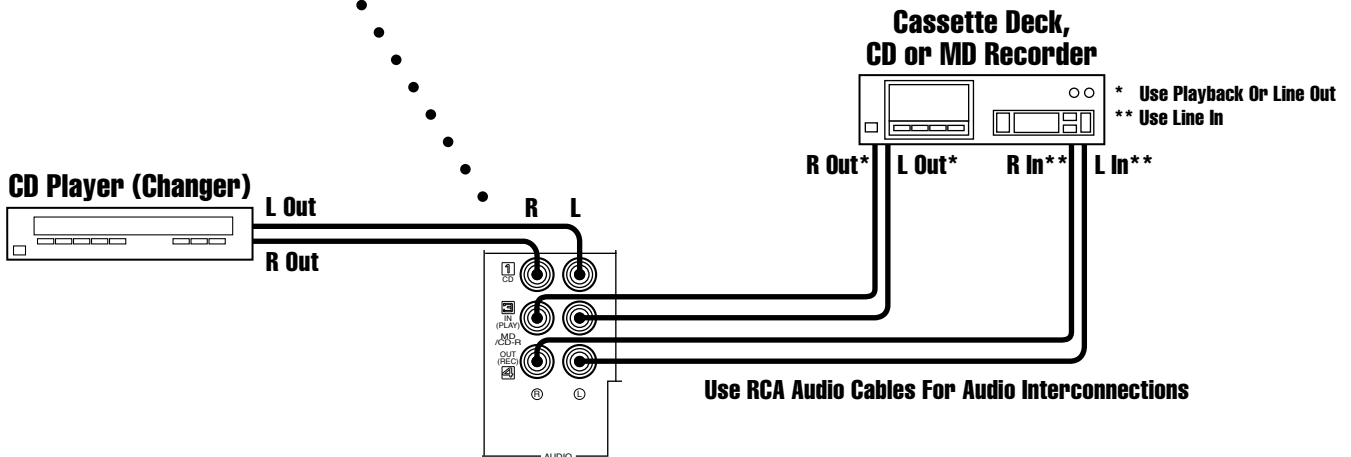


## CONNECTING AUDIO COMPONENTS

### Yamaha HTR-5540 Receiver (Rear Panel)

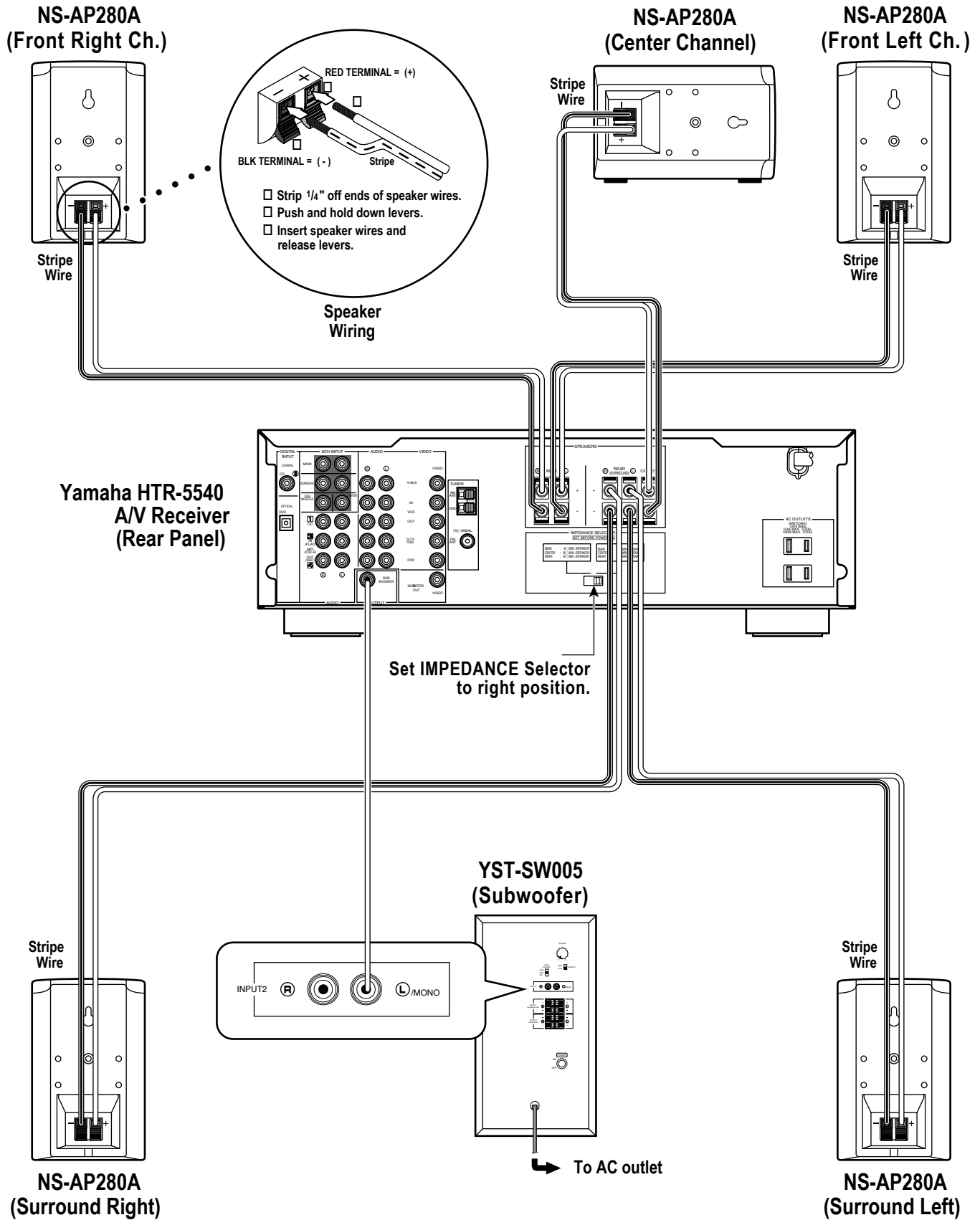


NOTE: For your convenience, the Yamaha HTR-5540 receiver is equipped with two switched AC outlets (100 W max.). If desired, use them to power on connected components (e.g., CD player) each time the receiver is turned on. However, do not use them for components equipped with clocks (e.g., VCR).



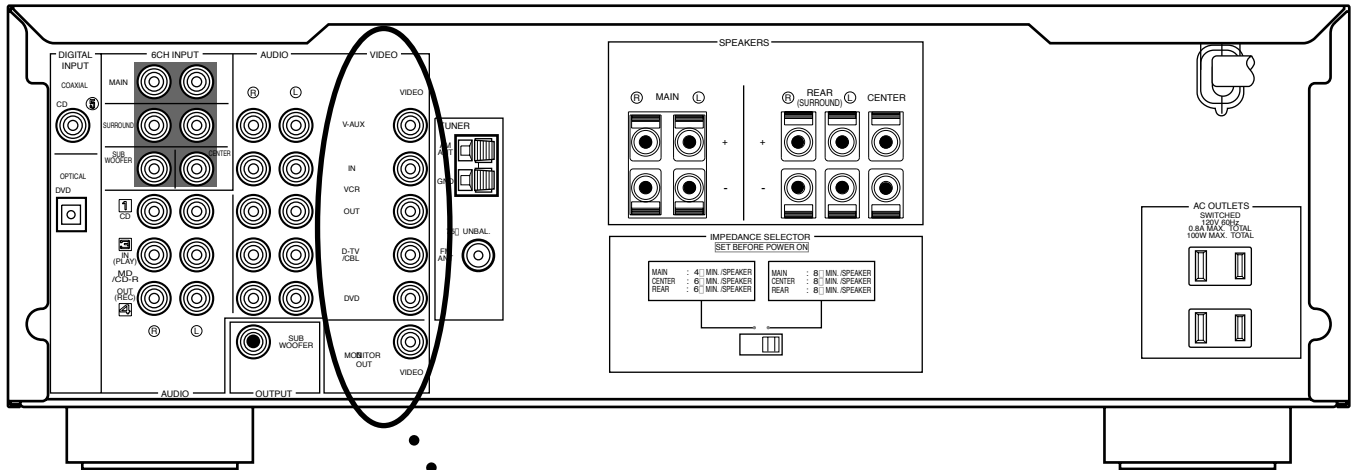
**RCA Cable Color Codes**  
**Yellow = Video**  
**White = Left Audio**  
**Red = Right Audio**

**CONNECTING THE YHT-300 SPEAKERS**



## CONNECTING VIDEO CABLES FOR VIDEO COMPONENTS

### Yamaha HTR-5540 Receiver (Rear Panel)

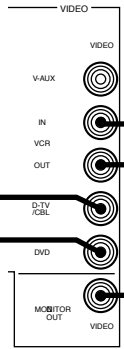
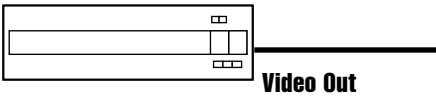


NOTE: When using a hi-fi stereo VCR, set the Tuner/Line switch (on the VCR) to Line position to record from another source connected to the Yamaha HTR-5540 receiver.

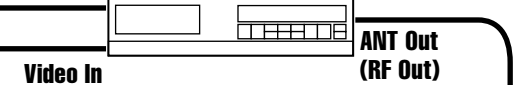
### Satellite Receiver (or Cable Box)



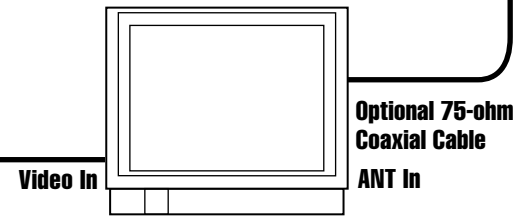
### DVD Player (or Video Game)



### Hi-Fi Stereo VCR



### Monitor/TV

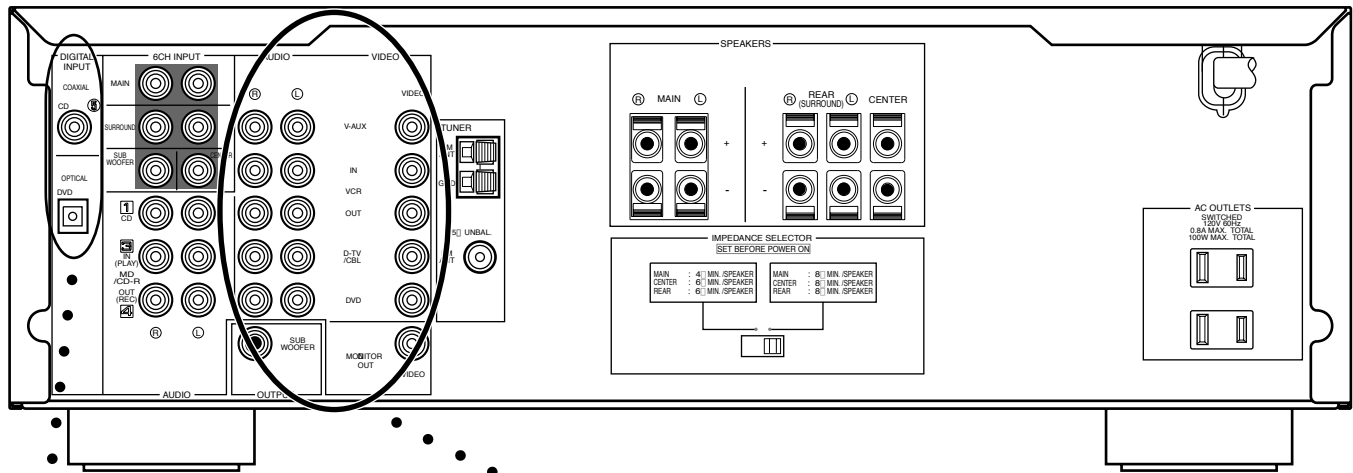


Use RCA Video Cables And Jacks For Video Interconnections

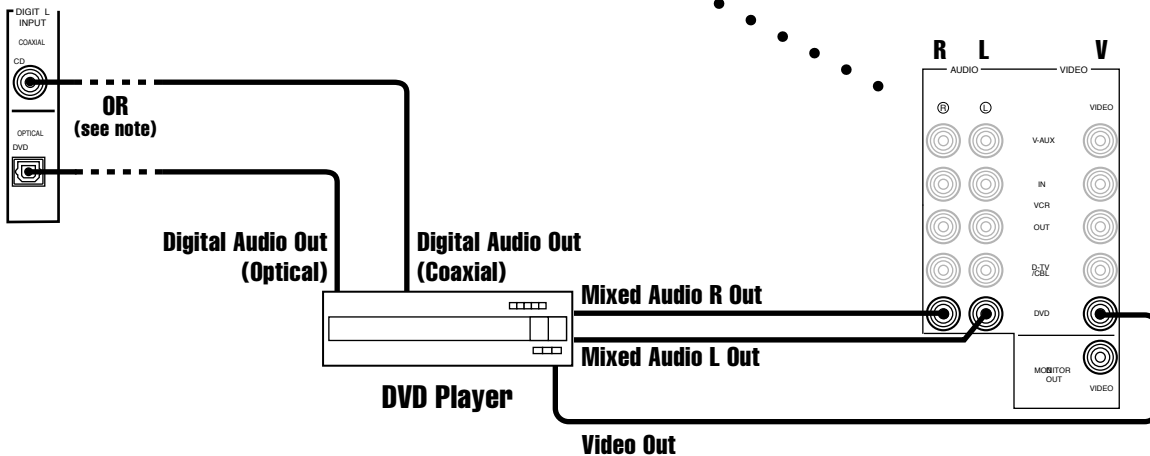
**RCA Cable Color Codes**  
 Yellow = Video  
 White = Left Audio  
 Red = Right Audio

## CONNECTING A DVD PLAYER

### Yamaha HTR-5540 Receiver (Rear Panel)



Use an RCA Video Cable And Jacks For Video Interconnections



NOTE: Your DVD player may have optical and coaxial digital-audio outputs.

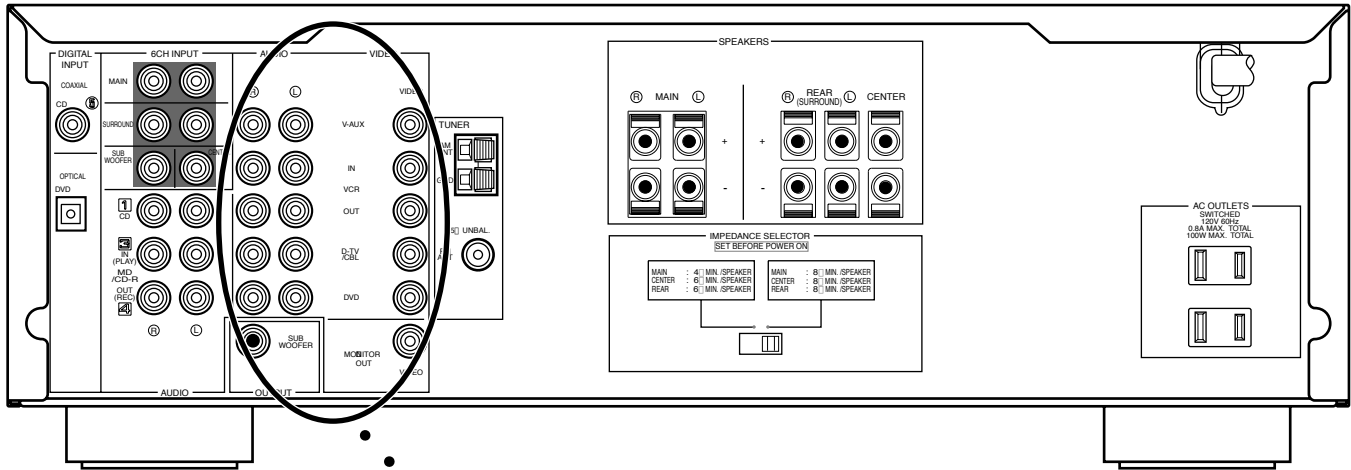
For optical connections, use an optical cable (available from your local audio dealer) to connect the optical output on the DVD player to the optical input, labeled DVD, on the the HTR-5540 receiver (see detail above).

For coaxial connections, use an RCA cable (available from your local audio dealer) to connect the RCA coaxial output on the DVD player to the coaxial input, labeled DIGITAL INPUT CD, on the HTR-5540 receiver (see detail above). Then rename the digital input on the HTR-5540 to "DVD" (see the HTR-5540 Owner's Manual for the procedure).

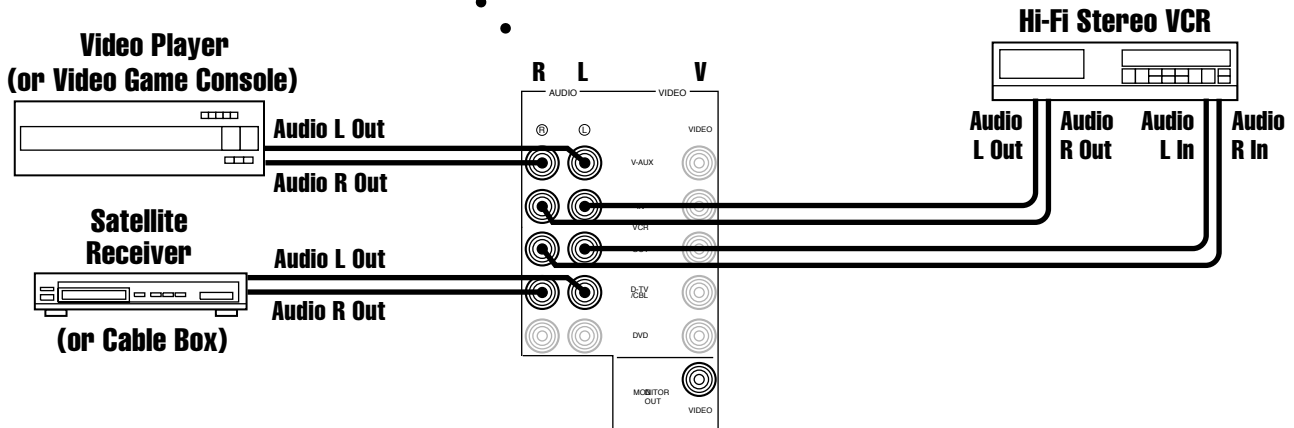
RCA Cable Color Codes	
Yellow	= Video
White	= Left Audio
Red	= Right Audio

## CONNECTING AUDIO CABLES FOR VIDEO COMPONENTS

### Yamaha HTR-5540 Receiver (Rear Panel)



NOTE: When using a hi-fi stereo VCR, set the Tuner/Line switch (on the VCR) to Line position to record from another source connected to the Yamaha HTR-5540 receiver.

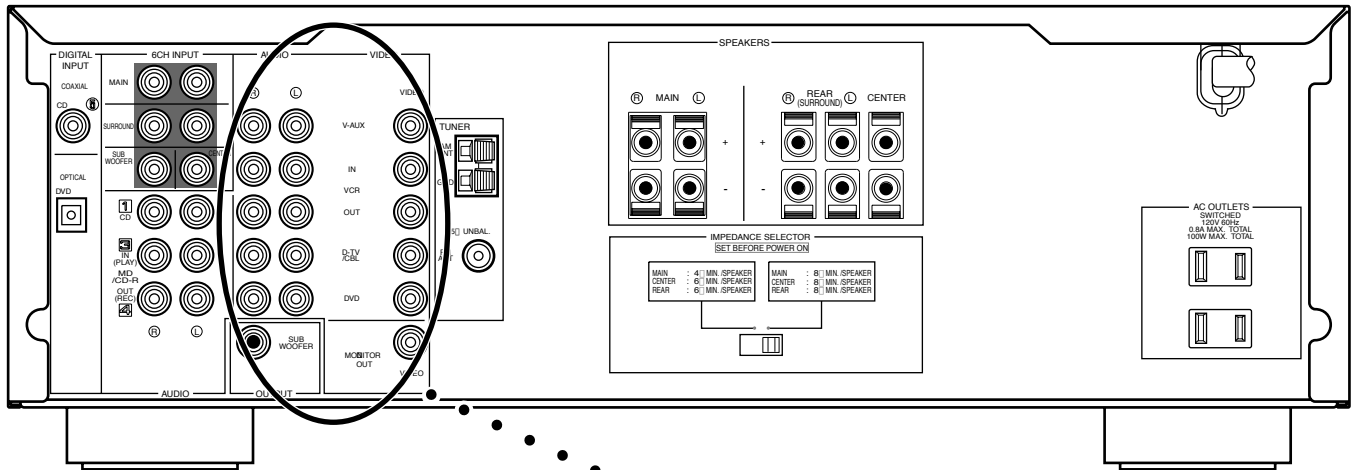


**RCA Cable Color Codes**  
 Yellow = Video  
 White = Left Audio  
 Red = Right Audio

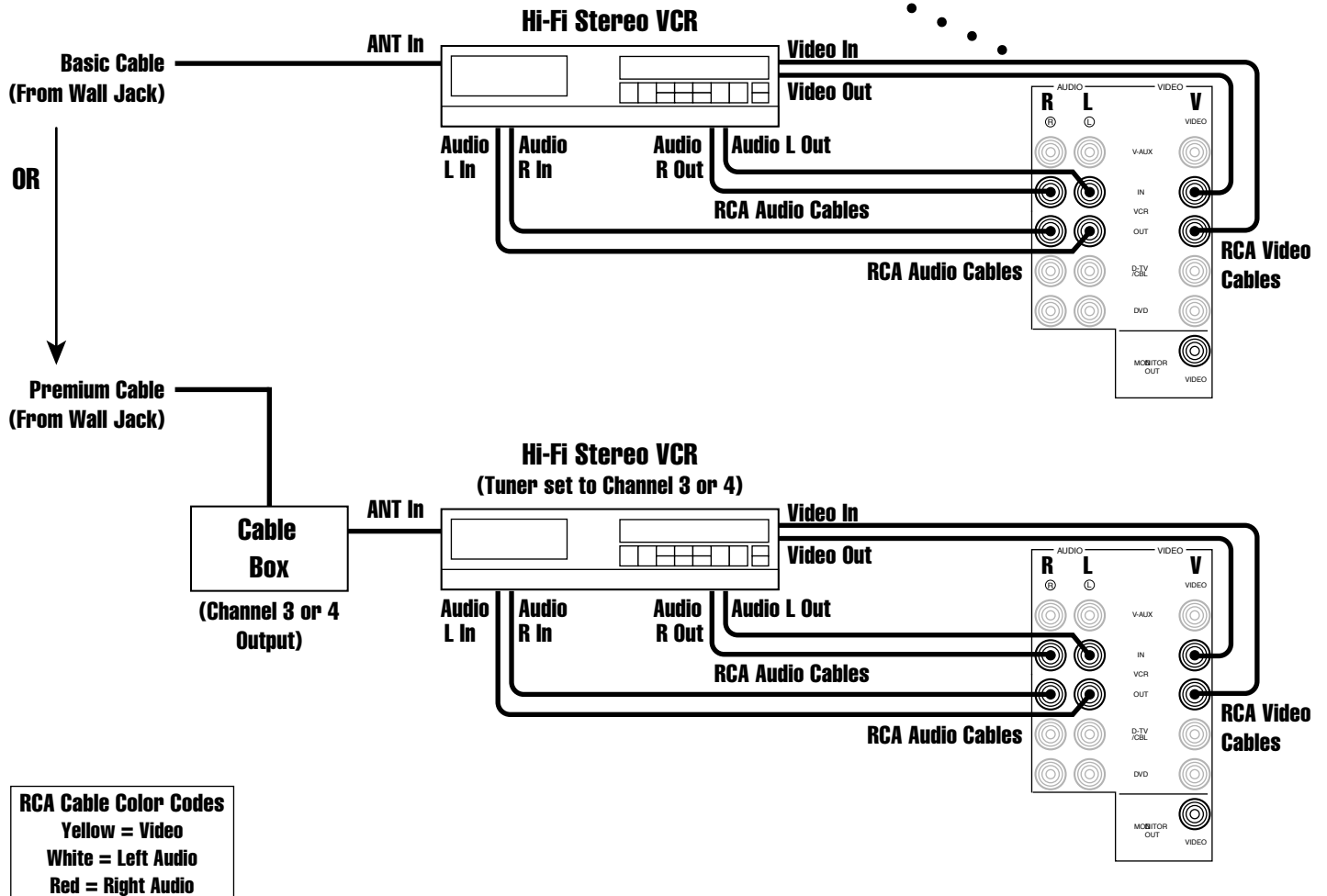
**Use RCA Audio Cables And Jacks For Audio Interconnections**

## CABLE HOOK-UP (BASIC AND PREMIUM CHANNELS)

Yamaha HTR-5540 Receiver (Rear Panel)



NOTE: When using a hi-fi stereo VCR, set the Tuner/Line switch (on the VCR) to Line position to record from another source connected to the Yamaha HTR-5540 receiver.



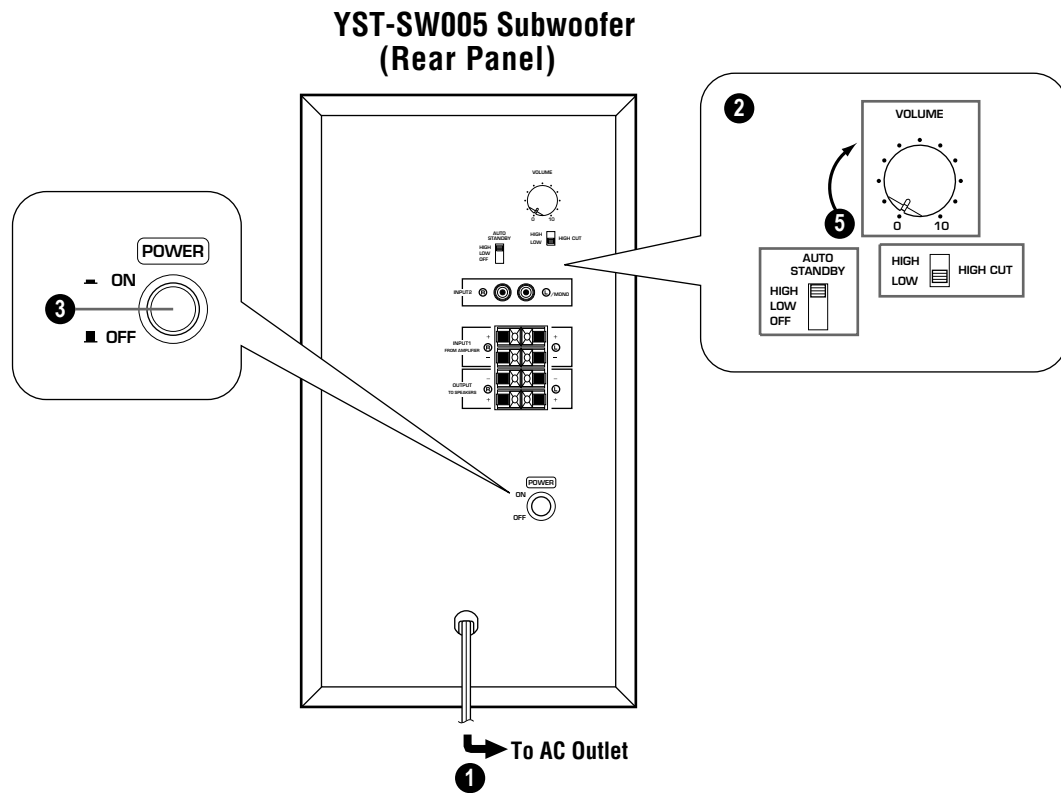


## INITIAL ADJUSTMENT OF THE YST-SW005 SUBWOOFER

To achieve the optimum volume balance between the Subwoofer and the NS-AP280A Main Speakers, perform the following procedure:

1. Insert the YST-SW005 power plug into a nearby AC outlet.
2. Set the YST-SW005 VOLUME control to 0 (minimum setting), the AUTO STANDBY switch to HIGH, and the HIGH CUT switch to LOW.
3. Press the YST-SW005 POWER button to ON and power on all other components.
4. Play an audio source and adjust the HTR-5540's VOLUME control to a desired listening level.
5. Increase the YST-SW005 volume control gradually to adjust the balance and volume between the YST-SW005 Subwoofer and the NS-AP280A Main Speakers.

*NOTE: Once the volume is balanced between the subwoofer and the main speakers, you can adjust the volume of your whole sound system by using the HTR-5540's VOLUME control.*

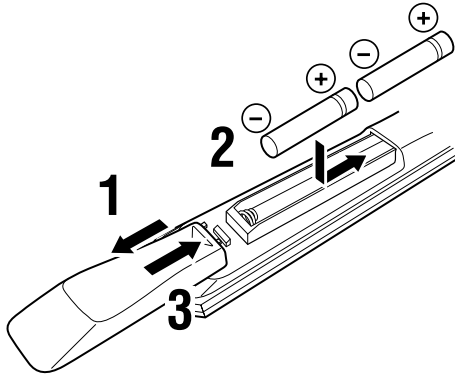


## THE REMOTE CONTROL

The YHT-300 Home Theater package includes a remote control. It comes pre-programmed to control your HTR-5440 receiver.

### INSTALLING BATTERIES IN THE REMOTE CONTROL

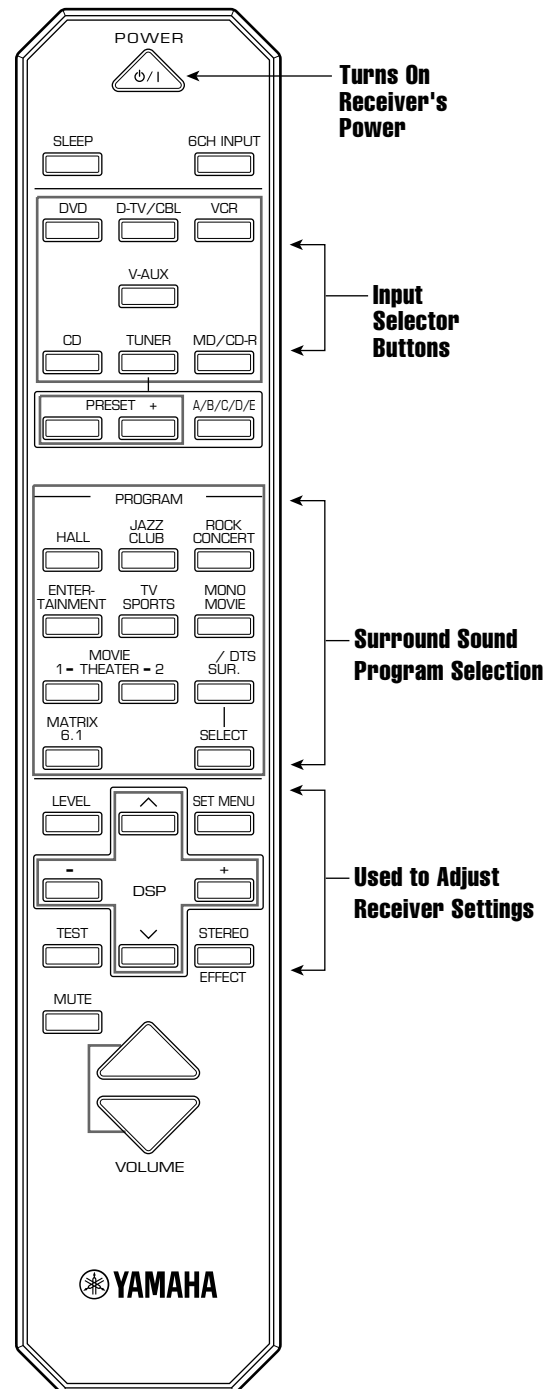
Insert the batteries in the correct direction by aligning the + and - marks on the batteries with the polarity markings (+ and -) inside the battery compartment.



- 1 Press the ▼ part and slide off the battery compartment cover.
- 2 Insert the 2 supplied batteries (AA) according to the polarity markings on the inside of the battery compartment.
- 3 Slide the cover back on so that it snaps into place .

### POWER On /Off

1. Aim the remote control at the receiver, press POWER.
2. The receiver should turn on.
3. Press the POWER button again to turn the receiver off.





©2002 YAMAHA ELECTRONICS CORPORATION, USA  
6660 Orangethorpe Avenue, Buena Park, CA 90620  
PH: (714) 522-9105; FAX: (888) 435-7922  
<http://www.yamaha.com>