

TT-N503

NETWORK TURNTABLE / PLATINE VINYLE CONNECTÉE

MusicCast VINYL 500

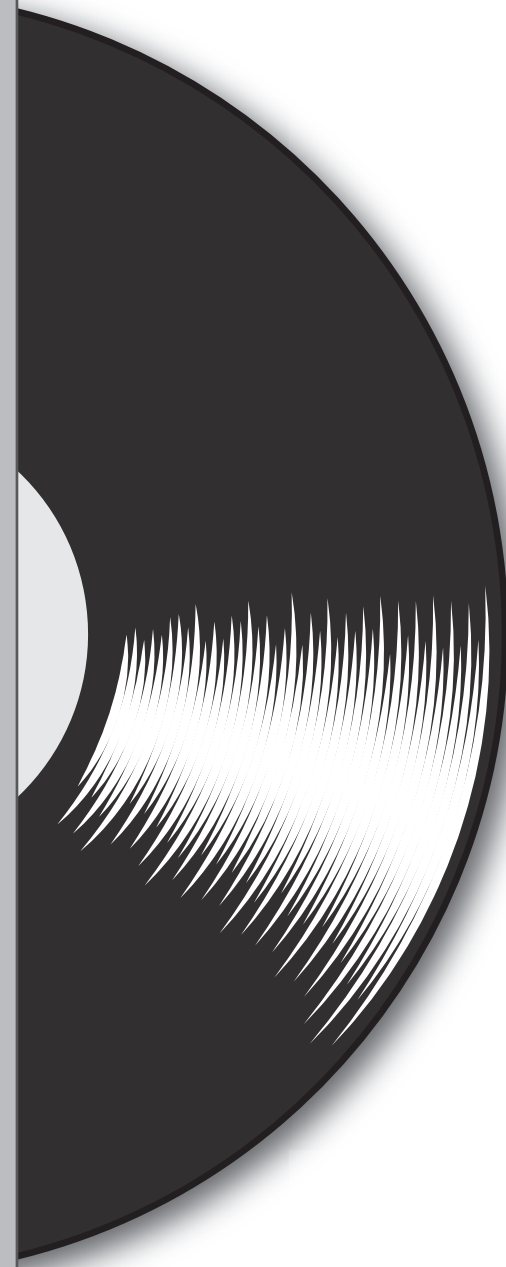
Owner's Manual
Mode d'emploi
Manual de instrucciones



English

Français

Español



This product is designed for use at home to enjoy listening to audio.

IMPORTANT SAFETY INSTRUCTIONS

- 1 Read these instructions.
- 2 Keep these instructions.
- 3 Heed all warnings.
- 4 Follow all instructions.
- 5 Do not use this apparatus near water.
- 6 Clean only with dry cloth.
- 7 Do not block any ventilation openings. Install in accordance with the manufacturer's instructions.
- 8 Do not install near any heat sources such as radiators, heat registers, stoves, or other apparatus (including amplifiers) that produce heat.
- 9 Do not defeat the safety purpose of the polarized or grounding-type plug. A polarized plug has two blades with one wider than the other. A grounding type plug has two blades and a third grounding prong. The wide blade or the third prong are provided for your safety. If the provided plug does not fit into your outlet, consult an electrician for replacement of the obsolete outlet.
- 10 Protect the power cord from being walked on or pinched particularly at plugs, convenience receptacles, and the point where they exit from the apparatus.
- 11 Only use attachments/accessories specified by the manufacturer.
- 12 Use only with the cart, stand, tripod, bracket, or table specified by the manufacturer, or sold with the apparatus. When a cart is used, use caution when moving the cart/apparatus combination to avoid injury from tip-over.
- 13 Unplug this apparatus during lightning storms or when unused for long periods of time.



- 14 Refer all servicing to qualified service personnel. Servicing is required when the apparatus has been damaged in any way, such as power-supply cord or plug is damaged, liquid has been spilled or objects have fallen into the apparatus, the apparatus has been exposed to rain or moisture, does not operate normally, or has been dropped.

WARNING

TO REDUCE THE RISK OF FIRE OR ELECTRIC SHOCK, DO NOT EXPOSE THIS APPARATUS TO RAIN OR MOISTURE.

(UL60065_03)

(For U.S.A.)

IMPORTANT

Please record the serial number of this unit in the space below.

Model

Serial No.

The serial number is located on the bottom or rear of the unit. Retain this Owner's Manual in a safe place for future reference.

* This applies only to products distributed by YAMAHA CORPORATION OF AMERICA.

(Ser.No)

FCC INFORMATION (U.S.A.)

1. **IMPORTANT NOTICE: DO NOT MODIFY THIS UNIT!**
This product, when installed as indicated in the instructions contained in this manual, meets FCC requirements. Modifications not expressly approved by Yamaha may void your authority, granted by the FCC, to use the product.
2. **IMPORTANT:** When connecting this product to accessories and/or another product use only high quality shielded cables. Cable/s supplied with this product MUST be used. Follow all installation instructions. Failure to follow instructions could void your FCC authorization to use this product in the USA.
3. **NOTE:** This product has been tested and found to comply with the requirements listed in FCC Regulations, Part 15 for Class "B" digital devices. Compliance with these requirements provides a reasonable level of assurance that your use of this product in a residential environment will not result in harmful interference with other electronic devices. This equipment generates/uses radio frequencies and, if not installed and used according to the instructions found in the users manual, may cause interference harmful to the operation of other electronic devices.

Compliance with FCC regulations does not guarantee that interference will not occur in all installations. If this product is found to be the source of interference, which can be determined by turning the unit "OFF" and "ON", please try to eliminate the problem by using one of the following measures:

Relocate either this product or the device that is being affected by the interference.

Utilize power outlets that are on different branch (circuit breaker or fuse) circuits or install AC line filter/s.

In the case of radio or TV interference, relocate/reorient the antenna. If the antenna lead-in is 300 ohm ribbon lead, change the lead-in to co-axial type cable.

If these corrective measures do not produce satisfactory results, please contact the local retailer authorized to distribute this type of product. If you can not locate the appropriate retailer, please contact Yamaha Corporation of America, A/V Division, 6600 Orangethorpe Ave, Buena Park, CA90620

The above statements apply ONLY to those products distributed by Yamaha Corporation of America or its subsidiaries.

* This applies only to products distributed by YAMAHA CORPORATION OF AMERICA.

(class B)

FCC/IC NOTICE (U.S.A. and Canada)

This equipment complies with FCC/IC radiation exposure limits set forth for an uncontrolled environment and meets the FCC radio frequency (RF) Exposure Guidelines and RSS-102 of the IC radio frequency (RF) Exposure rules. This equipment should be installed and operated keeping the radiator at least 20 cm or more away from person's body.

This transmitter must not be co-located or operated in conjunction with any other antenna or transmitter.

COMPLIANCE INFORMATION STATEMENT (DECLARATION OF CONFORMITY PROCEDURE)

Responsible Party: Yamaha Corporation of America
Address: 6600 Orangethorpe Ave., Buena Park, Calif. 90620
Telephone: 714-522-9011
Type of Equipment: Network Turntable
Model Name: TT-N503

This device complies with part 15 of FCC Rules and Industry Canada's licence-exempt RSSs. Operation is subject to the following two conditions:

- (1) this device may not cause harmful interference, and
- (2) this device must accept any interference received, including interference that may cause undesired operation.

See user manual instructions if interference to radio reception is suspected.

* This applies only to products distributed by YAMAHA CORPORATION OF AMERICA. (FCC DoC)

(for Canada)

5150-5350 MHz band is restricted to indoor operation only.

High-power radars are allocated as primary users (i.e. priority users) of the bands 5250-5350 MHz and 5650-5850 MHz and that these radars could cause interference and/or damage to LE-LAN devices.

CAN ICES-3 (B)/NMB-3(B)

(can_b_02)

PRECAUTIONS

PLEASE READ CAREFULLY BEFORE USE. BE SURE TO FOLLOW THESE INSTRUCTIONS.

The precautions listed below are to prevent risk of harm to the user and others, as well as to prevent property damage, and to help the user use this unit properly and safely. Be sure to follow these instructions.

After reading this manual, be sure to keep it in a safe place where it can be referenced at any time.

- Be sure to request inspections or repairs from the dealer where you purchased the unit or from qualified Yamaha service personnel.
- Yamaha cannot be held responsible for injury to you or damage of the products caused by improper use or modifications to the unit.
- This product is for ordinary homes. Do not use for applications requiring high reliability, such as managing lives, health care or high-value assets.



WARNING

This content indicates “risk of serious injury or death.”

Power supply/AC adaptor

- Do not do anything that could damage the power cord.
 - Do not place it near a heater.
 - Do not bend it excessively or alter it.
 - Do not scratch it.
 - Do not place it under a heavy object.Using the power cord with the core of the cord exposed could cause electric shocks or a fire.
- Do not touch the power plug or cord if there is a chance of lightning. Failure to observe this may cause electric shocks.
- Use this unit with the power supply voltage printed on it. Failure to connect to an appropriate AC outlet may cause a fire, electric shocks, or malfunctions.
- Be sure to use the supplied AC adaptor. Failure to observe the above may cause a fire, burns, or malfunctions.
- Check the electric plug periodically and remove any dirt or dust which may have accumulated on it. Failure to observe this may cause a fire or electric shocks.

- When setting up the unit, make sure that the AC outlet you are using is easily accessible. If some trouble or malfunction occurs, immediately turn off the power switch and disconnect the plug from the AC outlet. Even when the power switch is turned off, as long as the power cord is not unplugged from the wall AC outlet, the unit will not be disconnected from the power source.
- If you hear thunder or suspect approaching lightning, quickly turn off the power switch and pull the power plug from the AC outlet. Failure to observe this may cause a fire or malfunctions.
- If not using the unit for long periods of time, be sure to pull the power plug from the AC outlet. Failure to observe this may cause a fire or malfunctions.

Do not disassemble

- Do not disassemble or modify this unit. Failure to observe this may cause a fire, electric shocks, injury, or malfunctions. If you notice any irregularities, be sure to request an inspection or repair from the dealer where you purchased the unit or from qualified Yamaha service personnel.

Water warning

- Do not expose the unit to rain, use it near water or in damp or wet conditions, or place on it any containers (such as vases, bottles or glasses) containing liquids which might spill into any openings or places where water may drop. A liquid such as water getting into the unit may cause a fire, electric shocks, or malfunctions. If any liquid such as water seeps into the device, turn off the power immediately and unplug the power cord from the AC outlet. Then, request an inspection from the dealer where you purchased the unit or from qualified Yamaha service personnel.
- Never insert or remove an electric plug with wet hands. Do not handle this unit with wet hands. Failure to observe this may cause electric shocks or malfunctions.

Fire warning

- Do not place any burning items or open flames near the unit, since they may cause a fire.

Wireless unit

- Do not use this unit near medical devices or inside medical facilities. Radio waves from this unit may affect electro-medical devices.
- Do not use this unit within 15 cm (6 in) of persons with a heart pacemaker implant or a defibrillator implant. Radio waves from this unit may affect electro-medical devices, such as a heart pacemaker implant or defibrillator implant.

If you notice any abnormality

- If any of the following abnormalities occur, immediately turn off the power and disconnect the power plug.
 - The power cord/plug is damaged.
 - An unusual smell or smoke is emitted from the unit.
 - Foreign material gets into the interior of the unit.
 - There is a crack or damage in the unit.Continued use could cause electric shocks, a fire, or malfunctions. Immediately request an inspection or repair from the dealer where you purchased the unit or from qualified Yamaha service personnel.
- Be careful not to drop or apply strong impact to this unit or the AC adaptor. If you suspect the unit may have been damaged due to dropping or impact, immediately turn off the power and pull the power plug from the AC outlet. Failure to observe this may cause electric shocks, a fire, or malfunctions. Immediately request an inspection from the dealer where you purchased the unit or from qualified Yamaha service personnel.



CAUTION

This content indicates “risk of injury.”

Power supply/AC adaptor

- Do not cover or wrap the AC adaptor with a cloth or blanket. Failure to observe this may trap heat, causing deformation in the case or a fire.
- Do not use an AC outlet where the power plug fits loosely when inserted. Failure to observe this may cause a fire, electric shocks, or burns.
- When removing the electric plug from the unit or an AC outlet, always hold the plug itself and not the cord. Pulling by the cord can damage it and cause electric shocks or a fire.
- Insert the power plug firmly all the way into the AC outlet. Using the unit when it is not plugged in sufficiently can cause dust to accumulate on the plug, causing a fire or burns.

Installation

- Do not place the unit in an unstable position where it might accidentally drop or fall over and cause injuries.
- When installing this unit:
 - Do not cover it with any cloth.
 - Do not install it on a carpet or rug.
 - Make sure the top surface faces up; do not install on its sides or upside down.
- Ensure that the top is facing upwards. Failure to observe this may cause malfunctions or for the unit to fall and cause injury.

- Do not install the unit in places where it may come into contact with corrosive gases or salt air or places that have excessive smoke or steam. Doing so may result in malfunction.
- Avoid being near the unit during a disaster, such as an earthquake. Since the unit may turn over or fall and cause injury, quickly move away from the unit and go to a safe place.
- Before moving this unit, be sure to turn off the power switch and disconnect all connection cables. Failure to observe this may damage the cables or cause you or someone else to trip and fall.

Hearing loss

- Before connecting the unit to other devices, turn off the power for all devices. Failing to do so may result in hearing loss, electric shock, or device damage.
- When turning on the AC power in your audio system, always turn on the amplifier or receiver LAST, to avoid hearing loss and speaker damage. When turning the power off, the amplifier or receiver should be turned off FIRST for the same reason. Failure to observe the above may cause hearing impairment or speaker damage.

Maintenance

- Remove the power plug from the AC outlet before cleaning the unit. Failure to observe this may cause electric shocks.

Handling caution

- Keep small parts out of the reach of infants. Your children may accidentally swallow them.
- Do not do the following:
 - stand on or sit on the equipment.
 - put heavy items on top of the equipment.
 - place the equipment in a stack.
 - apply unreasonable force to buttons, switches, input/output terminals, etc.
 - lean against the equipment.
- Avoid pulling the connected cables to prevent injuries or damage to the unit by causing it to fall.

Notice

Indicates points that you must observe in order to prevent product failure, damage or malfunction and data loss.

Power supply/AC adaptor

- If not using the unit for a long period of time, be sure to pull the power plug from the outlet. A minute current is still flowing even if the power has been turned off (the power is in standby).

Installation

- Do not use this unit in the vicinity of other electronic equipment, such as a TV, radio, or mobile phone. Failure to observe this may cause this unit or the TV or radio to produce noise.
- Do not use this unit in a location that is exposed to direct sunlight that becomes extremely hot, such as near a heater, or extremely cold, or that is subject to excessive dust or vibration. Failure to observe this may cause the unit's panel to become deformed, the internal components to malfunction, or for operation to become unstable.
- If using a wireless function, avoid installing this unit near metal walls or desks, microwave ovens, or other wireless network devices. Obstructions could shorten the transmission distance.

Connections

- If connecting external units, be sure to thoroughly read the manual for each unit and connect them in accordance with the instructions.

Failure to properly handle a unit in accordance with the instructions could cause malfunctions.

Handling

- Do not place plastic or rubber products on this unit. Failure to observe this may cause discoloration or deformation in the panel of this unit.
- If the ambient temperature changes drastically (such as during unit transportation or under rapid heating or cooling) and there is a chance condensation may have formed in the unit, leave the unit for several hours without turning on the power until it is completely dry before use. Using the unit while there is condensation can cause malfunctions.

Maintenance

- If the temperature or humidity changes drastically, water droplets (condensation) may form on the unit surface. If water droplets form, immediately wipe them off with a soft cloth. If water droplets are left on the unit, they may be absorbed into the wooden parts, causing deformation.
- When cleaning the unit, use a dry, soft cloth. Using chemicals such as benzine or thinner, cleaning agents, or chemical scrubbing cloths can cause discoloration or deformation.

Information

About content in this manual

- The illustrations and screens in this manual are for instructional purposes only.
- The company names and product names in this manual are the trademarks or registered trademarks of their respective companies.
- Software may be revised and updated without prior notice.

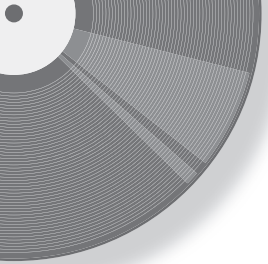
■ About the name plate of the unit

The model number, serial number, power requirements, etc., may be found on or near the name plate, which is at the bottom of the unit. You should note this serial number in the space provided below and retain this manual as a permanent record of your purchase to aid identification in the event of theft.

Model No.

Serial No.

(bottom_en_01)



Contents

Before you start **10**

What you can do with the unit	10
About this manual	11
Handling records	11
Check the supplied accessories	11
Parts and their functions	12
Top panel	12
Back panel	14

Getting ready **15**

Location	15
Assembly	15
Assembling the unit	15
Attaching the dust cover	17
Making connections	18
Connecting to an amplifier	18
Connecting a network cable	19
Making adjustments	20
Adjusting the stylus pressure	20
Adjusting the anti-skating	22
Turning the power on	22
About this unit's standby modes	22
Connecting the unit to the network	23

Playback 25

Listening to a record	25
Listening to Internet radio	28
Listening to streaming services	28
Playing music files stored on a media server (PC/NAS)	29
Media sharing setup	29
Playing music files	29
Listening to music via Bluetooth.	30
Listening to music via AirPlay	31
Using MusicCast CONTROLLER to register favorites	31

Detailed settings 32

Making settings via MusicCast CONTROLLER . . .	32
Setting the sleep timer	32
Enabling/disabling automatic playback.	32
Enabling/disabling automatic standby	32
Making settings via a web browser	33
Accessing the settings screen	33

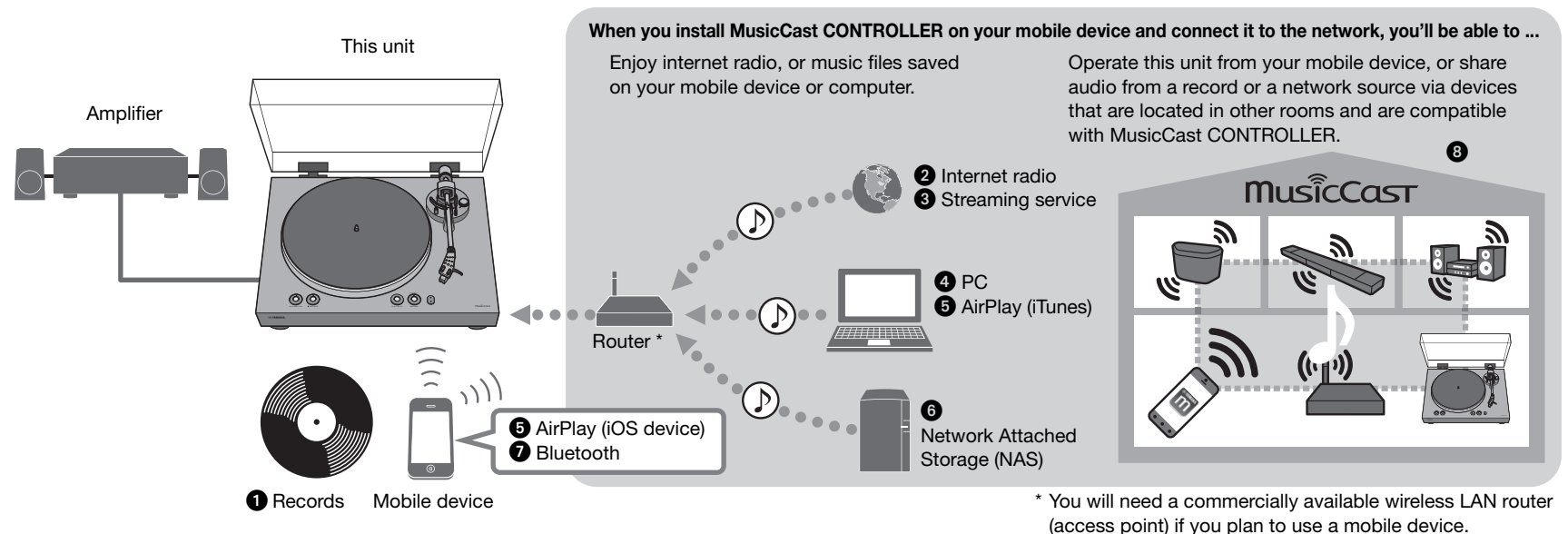
When necessary 34

Updating the firmware	34
Initializing the settings	35
Connecting to a network using the WAC function . .	35
Care.	36
Replacement	36
Replacing the belt.	36
Replacing the record stylus.	37
Moving this unit	37
Troubleshooting	38
General	38
Bluetooth	40
Network	41
Supported devices and file formats	43
Supported devices	43
File formats.	43
Trademarks.	44
Specifications.	45

Before you start

What you can do with the unit

This unit is a network turntable that supports playback from network sources such as media servers or mobile devices, in addition to playing records.



1 Record playback (⇒ page 25)

2 Listening to Internet radio (⇒ page 28)

3 Listening to streaming services (⇒ page 28)

4 Playing music files stored on your PC (⇒ page 29)

5 Playing music files with AirPlay (⇒ page 31)

6 Playing music files stored on a Network Attached Storage (NAS) device (⇒ page 29)

7 Playing audio content from a Bluetooth device (⇒ page 30)

8 Playing music using MusicCast CONTROLLER (⇒ page 23)

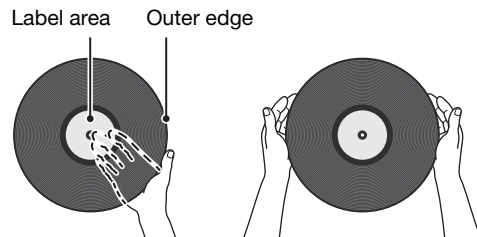
About this manual

When reading this manual, please note the following.

- ◆ Specifications and appearance are subject to change without notice in order to improve the product.
- ◆ In this manual, iPhone, iPad and iPod touch are collectively referred to as “OS device”.
- ◆ This manual uses MusicCast CONTROLLER screens displayed in English on an iPhone as examples.
- ◆ Explanation of graphic symbols used in this manual:
 - “**⚠ WARNING**” indicates points that you must observe to avoid risk of death or serious injury.
 - “**⚠ CAUTION**” indicates points that you must observe to avoid risk of injury.
 - **NOTICE** indicates points that you must observe to avoid damaging the product or causing it to malfunction.
 - **NOTE** indicates supplementary information that you will find useful.

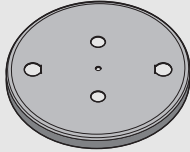
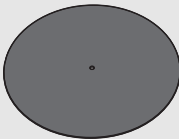
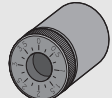
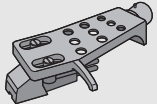
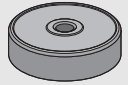
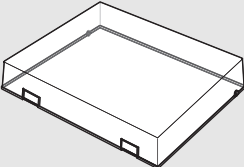
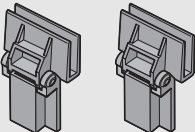
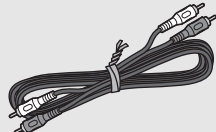
Handling records

When you hold a record, you should either support the record's label area and its outer edge, or hold the record's outer edges between your two hands.



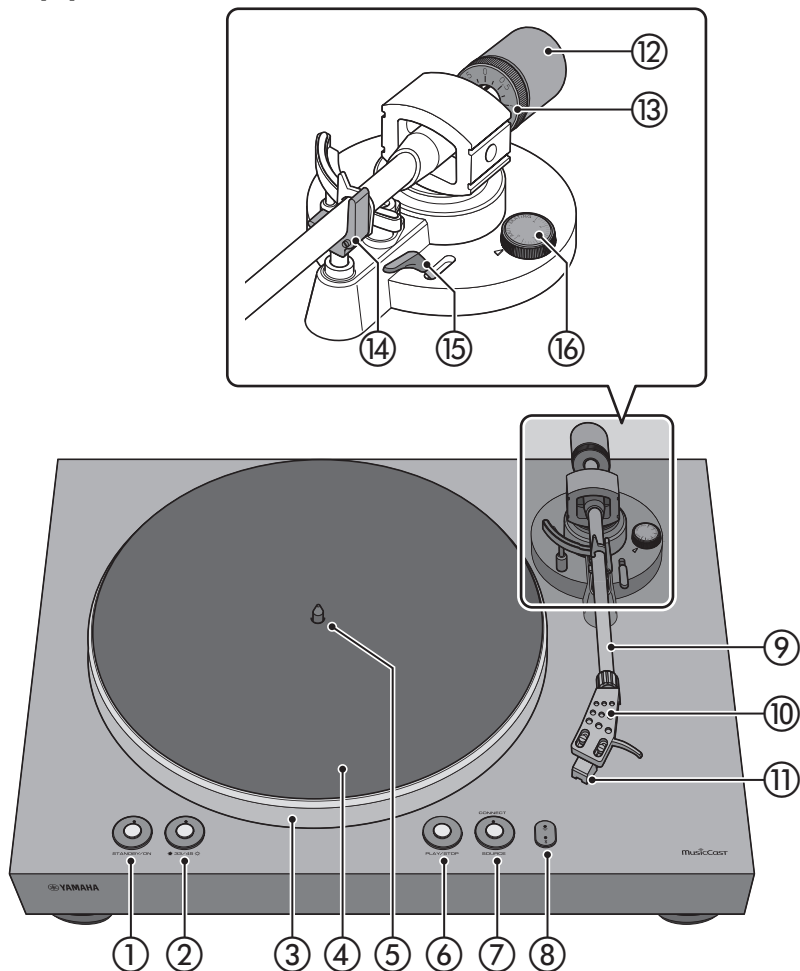
Check the supplied accessories

Make sure that all items are present.

<input type="checkbox"/> Platter x1 	<input type="checkbox"/> Platter sheet x1 	<input type="checkbox"/> Belt x1 * The belt is installed on the platter.
<input type="checkbox"/> Counter weight x1 	<input type="checkbox"/> Head shell x1 (with cartridge) 	<input type="checkbox"/> 45 rpm adaptor x1 
<input type="checkbox"/> Dust cover x1 	<input type="checkbox"/> Dust cover hinge x2 	<input type="checkbox"/> RCA stereo cable x1 
<input type="checkbox"/> AC adaptor x1 * For details, refer to the included “Supplement” (leaflet).	<input type="checkbox"/> Owner's Manual (this manual) <input type="checkbox"/> Supplement (leaflet)	

Parts and their functions

Top panel



① **STANDBY/ON (power)**

This switches the unit's power between on and standby (off). (⇒ page 22)

STANDBY/ON (power) indicator

This indicates the status of the unit's power.

Lit: Power is on

Dimly lit: Power is in the network standby state (⇒ page 22)

Unlit: Power is in the eco standby state (⇒ page 22)

② **33/45 (speed) (⇒ page 26)**

Speed indicator (⇒ page 26)

③ **Platter (⇒ page 15)**

④ **Platter sheet (⇒ page 16)**

⑤ **Center spindle (⇒ page 15)**

⑥ PLAY/STOP (play/stop) (⇒ page 26)

Makes the platter rotate or stop.

NOTE

- ◆ If the source (audio source) is network or Bluetooth, this plays/stops the network source.

⑦ SOURCE

Selects the source (audio source) for this unit. Each time you press this, the source alternates between PHONO, network, and Bluetooth.

NOTE

- ◆ The source can be switched if this unit's back panel audio output select switch is set to LINE OUT.

SOURCE indicator

The color of the indicator changes depending on the source.

Source	Indicator color
PHONO	White
network (AirPlay)	Pink
network (other than AirPlay)	Green
Bluetooth	Blue

NOTE


- ◆ When new firmware is provided, the indicator flashes orange. (⇒ page 34)

CONNECT

Use this when using MusicCast CONTROLLER to make network connection settings. (⇒ page 23)

⑧  (wireless LAN) indicator

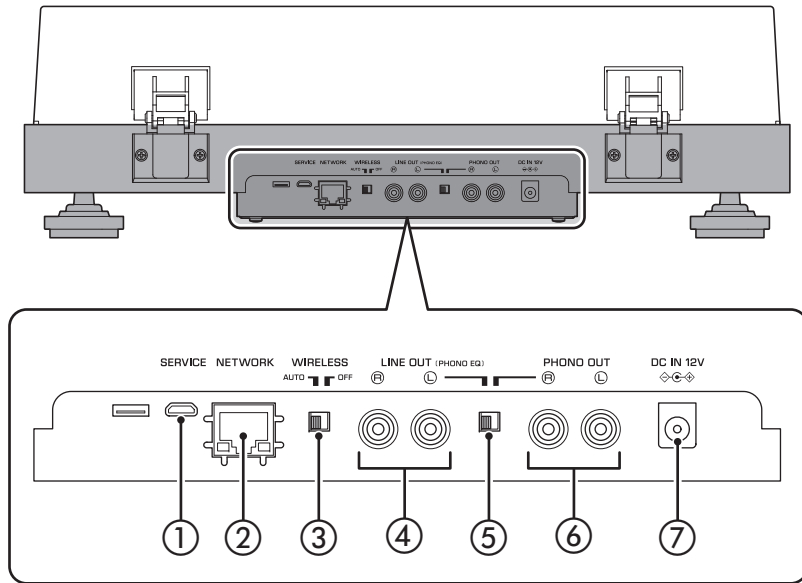
Lights when this unit connects wirelessly. (⇒ page 23)

 (Bluetooth) indicator

Lights when this unit connects to a Bluetooth device. (⇒ page 30)

⑨ Tone arm (⇒ page 16)**⑩ Head shell (⇒ page 16)****⑪ Cartridge****⑫ Counter weight (⇒ page 21)****⑬ Counter ring (⇒ page 21)****⑭ Arm rest (⇒ page 20)****⑮ Lift lever (⇒ page 26)****⑯ Anti-skating (⇒ page 22)**

Back panel



① SERVICE jack

This jack is only for service. It is not normally used.

② NETWORK jack

Use a LAN cable (commercially available) to connect this to your network.

③ WIRELESS switch

Enables/disables this unit's wireless functionality (including Bluetooth).

AUTO (default): Wireless functionality is enabled.

OFF: Wireless functionality is disabled.

④ LINE OUT jacks

Output the playback audio from the record or the network source. (⇒ page 18)

⑤ Audio output select switch

Switches the audio output. (⇒ page 18)

LINE OUT (default): The signal from the cartridge is amplified by the phono equalizer that is built into this unit, and is output from the LINE OUT jacks.

PHONO OUT: The signal from the cartridge is output directly from the PHONO OUT jacks.

⑥ PHONO OUT jacks

These jacks output the playback audio of the record. (⇒ page 19)

⑦ DC IN jack

Connect the AC adaptor (included) to this jack. (⇒ page 18)

Getting ready

Location

Because record playback is easily affected by vibration, you should place the unit in a level location that is not subject to external vibration. Place it sufficiently far from your speaker system so that it will not be affected by sound pressure or vibration.

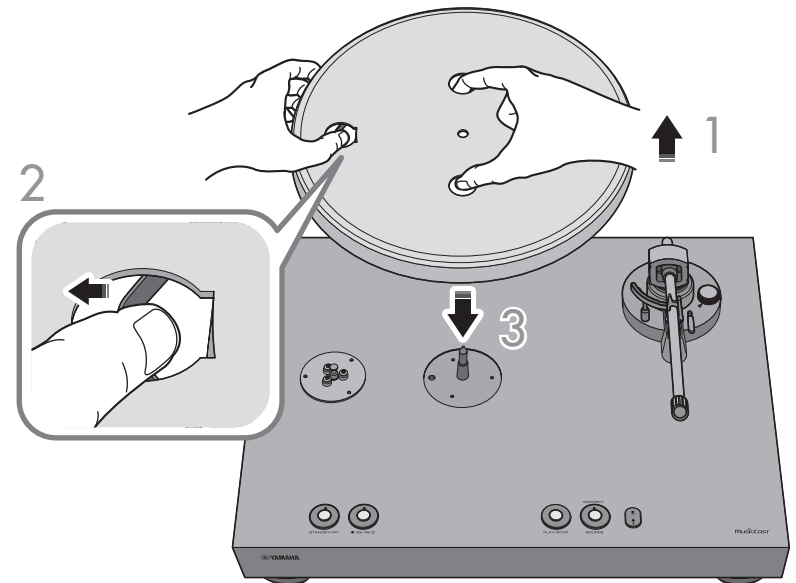
Assembly

Assembling the unit

- 1 Lift up the platter.
- 2 Reaching through the round hole in the platter, pull the belt outward, hooking it over your finger.
- 3 Insert the platter onto the center spindle.

CAUTION

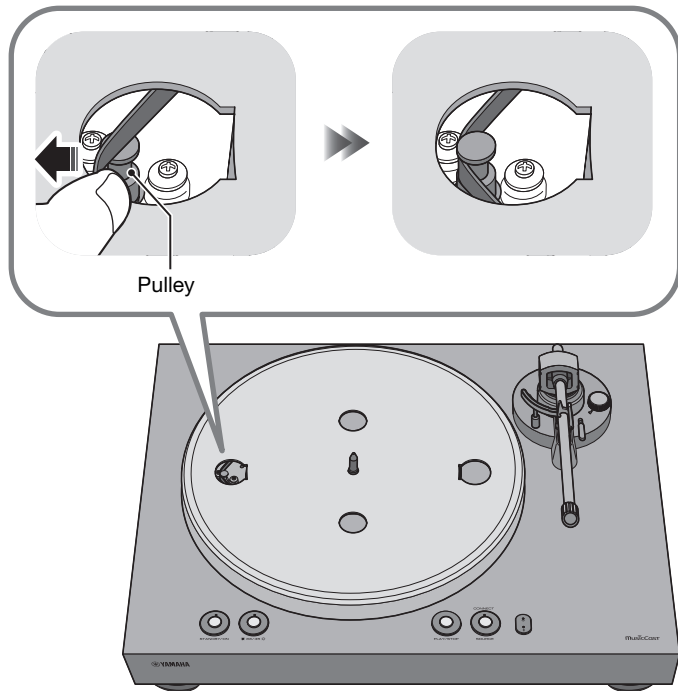
- ◆ Take care not to drop the platter. Dropping it might cause injury, or might damage the unit.



4 Align the round hole of the platter with the pulley.

5 Use your finger to hook the belt onto the pulley.

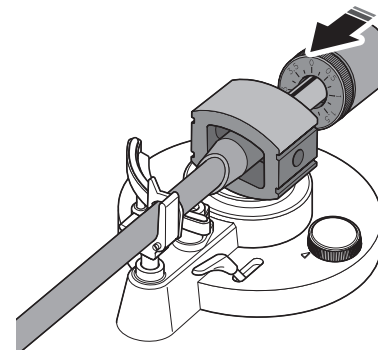
Take care that the belt is not twisted. After hooking the belt onto the pulley, rotate the platter several times to ensure that the belt is smoothly in place.



6 Place the platter sheet on the platter.

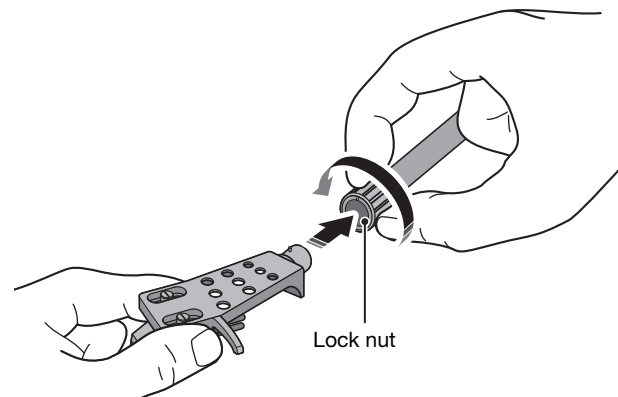
7 Attach the counter weight to the tone arm.

With the markings on the counter weight facing you, slide it onto the back end of the tone arm.



8 Attach the head shell to the tone arm.

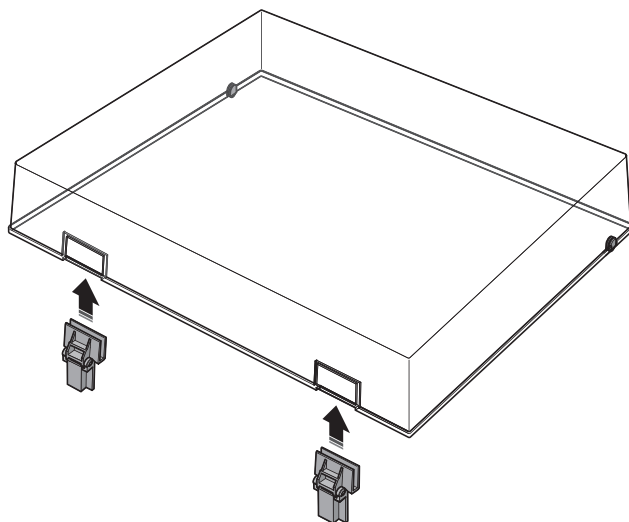
Insert the head shell into the front end of the tone arm, and turn the lock nut to secure it.



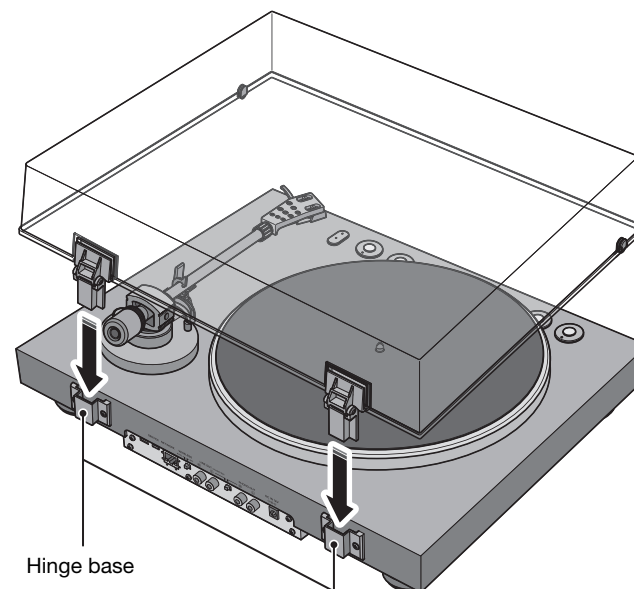
Attaching the dust cover

The dust cover protects this unit from dust etc.

- 1 Insert the hinges into the appropriate locations at two sides of the dust cover.



- 2 Attach the dust cover by inserting the hinges into the hinge bases located on the back panel of the unit.



NOTE

- ◆ To remove the dust cover, grasp the two sides of the dust cover and slowly lift upward to remove the cover together with its hinges.



CAUTION

- ◆ Take care not to pinch your hands or fingers when opening or closing the dust cover.

Making connections

Connecting to an amplifier

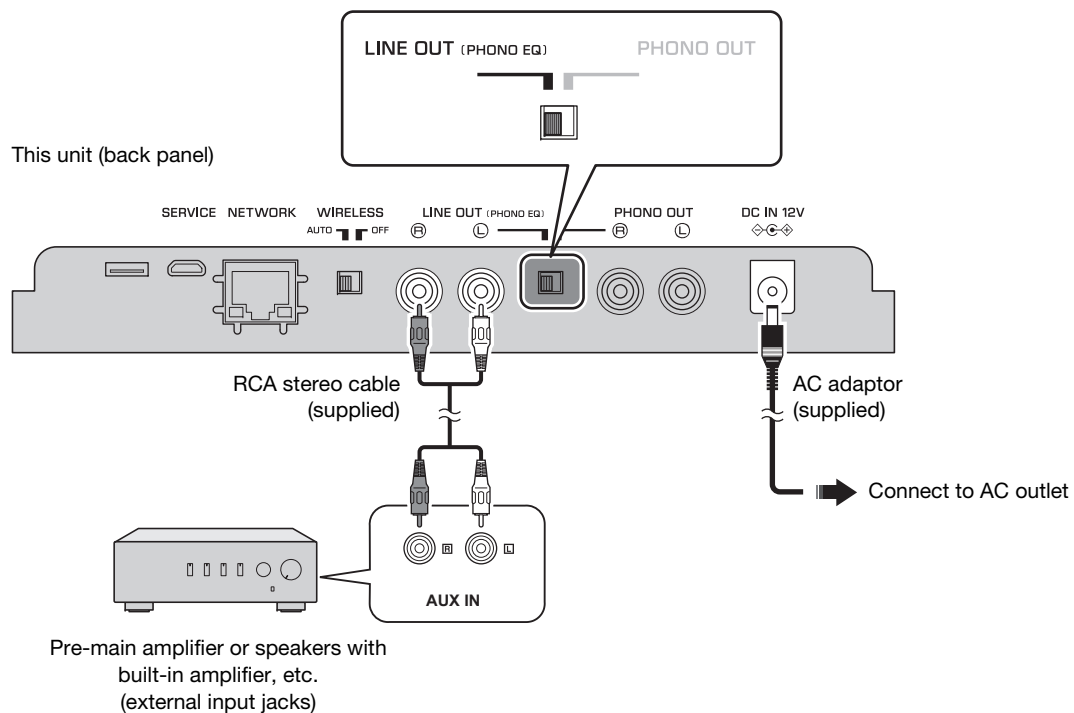
Make connections as shown in the following illustration.

CAUTION

- ◆ Do not plug the power cords of this unit and other connected devices into AC outlets until all connections and audio output select switch settings are complete.

■ If using this unit's LINE OUT jacks

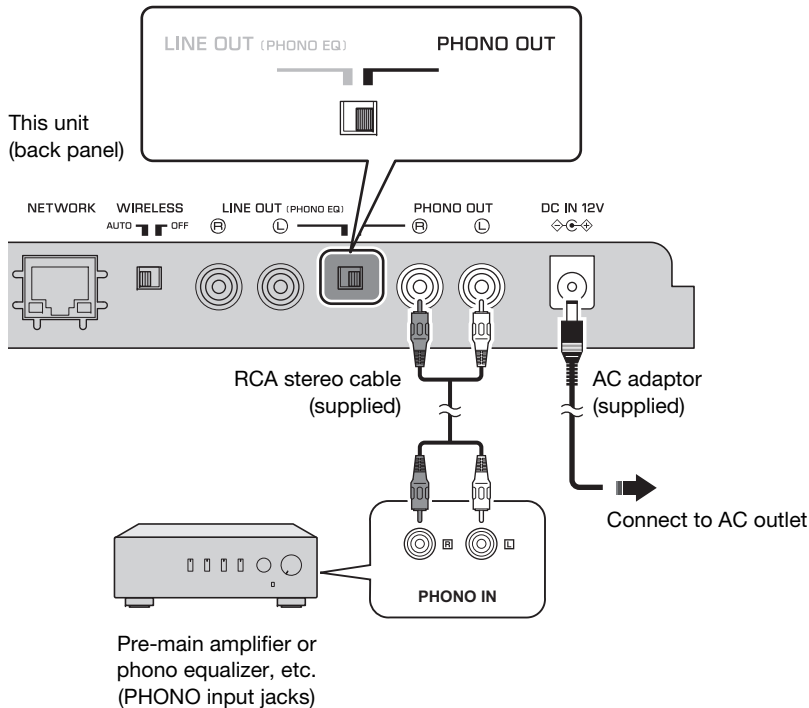
Sources that can be played back: Records, all network sources including internet radio, Bluetooth



■ If using this unit's PHONO OUT jacks

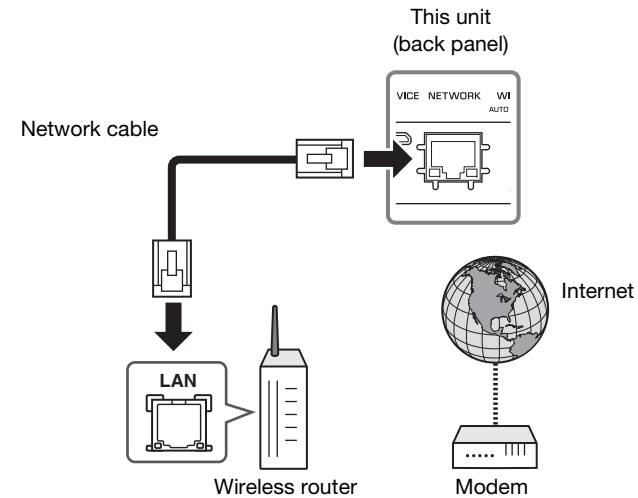
Sources that can be played back: Records

This unit's network functionality cannot be used.



Connecting a network cable

To use a wired connection to the network, connect this unit to your router using a commercially-available STP network cable (CAT-5 or higher straight cable). To connect wirelessly to the network, proceed to "Connecting the unit to the network" (⇒ page 23).



NOTE

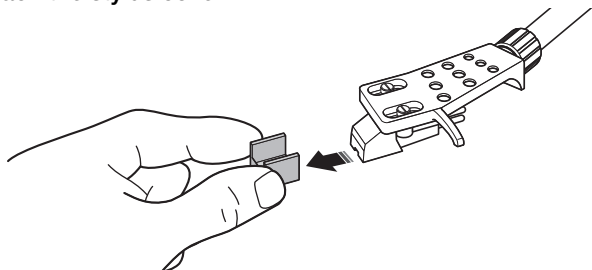
- ◆ Connect the network cable before you turn on the power of this unit.
- ◆ You can connect to the network via a wired connection regardless of whether the WIRELESS switch located on the back panel of this unit is set to AUTO or OFF. (⇒ page 14)
- ◆ If the unit is already wirelessly connected to the network, put this unit's power in standby mode, connect the network cable, turn the back panel WIRELESS switch OFF, and then turn on the power. (⇒ page 14)

Making adjustments

Adjusting the stylus pressure

Adjust the tone arm so that the appropriate stylus pressure is applied to the record.

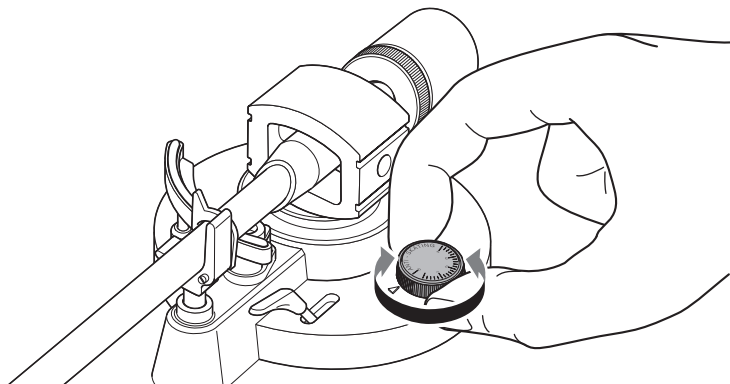
- 1 Detach the stylus cover.



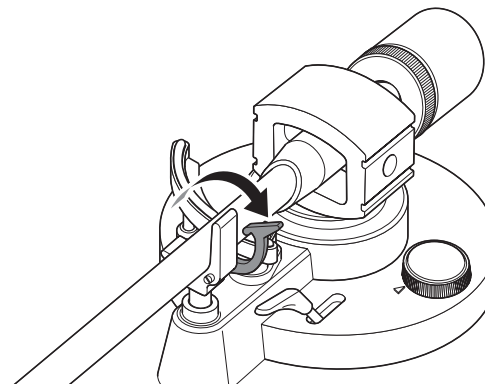
NOTICE

- ◆ Take care that the stylus cover or your finger do not contact the stylus.

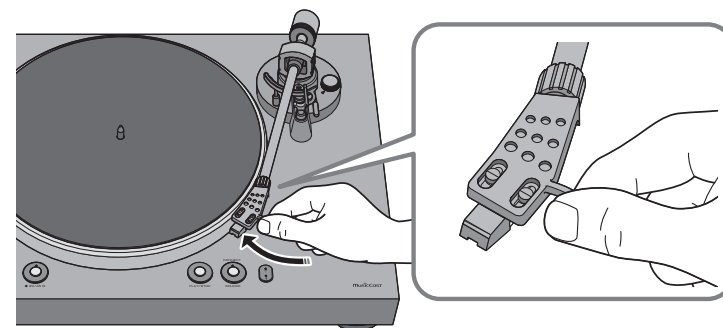
- 2 Set the anti-skating adjustment to the "0" position.



- 3 Release the tone arm lock.



- 4 Move the tone arm off of the arm rest and slightly to the left.



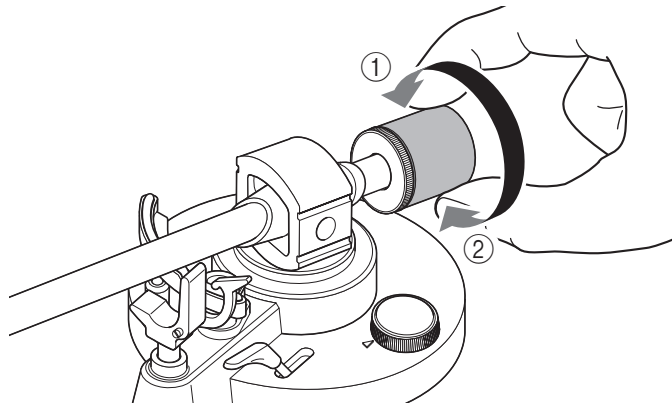
NOTICE

- ◆ Take care that the needle does not contact any part of the unit.

5 Turn the counter weight so that the tone arm is horizontal.

Toward ①: Counter weight moves forward on the tone arm.

Toward ②: Counter weight moves backward on the tone arm.



Correct



Tone arm is horizontal
(balanced)

Incorrect



Counter weight is too far
forward

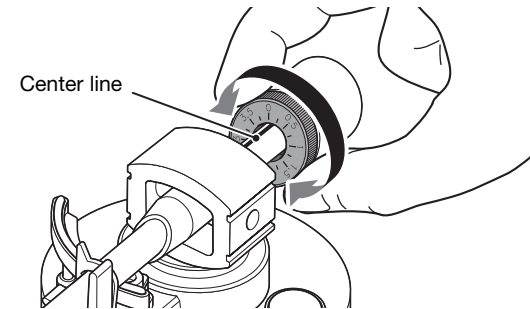
Incorrect



Counter weight is too far
backward

6 Return the tone arm to the arm rest, and lock it in place.

7 Turn the counter ring so that the “0” marking is aligned with the center line on the back end of the tone arm.

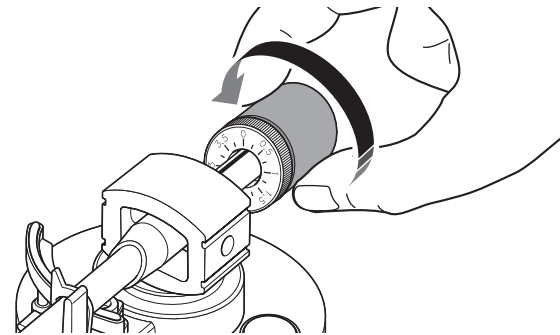


NOTE

- ◆ When turning the counter ring, use your fingers to press the counter weight so that it does not rotate.

8 By turning the counter weight, set the counter weight markings to the stylus pressure specified for the cartridge.

The specified stylus pressure for the supplied cartridge is 3.5 g.



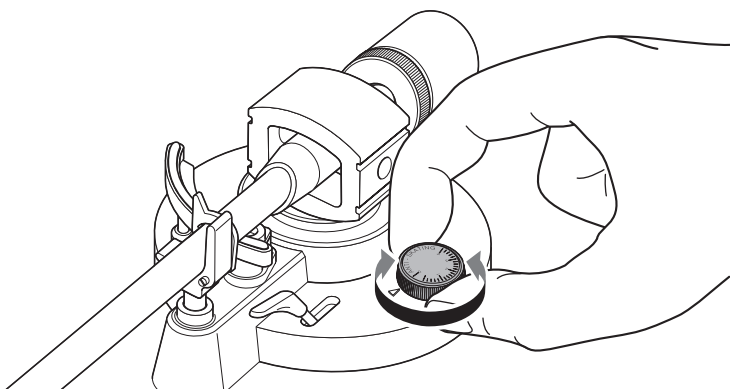
NOTE

- ◆ Turning the counter weight also turns the counter ring.

Adjusting the anti-skating

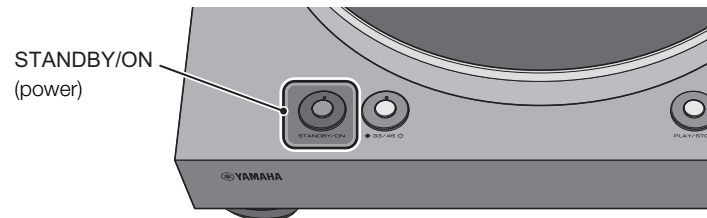
As the platter rotates, the tip of the stylus generates a force that pulls it toward the center of rotation. If the anti-skating value is set to the same value as the stylus pressure, a force is generated that pulls the tip of the stylus outward away from the center of rotation, and the two forces cancel each other.

- 1 Turn the anti-skating adjustment to the same value as the stylus pressure of the cartridge.




Turning the power on

On the top panel of the unit, press STANDBY/ON (power) to turn on the power of the unit. Press STANDBY/ON (power) once again to put the unit in standby mode.



NOTE

- ◆ When you first turn on the power after purchasing the unit or initializing it, the  (wireless LAN) indicator might flash. If it flashes, you can connect to the wireless network by sharing the network settings of your iOS device. (⇒ page 35) In order to enjoy music from a variety of network sources, use MusicCast CONTROLLER to connect to your network. (⇒ page 23)

About this unit's standby modes

This unit has two types of standby mode.

Network standby: This device's power can be turned on from a network device. (only when the audio output select switch is set to LINE OUT)

Eco standby: This mode reduces the standby power consumption.

NOTE

- ◆ If you want to switch to the eco standby setting, you can use your web browser to change the Standby setting. (⇒ page 33)
- ◆ If you want to temporarily switch to eco standby, hold down STANDBY/ON (power) for five seconds while the unit is powered-on. (only when the audio output select switch is set to LINE OUT)

Connecting the unit to the network

This section explains how to register the unit with MusicCast and set up the unit for the network connection.

Even if this device is connected to the network via a cable, MusicCast registration is necessary in order to play back network sources.

NOTE

- ◆ If you want to play high-resolution audio sources via the network, a wired connection is recommended for more stable playback. (⇒ page 19)
- ◆ Your mobile device must already be connected to the wireless LAN router (access point).

1 Install MusicCast CONTROLLER on your mobile device.

In the App Store or in Google Play, search for MusicCast CONTROLLER (free), and install it on your mobile device.

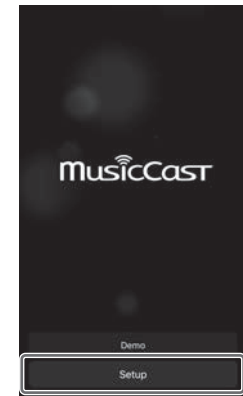
For more about MusicCast CONTROLLER, refer to the following website.

<https://www.yamaha.com/musiccast/>



MusicCast CONTROLLER is an app for controlling devices that support MusicCast. It allows you to share music between multiple MusicCast compatible devices that are placed in different rooms. You can use your smartphone or other mobile device as a remote controller, and easily select songs and make settings on the MusicCast compatible device.

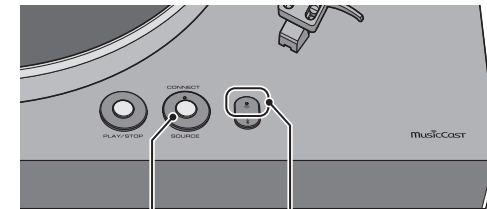
2 Start the MusicCast CONTROLLER on your mobile device, and then tap "Setup".




Tap here.

3 Operate MusicCast CONTROLLER as directed by the instructions that appear on the screen of your mobile device, and on the top panel of this unit, hold down the CONNECT button for five seconds.


The  (wireless LAN) indicator flashes.



CONNECT

 (wireless LAN) indicator


4 Follow the instructions on the display of the mobile device to operate MusicCast CONTROLLER to make the network settings.

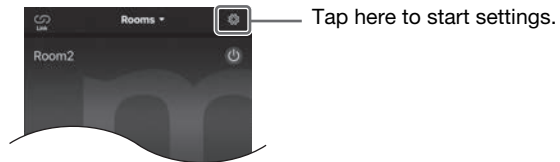
When this unit connects to the network, the  (wireless LAN) indicator is lit.

Now the unit is registered with MusicCast and the network settings are complete.

Use MusicCast CONTROLLER to play the music.

NOTE

- ◆ To set up additional MusicCast-compatible devices, tap the  (Settings) in the upper-right corner of the MusicCast CONTROLLER screen, and then select “Add New Device”.



Playback

Listening to a record

Here's how to play back a record.

■ Starting playback

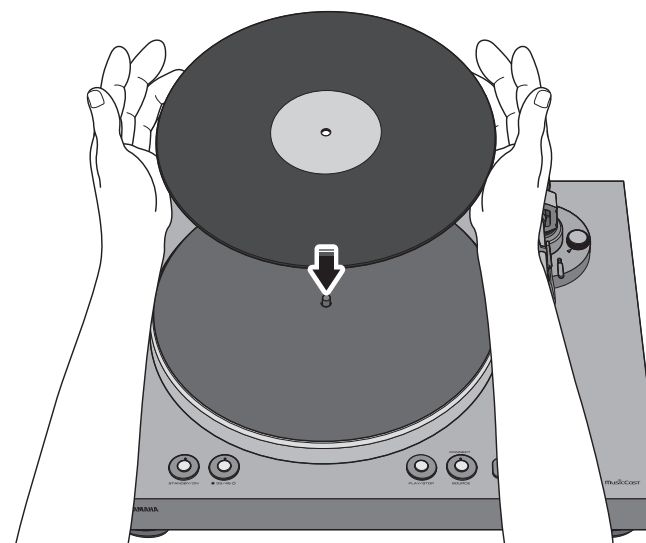
⚠ CAUTION

- ◆ If you play back a record without sufficiently lowering the volume of your amplifier, a loud sound might occur when the tip of the stylus contacts the record. This can cause hearing loss and might damage your amplifier and speaker, so be sure to lower the volume of your amplifier.
- ◆ If you are playing a record and the sound is being output from the LINE OUT jacks, the platter will stop when you switch the source from PHONO to network or Bluetooth.

NOTE

- ◆ MusicCast CONTROLLER cannot start/stop record playback or switch the speed.

- 1 **Open the dust cover, and place the record on the platter.**
If you're playing a 45 rpm record, use the included 45 rpm adaptor.



2 Press 33/45 (speed) to select the appropriate speed for the record.

The speed switches each time you press 33/45 (speed).

Speed indicator lit: 33 1/3 rpm

Speed indicator unlit: 45 rpm

3 Press SOURCE to switch the source to PHONO.

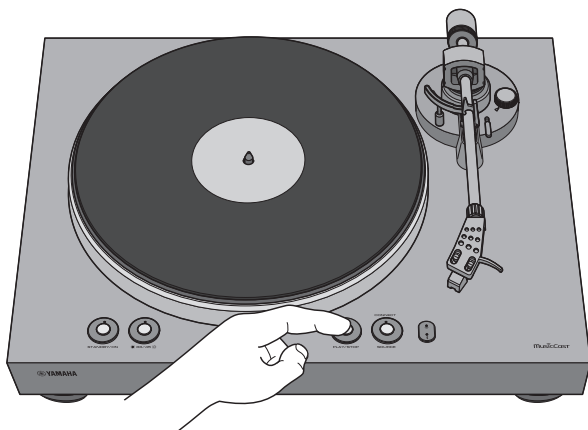
The SOURCE indicator is lit white.

NOTE

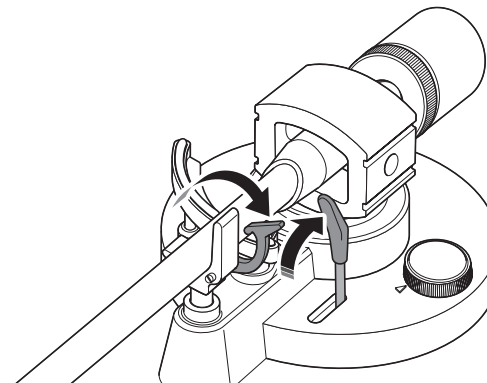
- ◆ If the audio output select switch is set to PHONO OUT, there's no need to switch the source.

4 Press PLAY/STOP (play/stop).

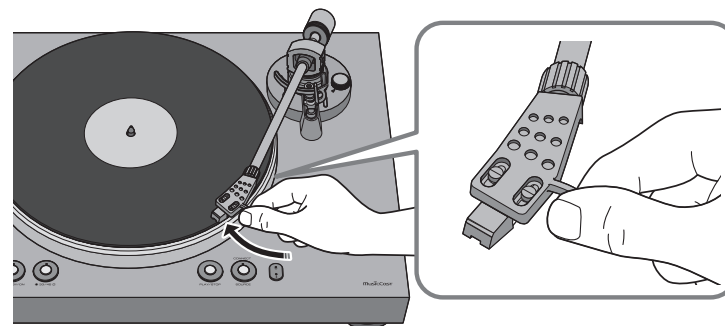
The platter rotates.



5 Release the tone arm lock, and raise the lift lever.

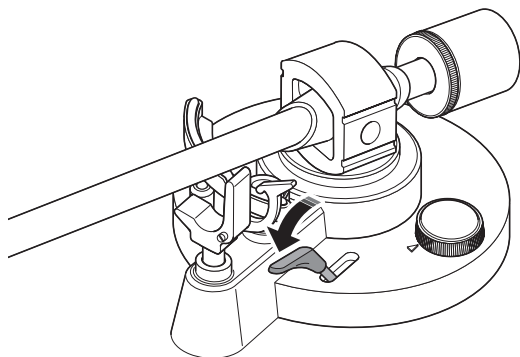


6 Move the tone arm to the playback position of the record.



7 Lower the lift lever.

The tone arm is lowered, and playback starts.



■ Pausing playback

If you raise the lift lever, the tone arm rises and playback pauses.

When you lower the lift lever, playback resumes.

■ Stopping playback

- 1 Raise the lift lever.
- 2 Return the tone arm to the arm rest.
- 3 Lower the lift lever.
- 4 Press **PLAY/STOP** (play/stop).
The platter stops rotating.
- 5 Lock the tone arm.

NOTE

- ◆ The tone arm does not automatically rise when the record finishes playing.
- ◆ If you will not be using the unit for a time, attach the cover to the stylus to protect it.

Listening to Internet radio

Here's how to select an internet radio station using the MusicCast CONTROLLER that's installed on your mobile device.

NOTE

- ◆ Before you select a station, register this unit with MusicCast. (⇒ page 23)
- ◆ Certain Internet radio stations might not be available at all times or during certain hours.
- ◆ This function uses the “airable.Radio” service. This service is provided by Tune In GmbH.
- ◆ This service may change or end without notice.

- 1 Use MusicCast CONTROLLER to select the room in which this unit is located (e.g., Room 1).
- 2 Tap “Net Radio”.
- 3 Select the internet radio station to which you want to listen.

Listening to streaming services

You can listen to a streaming service using the MusicCast CONTROLLER that's installed on your mobile device. For details on streaming services, refer to the supplementary explanation(s) regarding the streaming service(s) that are available in your area. Access the Yamaha Downloads site to download the supplementary explanation(s).
<https://download.yamaha.com/>

NOTE

- ◆ Service is limited to certain areas.
- ◆ Services supported by the unit might not be available depending on the region in which the unit was purchased.
- ◆ The service may change or end without notice.

Playing music files stored on a media server (PC/NAS)

You can play music files stored on your PC or DLNA-compatible Network Attached Storage (NAS) device on the unit.

NOTE

- ◆ Audio may be interrupted while using a wireless network connection. In this case, use a wired network connection. (⇒ page 19)
- ◆ For information on the file format that can be played by the unit, please refer to “Supported devices and file formats” (⇒ page 43). Also, please refer to the specifications for the NAS device.

Media sharing setup

To play music stored on the PC (or NAS device) on the unit, you need to enable media sharing between this unit and the other devices.

■ For a PC that runs Windows Media Player

The setting procedure may vary depending on the PC or the version of Windows Media Player. The following instructions use Windows Media Player12 as an example.

NOTE

- ◆ The method will depend on the computer and the settings that you’re using. For details, refer to the manufacturer of your computer or to the Windows Media Player help.

- 1 Start Windows Media Player 12 on your PC.
- 2 Select “Stream”, then “Turn on media streaming”.
- 3 Click “Turn on media streaming”.

- 4 Select “Allowed” from the drop-down list next to the unit’s model name.

- 5 Click “OK” to exit.

■ For a PC or a NAS that runs DLNA server software other than Windows Media Player

Refer to the instruction manual for the device or software and configure the media sharing settings.

Playing music files

Here’s how to play back using the MusicCast CONTROLLER that’s installed on your mobile device.

NOTE

- ◆ Register the unit as a MusicCast-enabled device before playing music files. (⇒ page 23)

- 1 Use MusicCast CONTROLLER to select the room in which this unit is located (e.g., Room 1).
- 2 Tap “Server”.
- 3 Follow the on-screen instructions to select a song.

Listening to music via Bluetooth

You can play music files stored on a Bluetooth device (such as a smartphone) on the unit.

NOTE

- ◆ In order to use Bluetooth functionality, set the WIRELESS switch located on the back panel of this unit to AUTO. (⇒ page 14)
- ◆ For information on supported Bluetooth devices, refer to “Supported devices and file formats” (⇒ page 43).

1 On the top panel of this unit, press SOURCE to switch the source to Bluetooth.

The SOURCE indicator is lit blue.

2 On the Bluetooth device, turn the Bluetooth function on.

3 On the Bluetooth device, select this unit from the list of available devices.

When this unit connects to a Bluetooth device, the  (Bluetooth) indicator is lit.

NOTE

- ◆ If you are prompted to enter a passkey, enter the number “0000”.
- ◆ If the unit is registered as a MusicCast device, the room name will appear on the available device list.

4 On the Bluetooth device, select a song and start playback.

NOTE

- ◆ If the unit detects a Bluetooth device that was previously connected, the unit will automatically connect to the Bluetooth device after you perform Step 1. To establish another Bluetooth connection, first terminate the current Bluetooth connection.
- ◆ To terminate a Bluetooth connection, perform one of the following operations:
 - Disconnect from the Bluetooth device.
 - Select any option other than “Bluetooth” as the source for this unit.
- ◆ If you enable Bluetooth standby, this unit automatically turns on when a connect operation is performed on the Bluetooth device. (⇒ page 33)

Listening to music via AirPlay

You can use the AirPlay function to play iTunes or iOS device music files music files via a network.

NOTE

- ◆ If the iOS device does not recognize the unit, check your network environment (such as the router)

- 1 Start iTunes, or display the Music playback screen on the iOS device.

Once the iTunes or iOS device recognizes the unit, the AirPlay icon appears.

E.g., (iOS 12)



E.g., (iTunes)



On an iOS device, the AirPlay icon is displayed on the playback screen of the Music app, or in the Control Center.

- 2 In iTunes or on the iOS device, click (tap) the AirPlay icon, and then select this unit as the output destination for the audio.

- 3 Select a song in iTunes or on the iOS device to start playback.

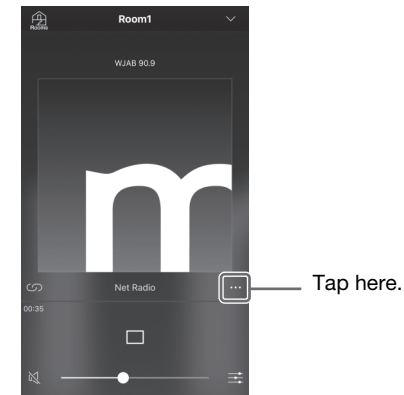
This unit's source automatically switches to network (Airplay), and playback starts.

The SOURCE indicator is lit pink.

Using MusicCast CONTROLLER to register favorites

You can register up to 40 favorite content items (songs stored on your PC and Internet Radio stations).

- 1 Play a song or an Internet Radio station that you want to register.
- 2 In the playback screen, tap ●●● and then tap "Add to favorites".



■ Recalling registered content

- 1 Use MusicCast CONTROLLER to select the room in which this unit is located (e.g., Room 1).
- 2 Tap "Favorites", and select the content that you want to play.



Detailed settings

Making settings via MusicCast CONTROLLER

You can use MusicCast CONTROLLER to make settings for a variety of functions.

Setting the sleep timer

This function automatically sets this unit's power to standby mode after the specified time has elapsed.

Settings: Off (default), 30 Min., 60 Min., 90 Min., 120 Min.

NOTE

- ◆ The sleep timer setting is canceled if you perform any of the following actions.
 - Set this unit's power to standby mode.
 - Unplug this unit from the AC outlet.
 - Switch the source to PHONO.
- ◆ The sleep timer cannot be used if the source is set to PHONO.

Enabling/disabling automatic playback

This function specifies whether songs from the computer (server) will play automatically when the source is switched to Server.

Settings

On (default): Automatic playback is enabled.

If the unit keeps a history of playback, the last item that was played will be played again. If such an item no longer exists, the unit will not play it.

Off: Automatic playback is disabled.

Enabling/disabling automatic standby

This function automatically sets the power to standby mode after the specified time has elapsed without any playback or operation being performed.

Settings

Off: Automatic standby is disabled.

On: Automatic standby is enabled.

If this unit has not been playing for the last 20 minutes, or has not been operated for the last eight hours, the power automatically switches to standby mode.

Default

U.K., Europe and Korea models: On

Other models: Off

NOTE

- ◆ Immediately before entering standby mode, the STANDBY/ON (power) indicator flashes.

Making settings via a web browser

You can use a web browser on your computer or other device to make settings for this unit and for the network connection. Here we explain the Standby setting. Connect this unit to the network before you proceed with the following operations. (⇒ pages 19 and 23)

Accessing the settings screen

Here's how to access the settings screen on your computer.

- 1 Use MusicCast CONTROLLER to find out the IP address of this unit.
- 2 Start a web browser on your computer.
- 3 In the address bar of your web browser, enter the IP address that you found, and then press Enter.

The settings screen appears.

NOTE

- ◆ We do not guarantee that this will work with all devices or browsers.

■ Standby setting

Network Standby

Specifies whether this unit's power can be turned on from a network device.

Auto (default): Network standby is enabled.

If this unit is not connected to a network, network standby is automatically disabled. (This unit enters eco standby mode.)

On: Network standby is enabled. This setting will consume more power than the "Off" setting.

Off: Network standby is disabled. (This unit enters eco standby mode.)

Bluetooth Standby

Specifies whether this unit's power can be controlled from the Bluetooth device. If this setting is "On", this unit automatically turns on when a connect operation is performed on the Bluetooth device.

On (default): Bluetooth standby is enabled. (Only if the network standby setting is "Auto" or "On".)

Off: Bluetooth standby is disabled.



With an advanced energy saving design, this product achieves a low power consumption of not more than 2 watts when in Network Standby mode.



When necessary

Updating the firmware

New firmware that provides additional features or product improvements is released as needed. You can update the firmware using the MusicCast CONTROLLER that's installed on your mobile device.

When new firmware is available, the screen of MusicCast CONTROLLER shows the message "Update new firmware now?".

1 Tap "Yes".

Firmware update begins.

During the update, a progress bar is shown in the screen of MusicCast CONTROLLER, and the SOURCE indicator of this unit flashes light blue.

When the update is successful, the screen of MusicCast CONTROLLER indicates "Firmware update completed." and the SOURCE indicator of this unit is lit light blue.

NOTICE

- ◆ While the firmware is being updated, do not operate this unit or disconnect the AC adaptor or the network cable.

NOTE

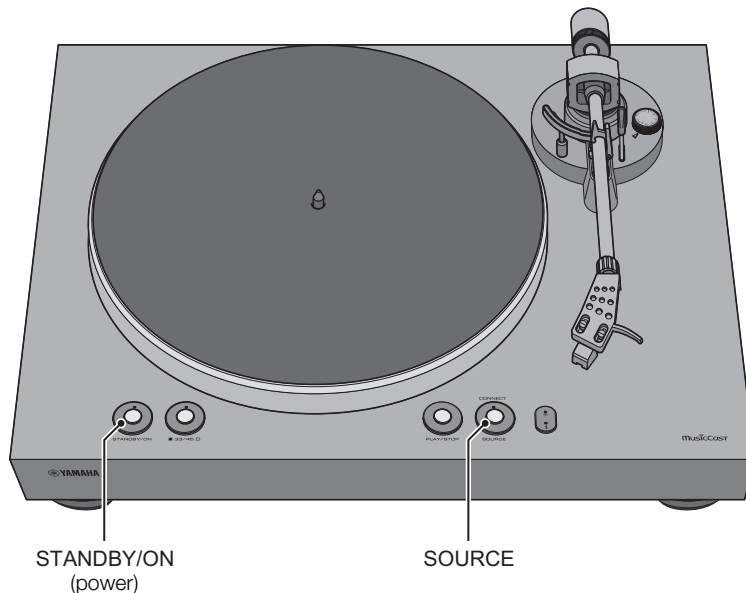
- ◆ If you chose "Later", tap ⚙ (Settings) in MusicCast CONTROLLER and choose "New firmware is available". Update the firmware as directed by the screen.
- ◆ When new firmware is available, the SOURCE indicator also flashes orange when the power of this unit is turned on.
- ◆ If you're not using MusicCast CONTROLLER, the firmware update starts when you hold down PLAY/STOP (play/stop) and press STANDBY/ON (power) while this unit's power is in standby mode.
- ◆ For more about the firmware, refer to the Yamaha website.

Initializing the settings


Here's how to initialize the settings of this unit.

- 1 Press **STANDBY/ON (power)** to put this unit's power in standby mode.
- 2 While holding down **SOURCE**, press **STANDBY/ON (power)** to turn on the power of this unit.

The settings will be initialized.



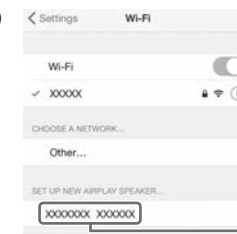
Connecting to a network using the WAC function

When you first turn on the power after purchasing the unit or initializing it, the  (wireless LAN) indicator will flash. (Except when the unit is already connected to the network via a cable, or when the audio output select switch is set to PHONO OUT) While it is flashing, you can connect to the wireless network by sharing the network settings of your iOS device (WAC function).

To use this function, proceed as follows.

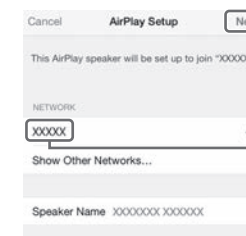
- 1 In the Wi-Fi screen of your iOS device, select this unit as the AirPlay speaker.

E.g., (iOS 12)



This unit's name

- 2 Make sure that the "Network" field is set to your preferred network, and then tap "Next".



Tap here to start setup.

Currently-selected network

When the setup is complete, the unit will automatically connect to the selected network (access point).

Care

■ Caring for this unit

Wipe it with a soft dry cloth. Do not use chemicals such as benzine or thinner, since they might damage the surface.

■ Caring for the record stylus

The tip of the record stylus is extremely delicate. Handle it with care so that it is not damaged. If dust should adhere to the tip of the stylus, use a soft pointed brush to wipe it off starting at the base of the stylus and moving toward the tip, or use a commercially available cleaner made for that purpose.

■ Caring for records

Dirt adhering to a record can cause skips or noise. Use a commercially available record cleaner to remove dirt.

Replacement

Replacing the belt

Depending on the conditions of use, the belt can wear out or break. If this occurs, replace the belt. For a replacement belt, contact your nearest authorized Yamaha dealer or service center.

- 1 Turn off the power of this unit and of the connected devices, and disconnect this unit's AC adaptor from the AC outlet.
- 2 Remove the platter sheet from the platter.
- 3 Detach the belt from the pulley.
- 4 Insert your fingers into the round holes of the platter, and lift up the platter.



CAUTION

- ◆ Take care not to drop the platter. Dropping it might cause injury, or might damage the unit.

- 5 Turn the platter over, and remove the belt.
- 6 Install the replacement belt on the platter.
Take care that the belt is not twisted.
- 7 Install the platter on this unit.
For details on installation, refer to "Assembly" on page 15.

Replacing the record stylus

When the tip of the record stylus becomes worn down or damaged, replace it immediately.

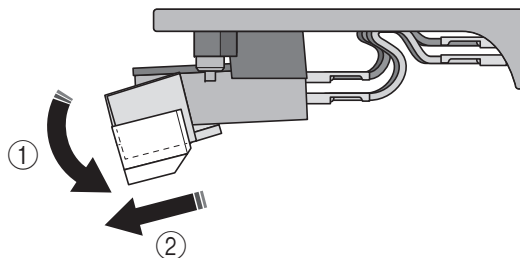
As the replacement stylus, please purchase an ATN3600L replacement stylus made by Audio-Technica.

⚠ CAUTION

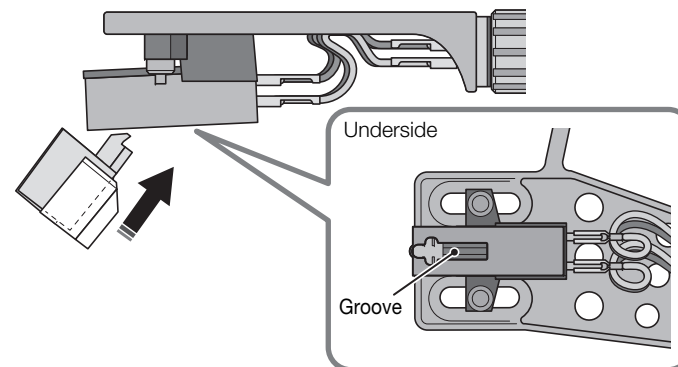
- ◆ Attach the stylus cover before replacing the stylus. The tip of the stylus might injure you, or it might become damaged.
- ◆ Take care that children do not swallow the stylus when it is removed.

1 Turn off the power of this unit and of the connected devices, and disconnect this unit's AC adaptor from the AC outlet.

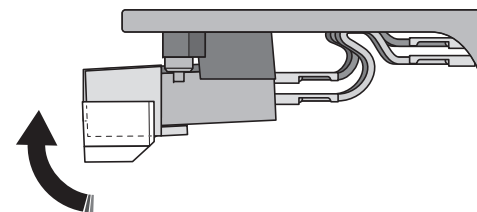
2 While using your fingers to hold the body of the cartridge, press the stylus down in the direction of ①, and pull it in the direction of ② to remove it.



3 While using your fingers to hold the body of the cartridge, insert the tab of the replacement stylus into the groove on the underside of the cartridge.



4 Press the stylus upward until you hear a click.



Moving this unit

When moving this unit, lock the tone arm so that it does not move.

Troubleshooting

If the unit stops operating correctly, check the following points.

If taking the appropriate action does not solve the problem, or if there is a problem not listed below, press the STANDBY/ON (power) button located on the unit's back panel to turn off the power, disconnect the power cord, and contact your nearest authorized Yamaha dealer or service center.

General

Problem	Cause	Action	Reference page
Pressing STANDBY/ON (power) does not turn on the power.	The AC adaptor has come unplugged from this unit's DC IN jack or from the AC outlet, or is not firmly plugged in.	Firmly plug the AC adaptor into this unit's DC IN jack and into an AC outlet.	18
When you press STANDBY/ON (power), the STANDBY/ON (power) indicator flashes and the power does not turn on.	The protection circuit operated three times in succession.	In order to protect the unit, the power will no longer turn on. Contact a Yamaha service center to have the unit repaired.	—
Pressing SOURCE does not switch the source.	The audio output select switch is set to PHONO OUT.	Set the audio output select switch to LINE OUT.	14
The platter does not rotate.	The belt is not correctly positioned on the platter and pulley, or the belt has come off.	Attach the belt correctly to the platter and the pulley.	15
	STANDBY/ON (power) is not on.	Turn STANDBY/ON (power) on.	22
No sound.	The head shell is not correctly attached to the tone arm.	Attach the head shell correctly to the tone arm.	16
	The RCA stereo cable is not connected correctly.	Connect the RCA stereo cable correctly.	18
	The mute setting of the amplifier is on.	Turn off the mute setting of the amplifier.	—
	The audio output select switch of this unit is set incorrectly.	Set the audio output select switch correctly for the device that is connected.	18

Problem	Cause	Action	Reference page
Volume is too weak or too loud.	The cartridge setting of the amplifier or phono equalizer is incorrect.	Set the cartridge setting of the amplifier or phono equalizer correctly for the type of cartridge that you're using (MM or MC).	—
	The audio output select switch is set incorrectly.	Set the audio output select switch correctly for the device that is connected.	18
Something is wrong with the left/right balance of the sound.	The unit is tilted.	Place the unit on a level location.	—
Playback speed is wrong.	The speed setting is incorrect.	Set the 33/45 (speed) setting correctly. This unit does not support playback of SP records (78 rpm).	12
Hum is audible.	The RCA stereo cable is not connected correctly.	Connect the RCA stereo cable correctly.	18
	The head shell is not firmly secured to the tone arm.	Use the lock nut to firmly secure the head shell to the tone arm.	16
Skips occur. Noise occurs. The sound is distorted.	The stylus pressure is not adjusted correctly.	Set the counter weight markings to the stylus pressure specified for the cartridge.	20
	The record is scratched or warped.	Do not use scratched or warped records.	—
	The record is dirty.	Use a commercially available record cleaner to clean the record.	—
	The record is statically charged.	Use an anti-static brush to remove the static charge.	—
	The stylus is dirty.	Remove the dirt from the stylus.	36
	The stylus is worn down.	Replace the stylus.	37
Feedback occurs.	The unit is placed in a location that is subject to vibration.	Place the unit in a level location that is not subject to vibration.	—
	The unit is too close to the speakers.	Locate the unit farther away from the speakers.	—
	The playback volume is too high.	Adjust the volume of the amplifier.	—

Bluetooth

Problem	Cause	Action	Reference page
Unable to pair the unit with the Bluetooth device.	The WIRELESS switch located on the back panel of this unit is turned OFF.	Set the WIRELESS switch located on the back panel of this unit to AUTO.	14
	The audio output select switch of this unit is set to PHONO OUT.	Set the audio output select switch of this unit to LINE OUT.	14
	Another Bluetooth device is already connected to this unit.	Disconnect the Bluetooth device that is currently paired, and then pair with the desired Bluetooth device.	30
	The unit and the Bluetooth devices are too far apart.	Move the Bluetooth device closer to the unit.	—
	Wireless communication is being obstructed by interference from a device that uses the 2.4 GHz frequency band (e.g., microwave oven or wireless LAN).	Move this unit or your Bluetooth device farther away from such devices. If your wireless LAN router supports the 5 GHz frequency band, switch to a connection that uses the 5 GHz frequency band.	—
	Your Bluetooth device does not support the A2DP protocol.	Use a Bluetooth device that supports the A2DP protocol.	—
	The connection profile registered in the Bluetooth device may not be functioning correctly for some reason.	Delete the Bluetooth profile in the Bluetooth device, and then connect the Bluetooth device to this unit.	—
	The passkey of the devices, such as a Bluetooth adaptor, that you want to pair with the unit is other than "0000".	Use a connecting device with a passkey "0000".	—
No sound can be heard, or the sound cuts off intermittently.	The volume level of the Bluetooth device is too low.	Increase the volume level of the Bluetooth device.	—
	The Bluetooth device is not set to send audio signals to this unit.	On the Bluetooth device, select this unit as the audio output destination.	30
	The Bluetooth connection has been cut.	Perform Bluetooth connection operations again.	30
	The unit and the Bluetooth devices are too far apart.	Move the Bluetooth device closer to the unit.	—
	Wireless communication is being obstructed by interference from a device that uses the 2.4 GHz frequency band (e.g., microwave oven or wireless LAN).	Move this unit or your Bluetooth device farther away from such devices. If your wireless LAN router supports the 5 GHz frequency band, switch to a connection that uses the 5 GHz frequency band.	—

Network

Problem	Cause	Action	Reference page
Unable to use the network function.	The network parameters (IP address) have not been obtained properly.	Enable the DHCP server function of your router.	—
	The audio output select switch of this unit is set to PHONO OUT.	Set the audio output select switch of this unit to LINE OUT.	14
	The WIRELESS switch located on the back panel of this unit is turned OFF.	Set the WIRELESS switch located on the back panel of this unit to AUTO.	14
	You are attempting to connect to an IPv6 type router.	This unit is not compatible with IPv6 networks. Connect it to an IPv4 network.	—
The unit is unable to connect to the Internet via a wireless LAN router (access point).	The wireless LAN router (access point) is turned off.	Turn on the power to the wireless LAN router (access point).	—
	The unit and the wireless LAN router (access point) are too far apart.	Place the unit and the wireless LAN router (access point) closer to each other.	—
	There is an obstacle between the unit and the wireless LAN router (access point).	Remove the obstruction that is between this unit and your wireless LAN router (access point).	—
The wireless network cannot be used.	A device emitting electromagnetic waves (such as a microwave oven, a wireless device and so on) may be located nearby.	When connecting the unit wirelessly, do not use it near devices that emit electromagnetic waves.	—
	Access to the network is restricted by the firewall settings of the wireless LAN router (access point).	Check the firewall settings of the wireless LAN router (access point).	—
The computer (server) cannot be detected.	The media sharing settings on the PC (or server) may be incorrect.	Modify the media sharing settings so that the unit will be able to access the folders on the PC (or server).	—
	Access is restricted due to the security settings on the PC (or server) or router.	Check the security settings on the PC (or server) or router.	—
	The unit and the PC are not connected to the same network.	Check the network connection and the router settings to make sure that they are connected to the same network.	—
Files on the PC (or server) are not displayed (or played back).	The file format is not supported by the unit or the PC (or server).	Be sure to use a file format that is supported by the unit and the PC.	43

Problem	Cause	Action	Reference page
Unable to play the Internet radio.	The selected Internet radio station is currently out of service.	There may be a network problem at the radio station, or the broadcasting service may have been stopped. Try to play the station later or select another station.	—
	The currently-selected radio station is broadcasting silence.	Some Internet radio stations broadcast silence at certain times of the day. In this case, there is no problem with the reception, but no audio will be produced. Try to play the station later or select another station.	—
	Access to the network is restricted by the firewall settings of the network devices (such as the router).	Check the firewall settings on your devices. The Internet radio can be played only through the port designated by each radio station. The port number varies depending on the radio station.	—
The iOS device does not detect the unit when using AirPlay.	You may be using a router that supports multiple SSIDs.	The router's network separator function may be blocking access to the unit. If you are connecting an iOS device to the unit, use an SSID that allows access to the unit. (Try to connect to the Primary SSID.)	—
The unit is not detected when using a dedicated application on a mobile device.	The unit and the mobile device are not on the same network.	Check the network connection and the router settings to make sure that they are connected to the same network.	—
	You may be using a router that supports multiple SSIDs.	The router's network separator function may be blocking access to the unit. If you are connecting an iOS device to the unit, use an SSID that allows access to the unit. (Try to connect to the Primary SSID.)	—
The firmware on this unit failed to update.	The network connection may not be good.	Try updating again after a while.	34
The unit is unable to connect to the wireless LAN router (access point).	MAC address filtering may have been enabled on the wireless LAN router (access point).	The unit is unable to connect to the router if MAC address filtering is enabled. Change the setting on the wireless LAN router (access point), and try to connect the unit again.	—

Supported devices and file formats

The following devices and file formats can be used by the unit.

Supported devices

■ Bluetooth devices

- ◆ You can use Bluetooth devices that support the A2DP protocol.
- ◆ Yamaha does not guarantee the connections of all Bluetooth devices.

■ AirPlay

This Network Turntable is compatible with AirPlay 2. iOS 11.4 or later is required.

File formats

■ PC/NAS

File	Sampling frequency (kHz)	Bit depth (bit)	Bitrate (kbps)	Number of channels	Support for gapless playback
WAV *	32/44.1/48/ 88.2/96/ 176.4/192	16/24	-	2	✓
MP3	32/44.1/48	-	8–320	2	-
WMA	32/44.1/48	-	8–320	2	-
MPEG-4 AAC	32/44.1/48	-	8–320	2	-
FLAC	32/44.1/48/ 88.2/96/ 176.4/192	16/24	-	2	✓
ALAC	32/44.1/48/ 88.2/96	16/24	-	2	✓
AIFF	32/44.1/48/ 88.2/96/ 176.4/192	16/24	-	2	✓
DSD	2.8 MHz/ 5.6 MHz 11.2 MHz	1	-	2	-

* Linear PCM format only

- ◆ To play back FLAC files stored on your PC/NAS, you must install server software that supports the sharing of FLAC files via DLNA on your PC, or use a NAS device that supports FLAC files.
For more information, refer to the instruction manual for the server software.
- ◆ Digital Rights Management (DRM) encoded content cannot be played back.

Trademarks



Use of the Works with Apple badge means that an accessory has been designed to work specifically with the technology identified in the badge and has been certified by the developer to meet Apple performance standards.

Apple, AirPlay, Apple TV, Apple Watch, iPad, iPad Air, iPad Pro, iPhone, and Lightning are trademarks of Apple Inc., registered in the U.S. and other countries.

App StoreSM

App Store is a service mark of Apple Inc.

WindowsTM

Windows is a registered trademark of Microsoft Corporation in the United States and other countries.

Internet Explorer, Windows Media Audio and Windows Media Player are either registered trademarks or trademarks of Microsoft Corporation in the United States and/or other countries.

AndroidTM Google PlayTM

Android and Google Play are trademarks of Google LLC.



The Wi-Fi CERTIFIEDTM Logo is a certification mark of Wi-Fi Alliance[®].

Wi-Fi, Wi-Fi CERTIFIED and Wi-Fi Protected Setup are registered trademarks or trademarks of Wi-Fi Alliance[®].



The Bluetooth[®] word mark and logos are registered trademarks owned by Bluetooth SIG, Inc., and any use of such marks by Yamaha Corporation is under license. Other trademarks and trade names are those of their respective owners.



Yamaha Eco-Label is a mark that certifies products of high environmental performance.



MusicCast is a trademark or registered trademark of Yamaha Corporation.

Explanations regarding GPL/LGPL

This product utilizes GPL/LGPL open-source software in some sections.

You have the right to obtain, duplicate, modify, and redistribute only this open-source code.

For information on GPL/LGPL open source software, how to obtain it, and the GPL/LGPL license, refer to the Yamaha Corporation website:

<https://download.yamaha.com/sourcecodes/musiccast/>

Licenses

For information on the licenses of the third-party software in this product, refer to the following.

[http://\(IP address of this product*\)/licenses.html](http://(IP address of this product*)/licenses.html)

* IP address of this product is checked with MusicCast CONTROLLER.

Specifications

The specifications of this unit are as follows.

Platter section

Drive method	Belt drive
Motor	DC motor
Rotation Speed	33 1/3 rpm, 45 rpm
Rotation Speed Variation	±2%
Wow and flutter0.2%
Platter	Aluminium die-casting Diameter 30 cm

Tone arm section

Type	Static balance straight tone arm
Effective arm length	223.5 mm
Stylus pressure adjustment range	0–4 g
Acceptable cartridge weight	15.5–19 g (including head shell)
Overhang	19 mm

Cartridge section

Type	MM type
Output voltage	2.5 mV (1 kHz, 3.54 cm/sec)
Stylus pressure3.5 ±0.5 g
Cartridge weight5.0 ±0.3 g
Cartridge Height17.0 ±0.7 mm
Head shell weight	10 g (including screws, nuts, and wires)

Input/output terminals

Analog audio (RCA Unbalanced)
PHONO OUT×1
LINE OUT×1
NETWORK (Wired) ×1 (100Base-TX/10Base-T)

Bluetooth

Sink Function	
Source Device to this unit (ex. Smartphone/Tablet)	
Supported codecSBC, AAC
Supported profileA2DP, AVRCP
Bluetooth versionVer. 4.2
Wireless outputBluetooth Class 2
Maximum communication distance10 m (33 ft) without interference

Network

AirPlay supported
Internet Radio

Wireless Network

Wireless Network Standards	IEEE 802.11 a/b/g/n/ac*
	* 20 MHz channel bandwidth only
Radio Frequency Band	2.4 GHz, 5 GHz
WPS (Wi-Fi Protected Setup)	
PIN method	
Available Security Method	
WEP	
WPA2-PSK (AES)	
Mixed Mode	

Audio section (Network, Bluetooth)

Output level (1 kHz, 0 dB, Fs 44.1 kHz)	2.0 ±0.3 V
Signal to Noise Ratio (IHF-A Network) (Infinity zero, Fs 44.1 kHz)	110 dB or higher
Dynamic range (1 kHz, -60 dB, Fs 44.1 kHz)	100 dB or higher
Harmonic Distortion (1 kHz, 0 dB, Fs 44.1 kHz)	0.003% or lower
Frequency Response	
Fs 44.1 kHz	2 Hz–20 kHz (+0/-3 dB)
Fs 48 kHz	2 Hz–24 kHz (+0/-3 dB)
Fs 96 kHz	2 Hz–48 kHz (+0/-3 dB)
Fs 192 kHz	2 Hz–96 kHz (+0/-6 dB)

Audio section (PHONO)

Output level	
PHONO OUT (1 kHz, 3.54 cm/sec)	2.5 mV ±3 dBV
LINE OUT	450 mV (-7 dBV)
Signal to Noise Ratio (A-weighted, 20 kHz LPF)	.67 dB or higher

General

AC adaptor power supply	
Input	AC 100-240 V 50/60 Hz
Output	12 V 1 A
Power consumption	6 W
Eco standby	0.3 W
Network Standby On/Bluetooth Standby Off	
Wired	2.0 W
Wireless (Wi-Fi)	2.0 W
Network Standby On/Bluetooth Standby On	
Wired	2.0 W
Wireless (Wi-Fi)	2.0 W
Weight	5.7 kg / 12.6 lbs
Dimensions (width × height × depth)	
	450 × 136 × 368 mm / 17-3/4" × 5-3/8" × 14-1/2"
	(including legs and protrusions)

- ♦ The contents of this manual apply to the latest specifications as of the publishing date. To obtain the latest manual, access the Yamaha website then download the manual file.

[U.K. model]

Wireless communication functions

Bluetooth

Radio Frequency (Operational Frequency): 2402 MHz to 2480 MHz
 Maximum Output Power (EIRP): 7.27 dBm

Wi-Fi (2.4 GHz)

Radio Frequency: 2402 MHz to 2482 MHz
 Maximum Output Power (EIRP): 19.98 dBm

Wi-Fi (5 GHz)

Radio Frequency, Maximum Output Power (EIRP):
 5170 to 5250MHz, 22.03 dBm
 5250 to 5330MHz, 22.27 dBm
 5490 to 5710MHz, 24.56 dBm
 5735 to 5835MHz, 13.96 dBm

- Wireless devices transmitting over a 5 GHz frequency band can only be used indoors. Use of such devices outdoors is prohibited by law.

EN	SIMPLIFIED EU DECLARATION OF CONFORMITY
<p>Hereby, Yamaha Music Europe GmbH declares that the radio equipment type [TT-N503] is in compliance with Directive 2014/53/EU. The full text of the EU declaration of conformity is available at the following internet address: https://europe.yamaha.com/en/support/compliance/doc.html</p>	



AT	CZ	FR	IE	LU	PT	ES	LI	MK
BE	DK	DE	IT	MT	RO	SE	NO	TR
BG	EE	EL	LV	NL	SK	UK(NI)	CH	ME
CY	FI	HU	LT	PL	SI	IS	HR	RS

Information for users on collection and disposal of old equipment:



This symbol on the products, packaging, and/or accompanying documents means that used electrical and electronic products should not be mixed with general household waste.

For proper treatment, recovery and recycling of old products, please take them to applicable collection points, in accordance with your national legislation.

By disposing of these products correctly, you will help to save valuable resources and prevent any potential negative effects on human health and the environment which could otherwise arise from inappropriate waste handling.

For more information about collection and recycling of old products, please contact your local municipality, your waste disposal service or the point of sale where you purchased the items.

For business users in the European Union:

If you wish to discard electrical and electronic equipment, please contact your dealer or supplier for further information.

Information on Disposal in other Countries outside the European Union:

This symbol is only valid in the European Union. If you wish to discard these items, please contact your local authorities or dealer and ask for the correct method of disposal.

(weee_eu_en_02)

AVEEA71102A

Important Notice: Guarantee Information for customers in EEA* and Switzerland	English
<p>For detailed guarantee information about this Yamaha product, and Pan-EEA* and Switzerland warranty service, please either visit the website address below (Printable file is available at our website) or contact the Yamaha representative office for your country.</p> <p>* EEA: European Economic Area</p>	

<http://europe.yamaha.com/warranty/>

Ce produit est conçu pour l'écoute de sources audio dans le cadre domestique.

CONSIGNES DE SÉCURITÉ À LIRE ATTENTIVEMENT

- 1 **Lisez les instructions ci-après.**
- 2 **Conservez ces instructions.**
- 3 **Tenez compte des avertissements.**
- 4 **Suivez toutes les instructions.**
- 5 **N'utilisez pas cet instrument dans un milieu humide.**
- 6 **Employez uniquement un chiffon sec pour nettoyer l'instrument.**
- 7 **N'obstruez pas les ouvertures prévues pour la ventilation. Installez l'instrument conformément aux instructions du fabricant.**
- 8 **N'installez pas l'instrument près d'une source de chaleur, notamment un radiateur, une bouche de chaleur, un poêle ou autres (y compris les amplificateurs).**
- 9 **Ne modifiez pas les caractéristiques de la fiche avec mise à la terre polarisée. Une fiche polarisée est dotée de deux broches (l'une est plus large que l'autre). Une fiche avec mise à la terre comprend deux broches, ainsi qu'une troisième qui relie l'instrument à la terre. La broche la plus large (ou troisième broche) permet de sécuriser l'installation électrique. Si vous ne pouvez pas brancher le cordon d'alimentation dans la prise d'alimentation, demandez à un électricien de la remplacer.**
- 10 **Protégez le cordon d'alimentation. Cela permet d'éviter de marcher dessus ou de le tordre au niveau de la fiche, de la prise d'alimentation et des points de contact sur l'instrument.**
- 11 **N'employez que les dispositifs/accessoires indiqués par le fabricant.**
- 12 **Utilisez uniquement le chariot, le socle, le trépied, le support ou le plan indiqués par le fabricant ou livrés avec l'instrument. Si vous utilisez un chariot, soyez prudent si vous le déplacez avec l'instrument posé dessus pour éviter de le renverser.**
- 13 **Débranchez l'instrument en cas d'orage ou lorsque vous ne l'utilisez pas pendant des périodes prolongées.**
- 14 **Confiez toutes les réparations à des techniciens qualifiés. Des réparations sont nécessaires lorsque l'instrument est endommagé, notamment dans les cas suivants : cordon d'alimentation ou fiche défectueuse, liquides ou objets projetés sur l'appareil, exposition aux intempéries ou à l'humidité, fonctionnement anormal ou chute.**



AVERTISSEMENT

N'UTILISEZ PAS L'INSTRUMENT SOUS LA PLUIE OU DANS UN ENVIRONNEMENT HUMIDE, FAUTE DE QUOI VOUS RISQUEZ DE PROVOQUER UN INCENDIE OU DE VOUS ÉLECTROCUTER.

(UL60065_03)

Cet équipement est conforme aux limites d'exposition aux rayonnements énoncées pour un environnement non contrôlé et respecte les règles des radioélectriques (RF) de la FCC lignes directrices d'exposition et d'exposition aux fréquences radioélectriques (RF) CNR-102 de l'IC.

Cet équipement doit être installé et utilisé en gardant une distance de 20 cm ou plus entre le dispositif rayonnant et le corps humain.

CAN ICES-3 (B)/NMB-3(B)

(can_b_02)

La bande 5150-5350 MHz est restreinte à une utilisation à l'intérieur seulement.

Les radars de haute puissance sont désignés utilisateurs principaux (c.-à-d., qu'ils ont la priorité) pour les bandes 5250-5350 MHz et 5650-5850 MHz, et ces radars pourraient causer du brouillage et/ou des dommages aux dispositifs LAN-EL.

Le présent appareil est conforme aux CNR d'Industrie Canada applicables aux appareils radio exempts de licence.

L'exploitation est autorisée aux deux conditions suivantes :

- 1) l'appareil ne doit pas produire de brouillage;
- 2) l'utilisateur de l'appareil doit accepter tout brouillage radioélectrique subi, même si le brouillage est susceptible d'en compromettre le fonctionnement.

PRÉCAUTIONS D'USAGE

LISEZ ATTENTIVEMENT AVANT DE PROCÉDER À TOUTE UTILISATION. VEILLEZ À SUIVRE CES INSTRUCTIONS.

Les mises en garde énumérées ci-dessous sont destinées à prévenir les risques pour l'utilisateur et les tiers, à éviter les dommages matériels et à aider l'utilisateur à se servir de l'appareil correctement et en toute sécurité. Assurez-vous de suivre ces instructions.

Après avoir consulté ce manuel, conservez-le dans un endroit sûr de façon à pouvoir vous y reporter facilement.

- Veillez à faire inspecter ou réparer l'appareil par le revendeur auprès duquel vous l'avez acheté ou par un technicien Yamaha qualifié.
- Yamaha ne peut être tenu responsable des dommages corporels et matériels causés par une mauvaise manipulation de l'instrument ou par des modifications apportées à l'appareil.
- Ce produit est conçu pour un usage courant dans les résidences standard. Ne l'utilisez pas pour des applications nécessitant une haute fiabilité, telles que la gestion des gestes essentiels à la vie, des soins de santé ou des biens de grande valeur.



AVERTISSEMENT

Ce contenu indique « un risque de blessures graves ou de mort ».

Alimentation/adaptateur secteur

- Ne faites rien qui pourrait endommager le cordon d'alimentation.
 - Ne le placez pas à proximité d'un radiateur.
 - Évitez de le plier excessivement ou de le modifier.
 - Évitez de l'érafler.
 - Ne placez pas dessus d'objets lourds.L'utilisation du cordon d'alimentation en ayant le conducteur du cordon exposé pourrait provoquer des chocs électriques ou un incendie.
- En cas de risque d'impact de foudre à proximité de l'appareil, évitez de toucher la fiche d'alimentation. Le non-respect de cette consigne peut entraîner des chocs électriques.
- Assurez-vous d'utiliser l'appareil avec la tension d'alimentation appropriée, telle qu'imprimée sur l'appareil. L'absence de raccordement à une prise secteur appropriée pourrait provoquer un incendie, des chocs électriques ou des dysfonctionnements.
- Veillez à utiliser l'adaptateur secteur fourni. Le non-respect de cette consigne peut entraîner un incendie, des brûlures ou des dysfonctionnements.

- Vérifiez périodiquement l'état de la prise électrique, dépoussiérez-la et nettoyez-la en prenant soin de retirer toutes les impuretés qui pourraient s'y accumuler. Le non-respect de cette consigne peut entraîner un incendie ou des chocs électriques.
- Lors de l'installation de l'appareil, assurez-vous que la prise secteur que vous utilisez est facilement accessible. En cas de problème ou de dysfonctionnement, désactivez immédiatement l'interrupteur d'alimentation et retirez la fiche de la prise secteur. Même lorsque l'interrupteur d'alimentation est en position désactivée, l'appareil n'est pas déconnecté de la source d'électricité tant que le cordon d'alimentation reste branché à la prise murale.
- Si vous entendez le tonnerre gronder ou suspectez l'imminence d'un éclair, mettez immédiatement l'appareil hors tension et débranchez la fiche d'alimentation de la prise secteur. Le non-respect de cette consigne peut entraîner un incendie ou des dysfonctionnements.
- Si vous prévoyez de ne pas utiliser l'appareil pendant une longue période de temps, assurez-vous de retirer la fiche d'alimentation de la prise secteur. Le non-respect de cette consigne peut entraîner un incendie ou des dysfonctionnements.

Démontage interdit

- Ne tentez pas de démonter ou de modifier l'appareil. Le non-respect de cette procédure risque d'entraîner un incendie, des chocs électriques, des blessures ou des dysfonctionnements. En cas d'anomalie, veuillez à faire inspecter ou réparer l'appareil par le revendeur auprès duquel vous l'avez acheté ou par un technicien Yamaha qualifié.

Avertissement relatif à la présence d'eau

- N'exposez pas l'appareil à la pluie, ne l'utilisez pas près d'une source d'eau ou dans un milieu humide et ne déposez pas dessus des récipients (tels que des vases, des bouteilles ou des verres) contenant des liquides qui risqueraient de s'infiltrer par les ouvertures ou de dégouliner. Toute infiltration de liquide tel que de l'eau à l'intérieur de l'appareil risque de provoquer un incendie, des chocs électriques ou des dysfonctionnements. Si un liquide, tel que de l'eau, pénètre à l'intérieur de l'appareil, mettez immédiatement ce dernier hors tension et débranchez le cordon d'alimentation de la prise secteur. Faites ensuite inspecter l'appareil par le revendeur auprès duquel vous l'avez acheté ou par un technicien Yamaha qualifié.
- N'essayez jamais de retirer ou d'insérer une fiche électrique avec les mains mouillées. Ne manipulez pas l'appareil en ayant les mains mouillées. Le non-respect de cette procédure risque d'entraîner des chocs électriques ou des dysfonctionnements.

Prévention contre les incendies

- Ne placez pas d'objets brûlants ou de flammes nues à proximité de l'appareil, au risque de provoquer un incendie.

Appareil sans fil

- N'utilisez pas cet appareil à proximité d'appareils médicaux ou au sein d'installations médicales. Les ondes radio transmises par l'appareil peuvent affecter les appareils électro-médicaux.
- N'utilisez pas cet appareil à moins de 15 cm des personnes disposant d'un stimulateur cardiaque ou d'un défibrillateur. Les ondes radio émanant de cet appareil peuvent affecter le fonctionnement des équipements électro-médicaux tels que les stimulateurs cardiaques ou les défibrillateurs cardiaques.

En cas d'anomalie

- Si l'un des problèmes suivants se produit, coupez immédiatement l'alimentation et retirez la fiche d'alimentation.
 - Le cordon/la fiche d'alimentation est endommagé(e).
 - Une odeur inhabituelle ou de la fumée se dégage de l'appareil.
 - Un corps étranger a pénétré à l'intérieur de l'appareil.
 - L'appareil est fissuré ou endommagé.En continuant d'utiliser l'appareil dans ces conditions, vous risquez de provoquer des chocs électriques, un incendie ou des dysfonctionnements. Faites immédiatement inspecter ou réparer l'appareil par le revendeur auprès duquel vous l'avez acheté ou par un technicien Yamaha qualifié.

- Veillez à ne pas faire tomber l'appareil ni son adaptateur secteur et à ne pas leur appliquer une pression excessive. Si vous suspectez que l'appareil a pu être endommagé à la suite d'une chute ou d'un impact, coupez immédiatement l'alimentation et retirez la fiche de la prise secteur. Le non-respect de cette procédure risque d'entraîner des chocs électriques, un incendie ou des dysfonctionnements. Faites immédiatement inspecter l'appareil par le revendeur auprès duquel vous l'avez acheté ou par un technicien Yamaha qualifié.



ATTENTION

Ce contenu indique « un risque de blessures ».

Alimentation/adaptateur secteur

- Ne couvrez pas et n'entourez pas l'adaptateur secteur avec un chiffon ou une couverture. Le non-respect de cette consigne peut provoquer la formation de chaleur à l'intérieur de l'appareil et cause une déformation en cas d'incendie.
- N'utilisez pas une prise secteur dans laquelle la fiche d'alimentation ne peut pas s'insérer fermement. Le non-respect de cette consigne peut entraîner un incendie, des chocs électriques ou des brûlures.
- Veillez à toujours saisir la fiche elle-même, et non le câble, pour la retirer de l'appareil ou de la prise secteur. Si vous tirez sur le cordon, vous risquez de l'endommager et de provoquer des chocs électriques ou un incendie.

- Introduisez complètement la fiche d'alimentation dans la prise secteur. L'utilisation de l'appareil alors que la fiche d'alimentation n'est pas complètement insérée dans la prise peut entraîner une accumulation de poussière sur la fiche et provoquer un incendie ou des brûlures.

Installation

- Ne placez pas l'appareil dans une position instable afin d'éviter qu'il ne tombe ou se renverse accidentellement et ne provoque des blessures.
- Lors de l'installation de l'appareil :
 - Évitez de couvrir l'appareil avec un tissu.
 - N'installez pas l'appareil sur une moquette ou un tapis.
 - Assurez-vous de disposer l'appareil en orientant sa face supérieure vers le haut ; ne le placez pas sur le côté ou à l'envers.
- Veillez à ce que la face supérieure soit orientée vers le haut. Le non-respect de cette consigne peut causer des dysfonctionnements ou entraîner la chute de l'appareil et causer des blessures.
- N'installez pas l'appareil dans des endroits où il pourrait entrer en contact avec des gaz corrosifs ou de l'air à haute teneur en sel, ou encore des endroits exposés à une fumée ou une vapeur excessive. Cela pourrait provoquer des dysfonctionnements.
- Évitez d'être à proximité de l'appareil lors de la survenue d'une catastrophe naturelle telle qu'un tremblement de terre. Compte tenu du risque de renversement ou de chute de l'appareil pouvant entraîner des blessures, pensez à vous éloigner rapidement de l'appareil et à vous réfugier dans un lieu sûr.

- Avant de déplacer l'appareil, veillez à désactiver l'interrupteur d'alimentation et à déconnecter tous les câbles de connexion. Le non-respect de cette consigne peut entraîner l'endommagement des câbles ou provoquer le trébuchement et la chute de l'utilisateur ou d'autres personnes.

Perte de capacités auditives

- Avant de raccorder l'unité à d'autres appareils, mettez tous les appareils concernés hors tension. Le non-respect de ces mesures peut provoquer une perte d'acuité auditive, entraîner un risque d'électrocution ou endommager l'appareil.
- Lorsque vous mettez le système audio sous tension, allumez toujours l'amplificateur ou le récepteur en DERNIER pour éviter d'endommager votre ouïe et les haut-parleurs. Lors de la mise hors tension, vous devez éteindre l'amplificateur ou le récepteur en PREMIER pour la même raison. Le non-respect des consignes précédentes risque d'entraîner une déficience auditive ou d'endommager le casque.

Entretien

- Retirez la fiche d'alimentation de la prise secteur avant de procéder au nettoyage de l'appareil. Le non-respect de cette consigne peut entraîner des chocs électriques.

Précautions d'utilisation

- Conservez les petites pièces hors de portée des enfants en bas âge. Vos enfants risquent de les avaler accidentellement.
- Évitez de faire ce qui suit :
 - vous mettre debout ou vous assoir sur l'appareil.
 - placer des objets lourds sur l'appareil.
 - disposer l'appareil en pile.
 - appliquer une force excessive sur les boutons, les commutateurs, les bornes d'entrée/sortie, etc.
 - vous appuyer sur l'appareil.
- Évitez de débrancher les câbles connectés afin de ne pas causer de blessures ou de dommages matériels qui pourraient résulter de la chute de l'appareil.

Avis

Indique les points que vous devez respecter afin d'éviter toute défaillance, dommage ou dysfonctionnement du produit et toute perte de données.

Alimentation/adaptateur secteur

- Si vous prévoyez de ne pas utiliser l'appareil pendant une longue période de temps, assurez-vous de retirer le cordon d'alimentation de la prise secteur. Une quantité infime de courant circule toujours dans l'appareil même après sa mise hors tension (en mode veille).

Installation

- N'utilisez pas l'appareil à proximité d'autres équipements électroniques, tels qu'un téléviseur, une radio ou un téléphone mobile. Si vous ne respectez pas cette consigne, l'appareil, le téléviseur ou la radio risquent de provoquer des interférences.
- N'utilisez pas l'appareil dans un emplacement exposé à la lumière directe du soleil, à une température très élevée (à proximité d'un appareil de chauffage) ou très basse, à un dépôt de poussière excessif ou à de fortes vibrations. Le non-respect de cette consigne peut entraîner la déformation du panneau de l'appareil, le dysfonctionnement de ses composants internes ou l'instabilité de ses opérations.
- Si vous utilisez une fonction sans fil, évitez d'installer cet appareil à proximité de parois métalliques ou de bureaux en métal, de fours à micro-ondes ou d'autres dispositifs de réseau sans fil.
Les obstructions pourraient raccourcir la distance de transmission.

Raccordements

- En cas de connexion d'unités externes, assurez-vous de lire attentivement le mode d'emploi de l'appareil concerné et reliez-le conformément aux instructions fournies.
La non-conformité aux instructions de manipulation peut provoquer le dysfonctionnement de l'appareil.

Manipulation

- Ne placez pas de produits en plastique ou en caoutchouc sur l'appareil. Le non-respect de cette consigne peut provoquer une décoloration ou une déformation du panneau de cet appareil.
- Si la température ambiante change radicalement (comme pendant le transport de l'appareil ou dans des conditions de surchauffe ou de refroidissement rapides) et que de la condensation se forme dans l'appareil, laissez-le hors tension pendant plusieurs heures jusqu'à ce qu'il soit complètement sec avant de le réutiliser. L'utilisation de l'appareil en cas de formation de condensation peut entraîner son dysfonctionnement.

Entretien

- Si la température ou le degré d'humidité change radicalement, des gouttelettes d'eau (de la condensation) pourrait se former sur la surface de l'appareil. En cas de formation de condensation, essuyez immédiatement la surface de l'appareil avec un chiffon doux et sec. Si la condensation n'est pas éliminée de la surface de l'appareil, elle risque d'être absorbée par les composants en bois, causant leur déformation.
- Utilisez un chiffon doux et sec pour le nettoyage de l'appareil. L'utilisation de produits chimiques tels que de la benzène ou du diluant, de produits d'entretien ou de chiffons de lavage chimique peut causer la décoloration ou la déformation de l'appareil.

Informations

À propos du contenu de ce manuel

- Les illustrations et les captures d'écran figurant dans ce manuel servent uniquement à expliciter les instructions.
- Les noms de société et les noms de produit mentionnés dans ce manuel sont des marques commerciales ou des marques déposées de leurs sociétés respectives.
- Le logiciel peut être révisé et mis à jour sans préavis.

■ À propos du nom de l'appareil

Le numéro de modèle, le numéro de série, l'alimentation requise, etc., se trouvent sur ou près de la plaque signalétique du produit, située dans la partie inférieure de l'unité. Notez le numéro de série dans l'espace fourni ci-dessous et conservez ce manuel en tant que preuve permanente de votre achat afin de faciliter l'identification du produit en cas de vol.

N° de modèle

N° de série

(bottom_fr_01)



Table des matières

Prise en main **10**

Fonctions de cette unité	10
À propos de ce manuel	11
Manipulation des disques vinyle	11
Vérification du contenu	11
Fonctions et éléments de l'unité	12
Panneau supérieur	12
Panneau arrière	14

Préparatifs **15**

Emplacement	15
Montage	15
Montage de l'unité	15
Montage du capot	17
Effectuer les connexions	18
Connexion à un amplificateur	18
Raccordement d'un câble réseau	19
Effectuer les réglages	20
Réglage de la pression du diamant	20
Réglage du dispositif anti-skating	22
Mise sous tension	22
À propos des modes de veille de cette unité	22
Connexion de l'unité au réseau	23

Lecture 25

Écouter un disque vinyle	25
Écoute de la radio Internet	28
Écoute de services de diffusion	28
Lecture de fichiers musicaux stockés sur un serveur multimédia (PC/NAS)	29
Configuration de partage de support	29
Lecture de fichiers musicaux	29
Écoute de musique via Bluetooth	30
Écoute de musique avec AirPlay	31
Mémorisation de favoris avec MusicCast CONTROLLER	31

Réglages approfondis 32

Effectuer des réglages avec MusicCast CONTROLLER	32
Réglage de la minuterie	32
Activation/désactivation de la lecture automatique	32
Activation/désactivation de la veille automatique.	32
Effectuer des réglages avec un navigateur Internet	33
Affichage de l'écran des paramètres	33

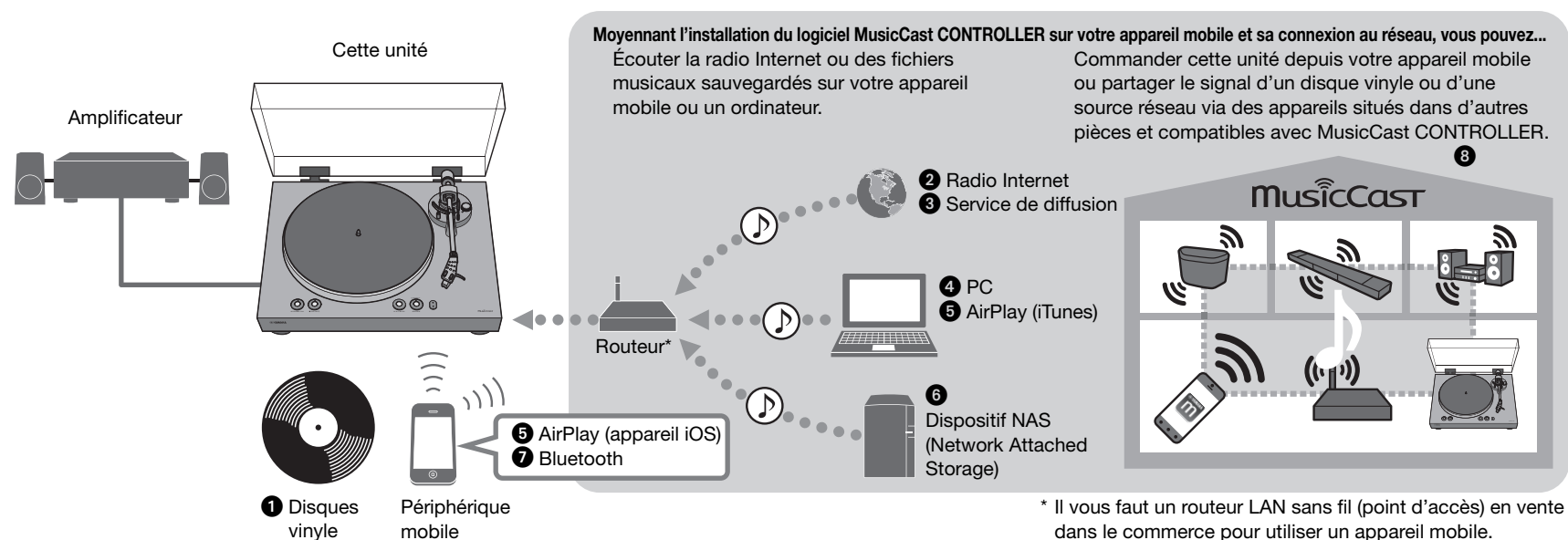
En cas de nécessité 34

Mise à jour du microprogramme	34
Initialisation des paramètres	35
Connexion à un réseau via la fonction WAC	35
Soin et entretien	36
Remplacement de pièces	36
Remplacement de la courroie	36
Remplacement du diamant	37
Déplacement de l'unité	37
Résolution des problèmes	38
Généralités	38
Bluetooth	40
Réseau	41
Appareils et formats de fichiers compatibles	43
Appareils compatibles	43
Formats de fichier	43
Marques commerciales	44
Caractéristiques techniques	45

Prise en main

Fonctions de cette unité

Outre la lecture de disques vinyle, cette platine vinyle connectée prend en charge la lecture de sources réseau telles que des serveurs multimédias ou appareils mobiles.



❶ Lecture de disques vinyle (⇒ page 25)

❷ Écoute de la radio Internet (⇒ page 28)

❸ Écoute de services de diffusion (⇒ page 28)

❹ Lecture de fichiers musicaux stockés sur votre PC (⇒ page 29)

❺ Lecture de fichiers musicaux via AirPlay (⇒ page 31)

❻ Lecture de fichiers musicaux stockés sur un dispositif NAS (Network Attached Storage) (⇒ page 29)

❼ Lecture de contenus audio stockés sur un dispositif Bluetooth (⇒ page 30)

❽ Lecture de musique via MusicCast CONTROLLER (⇒ page 23)

À propos de ce manuel

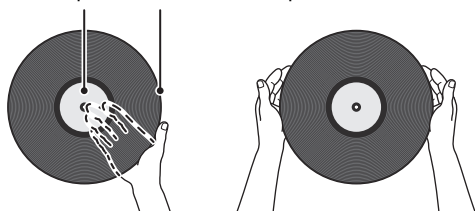
Veillez garder les points suivants à l'esprit quand vous lisez ce manuel.

- ◆ Les spécifications techniques et l'aspect du produit peuvent être modifiés sans préavis en vue d'améliorations du produit.
- ◆ Dans ce manuel, les dispositifs iPhone, iPad et iPod touch sont désignés collectivement par l'appellation « appareil iOS ».
- ◆ Ce manuel contient des exemples d'écran de l'application MusicCast CONTROLLER affichés en anglais sur un iPhone.
- ◆ Description des symboles graphiques utilisés dans ce mode d'emploi :
 - « **⚠ AVERTISSEMENT** » indique des consignes que vous devez observer pour éviter les risques de décès ou de blessures graves.
 - « **⚠ ATTENTION** » indique des consignes que vous devez observer pour éviter les risques de blessures.
 - **AVIS** indique des consignes que vous devez observer pour éviter d'endommager le produit ou de causer un fonctionnement incorrect.
 - **NOTE** indique des informations complémentaires qui vous seront utiles.

Manipulation des disques vinyle

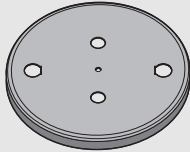
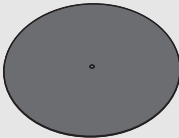
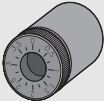
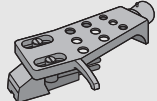
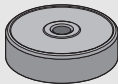
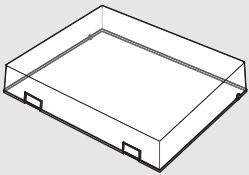
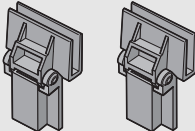
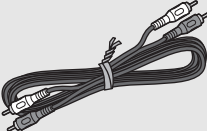
Pour manipuler un disque vinyle, saisissez-le en posant le pouce contre sa tranche et les autres doigts de la même main sur son étiquette, ou tenez le disque en maintenant sa tranche des deux mains.

Étiquette du disque Tranche du disque



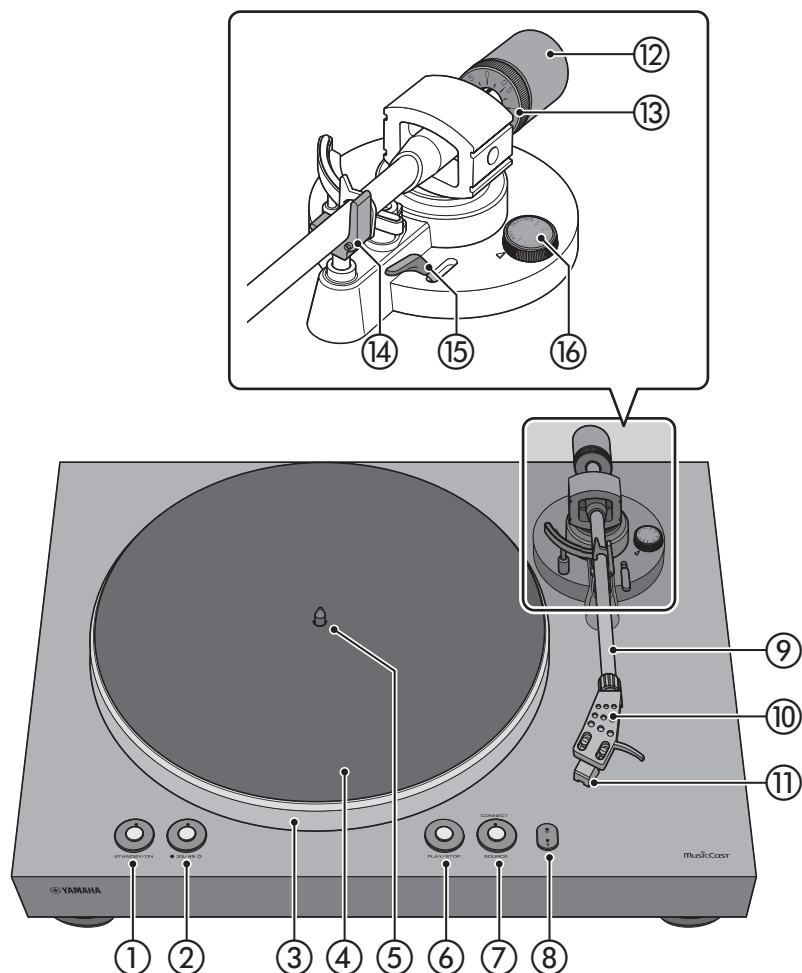
Vérification du contenu

Assurez-vous que l'emballage contient tous les éléments suivants.

<input type="checkbox"/> Plateau x1 	<input type="checkbox"/> Couvre-plateau x1 	<input type="checkbox"/> Courroie x1 * La courroie est installée sur le plateau.
<input type="checkbox"/> Contrepoids x1 	<input type="checkbox"/> Porte-cellule x1 (avec cellule) 	<input type="checkbox"/> Adaptateur centreur 45 tours x1 
<input type="checkbox"/> Capot x1 	<input type="checkbox"/> Charnière de capot x2 	<input type="checkbox"/> Câble stéréo RCA/Cinch x1 
<input type="checkbox"/> Adaptateur secteur x1 * Pour des détails, voyez le « Complément d'informations » fourni.	<input type="checkbox"/> Mode d'emploi (ce manuel) <input type="checkbox"/> Complément d'informations (dépliant)	

Fonctions et éléments de l'unité

Panneau supérieur



① STANDBY/ON (alimentation)

Met la platine sous tension et hors tension (veille). (⇒ page 22)

Témoin STANDBY/ON (alimentation)

Indique le statut d'alimentation de l'unité.

Allumé : alimentation activée

Faiblement éclairé : En mode de veille réseau (⇒ page 22)

Éteint : En mode de veille éco (⇒ page 22)

② 33/45 (tours) (⇒ page 26)

Témoin de vitesse (⇒ page 26)

③ Plateau (⇒ page 15)

④ Couvre-plateau (⇒ page 16)

⑤ Axe de plateau (⇒ page 15)

⑥ PLAY/STOP (lecture/arrêt) (⇒ page 26)

Démarre ou arrête la rotation du plateau.

NOTE

- ◆ Si la source (audio) réseau ou Bluetooth est choisie, ce bouton démarre/arrête la lecture de la source réseau.

⑦ SOURCE

Sélectionne la source (audio) pour cette unité. Chaque pression sur ce bouton active alternativement la source PHONO, réseau et Bluetooth.

NOTE

- ◆ Pour pouvoir changer de source, il faut que le sélecteur de sortie audio sur le panneau arrière de cette unité soit sur LINE OUT.

Témoin SOURCE

La couleur de ce témoin change selon la source sélectionnée.

Source	Couleur du témoin
PHONO	Blanc
réseau (AirPlay)	Rose
réseau (autre que AirPlay)	Vert
Bluetooth	Bleu

NOTE

- ◆ Quand un nouveau microprogramme est disponible, le témoin clignote en orange. (⇒ page 34)

CONNECT

Cette fonction est utilisée pour effectuer les réglages de connexion réseau avec MusicCast CONTROLLER. (⇒ page 23)

⑧ Témoin  (LAN sans fil)

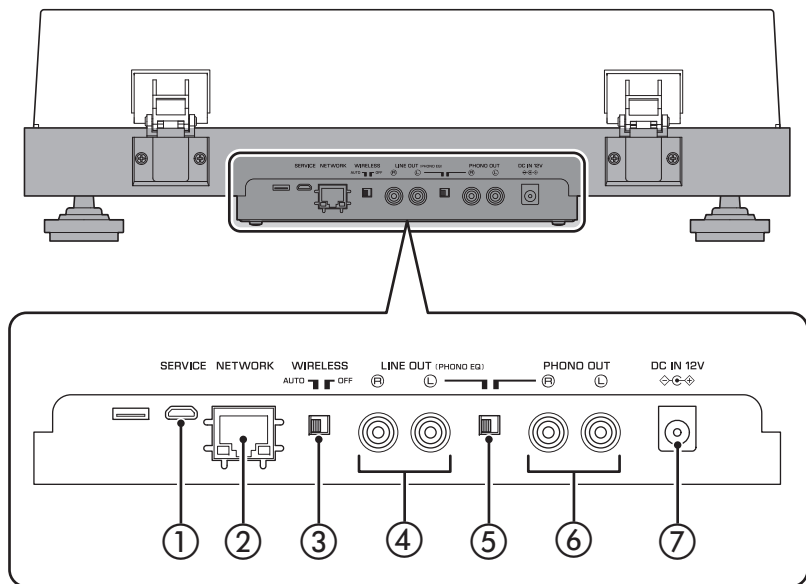
S'allume quand cette unité se connecte sans fil. (⇒ page 23)

Témoin  (Bluetooth)

S'allume lorsque cette unité se connecte à un dispositif Bluetooth. (⇒ page 30)

⑨ Bras de lecture (⇒ page 16)**⑩ Porte-cellule (⇒ page 16)****⑪ Cellule****⑫ Contrepoids (⇒ page 21)****⑬ Bague graduée du contrepoids (⇒ page 21)****⑭ Repose-bras (⇒ page 20)****⑮ Lève-bras (⇒ page 26)****⑯ Dispositif anti-skating (⇒ page 22)**

Panneau arrière



① Prise SERVICE

Cette prise est réservée aux opérations d'entretien. Elle n'est pas utilisée en temps normal.

② Prise NETWORK

Reliez cette prise à votre réseau avec un câble LAN (disponible dans le commerce).

③ Interrupteur WIRELESS

Active/désactive la fonction sans fil (y compris la connexion Bluetooth) de cette unité.

AUTO (par défaut) : La fonction sans fil est active.

OFF : La fonction sans fil est désactivée.

④ Prises LINE OUT

Restituent le signal de lecture du disque vinyle ou de la source réseau. (⇒ page 18)

⑤ Sélecteur de sortie audio

Sélectionne la sortie audio. (⇒ page 18)

LINE OUT (par défaut) : Le signal de la cellule est amplifié par le préampli phono intégré à cette unité et restitué par les prises LINE OUT.

PHONO OUT : Le signal de la cellule est directement restitué par les prises PHONO OUT.

⑥ Prises PHONO OUT

Ces prises restituent le signal audio du disque vinyle. (⇒ page 19)

⑦ Prise DC IN

Reliez l'adaptateur secteur (fourni) à cette prise. (⇒ page 18)

Préparatifs

Emplacement

Vu que les vibrations affectent facilement la lecture de disques vinyle, veillez à poser cette unité sur une surface de niveau et à l'abri de toute vibration. Positionnez l'unité suffisamment à l'écart des enceintes afin d'éviter que la pression sonore ou des vibrations n'affectent la lecture.

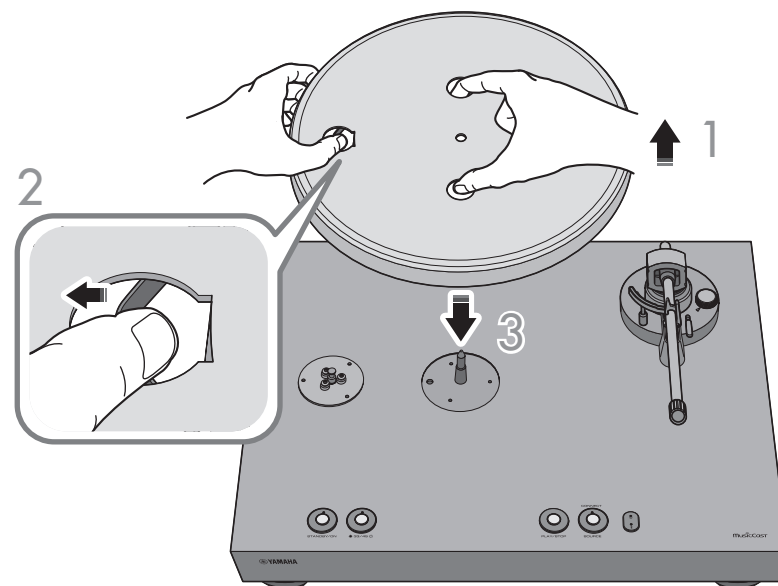
Montage

Montage de l'unité

- 1 Levez le plateau.
- 2 Insérez un doigt dans l'ouverture circulaire du plateau et poussez la courroie vers l'extérieur du plateau avec ce doigt.
- 3 Glissez le plateau sur l'axe de plateau.

ATTENTION

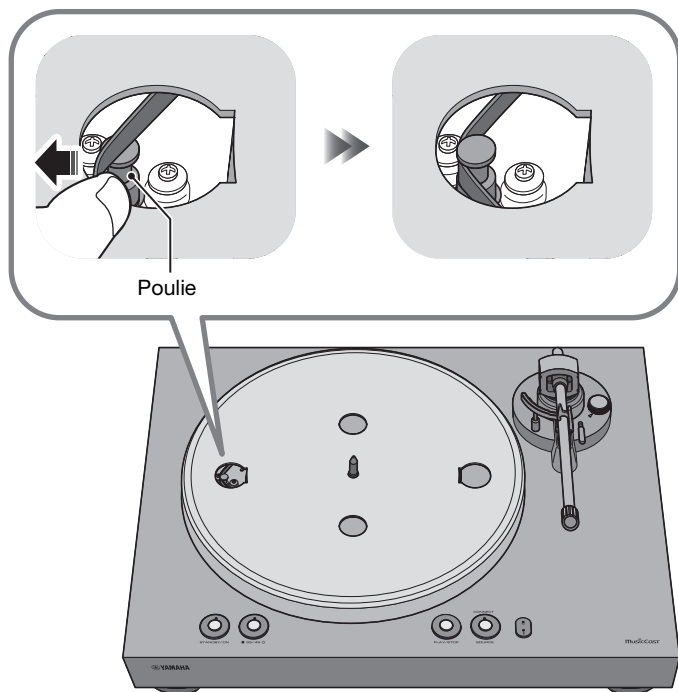
- ◆ Veillez à ne pas lâcher le plateau. Cela pourrait causer des blessures ou endommager l'unité.



4 Alignez l'orifice circulaire du plateau avec la poulie.

5 Mettez la courroie en place sur la poulie avec le doigt la maintenant tendue.

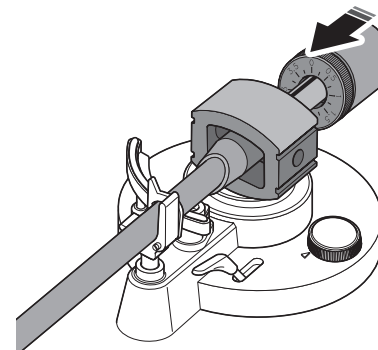
Veillez à ne pas tordre la courroie. Après avoir accroché la courroie sur la poulie, tournez plusieurs fois le plateau pour vérifier qu'elle est parfaitement en place.



6 Posez le couvre-plateau sur le plateau.

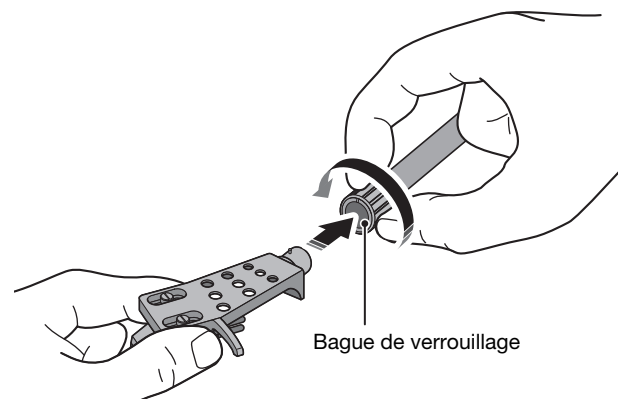
7 Montez le contrepoids sur le bras de lecture.

Positionnez les repères du contrepoids vers vous et glissez le contrepoids sur l'arrière du bras de lecture.



8 Montez le porte-cellule sur le bras de lecture.

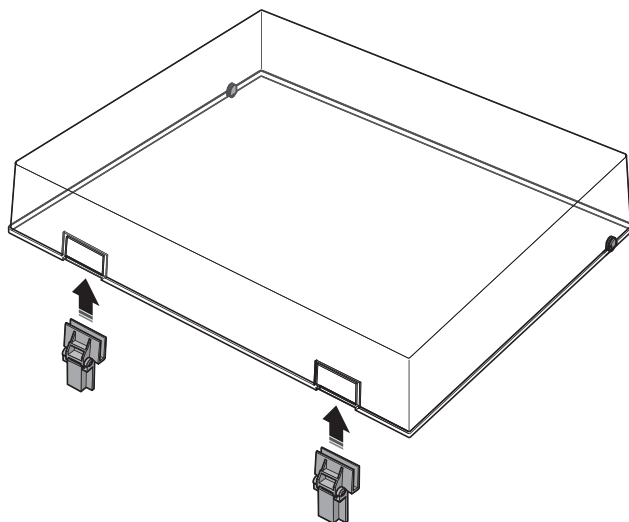
Insérez le porte-cellule sur l'extrémité avant du bras de lecture et tournez la bague de verrouillage pour bloquer le porte-cellule.



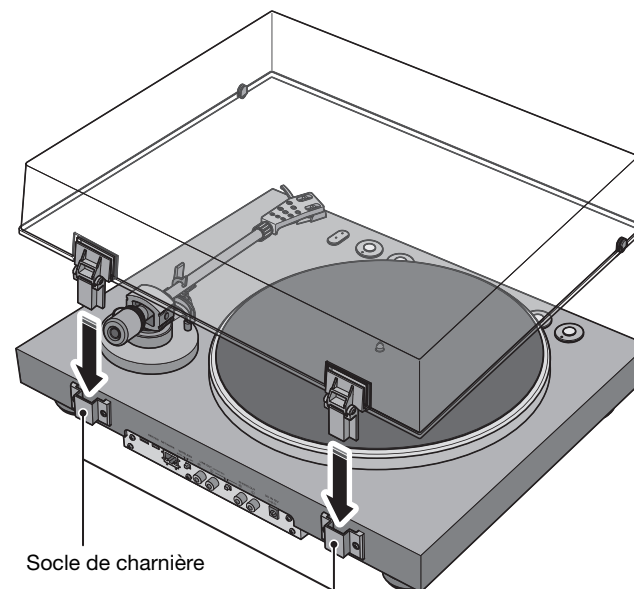
Montage du capot

Le capot protège l'unité contre la poussière, etc.

- 1 Insérez les charnières aux emplacements appropriés des deux côtés du capot.



- 2 Montez le capot en insérant les charnières dans les socles de charnière au dos de l'unité.



NOTE

- ◆ Pour retirer le capot, saisissez-le des deux côtés et tirez-le lentement vers le haut afin de déposer le capot et ses charnières.



ATTENTION

- ◆ Veillez à ne pas vous pincer les mains ou les doigts lorsque vous ouvrez et fermez le capot.

Effectuer les connexions

Connexion à un amplificateur

Effectuez les connexions de la manière illustrée ci-dessous.

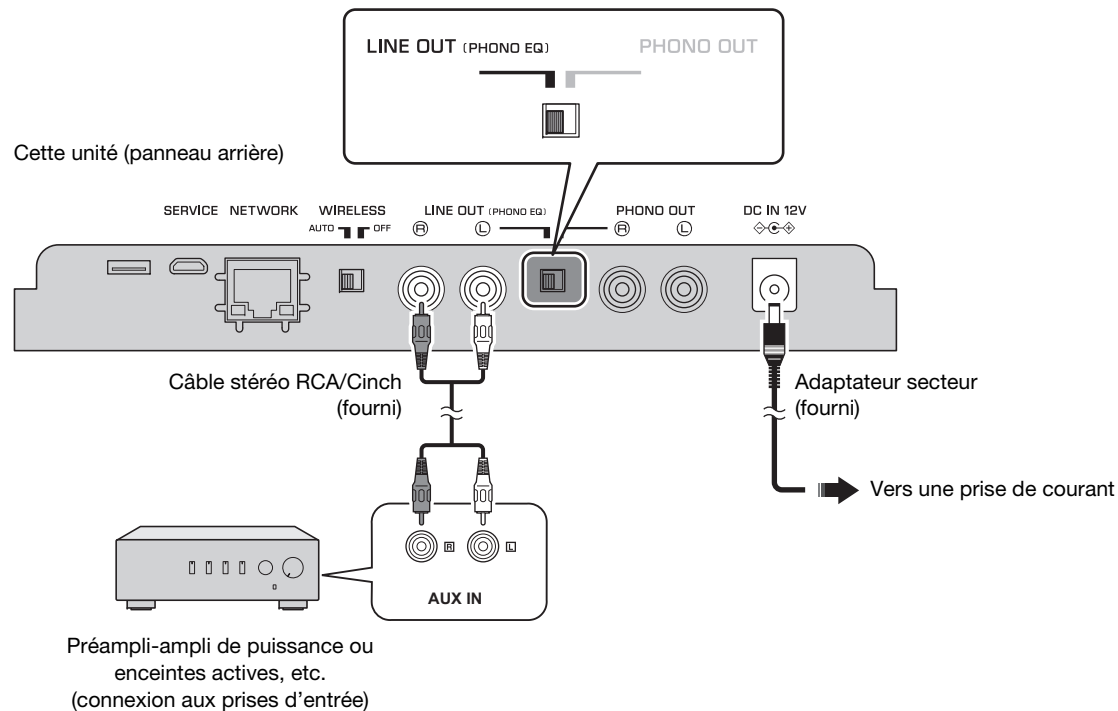


ATTENTION

- ◆ Ne branchez le cordon d'alimentation ni de cette unité ni d'aucun autre appareil au secteur avant que toutes les connexions et le réglage du sélecteur de sortie audio soient effectués.

■ Si vous utilisez les prises LINE OUT de l'unité

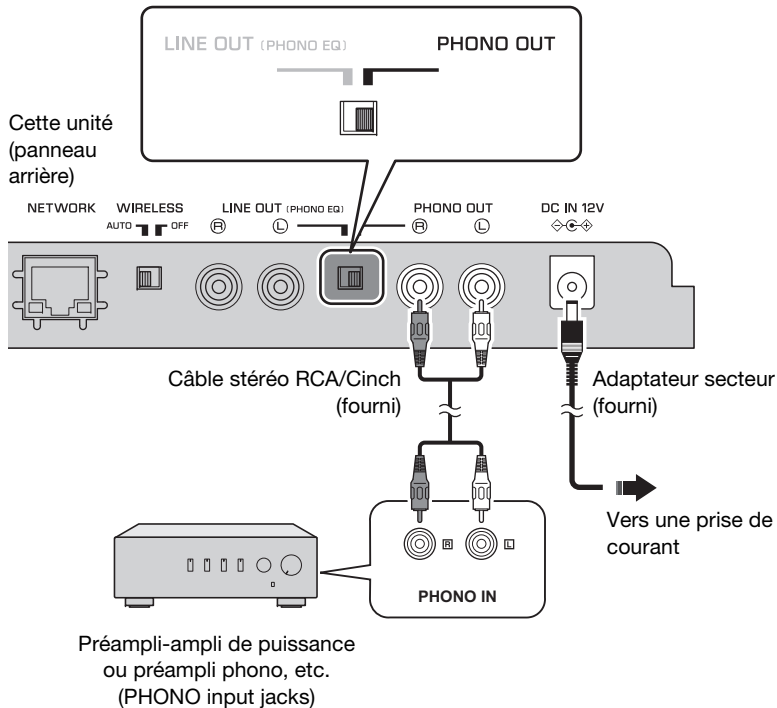
Sources disponibles pour la lecture : Disques vinyle, toutes les sources réseau y compris la radio Internet, Bluetooth



■ Si vous utilisez les prises PHONO OUT de l'unité

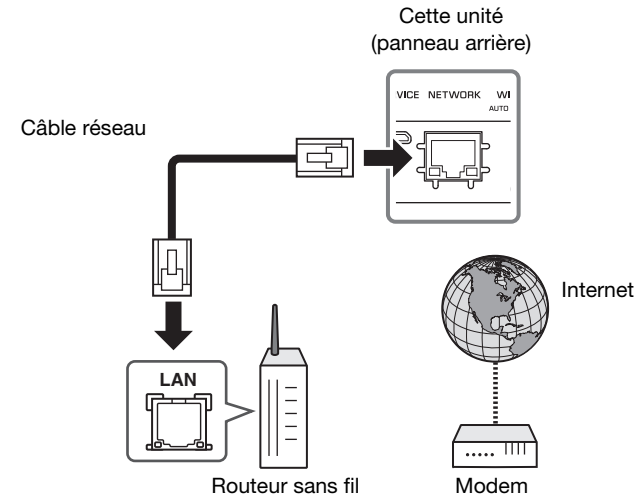
Sources disponibles pour la lecture : Disques vinyle

La fonction réseau de l'unité n'est pas disponible.



Raccordement d'un câble réseau

Pour effectuer une connexion filaire au réseau, raccordez cette unité à votre routeur au moyen d'un câble de réseau STP (câble droit CAT-5 ou supérieur) disponible dans le commerce. Pour établir une connexion sans fil au réseau, voyez « Connexion de l'unité au réseau » (⇒ page 23).



NOTE

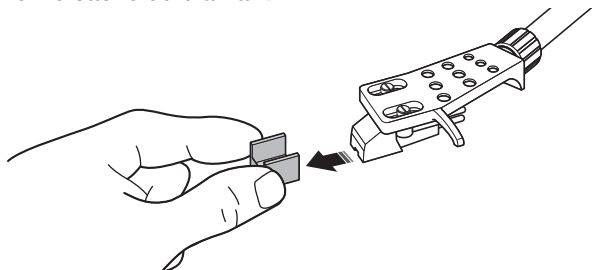
- ◆ Branchez le câble réseau avant de mettre cette unité sous tension.
- ◆ Quel que soit le réglage (AUTO ou OFF) du sélecteur WIRELESS sur le panneau arrière de cette unité, vous pouvez établir une connexion filaire au réseau. (⇒ page 14)
- ◆ Si l'unité est déjà reliée au réseau via une connexion sans fil, activez le mode de veille de l'unité, branchez le câble réseau, placez le sélecteur WIRELESS sur le panneau arrière de l'unité sur la position OFF et enfin mettez l'unité sous tension. (⇒ page 14)

Effectuer les réglages

Réglage de la pression du diamant

Régalez le bras de lecture de sorte que la pression du diamant sur le disque vinyle soit appropriée.

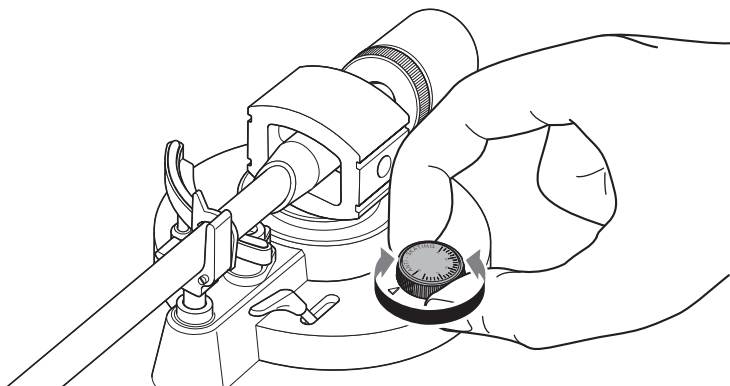
1 Retirez le cache du diamant.



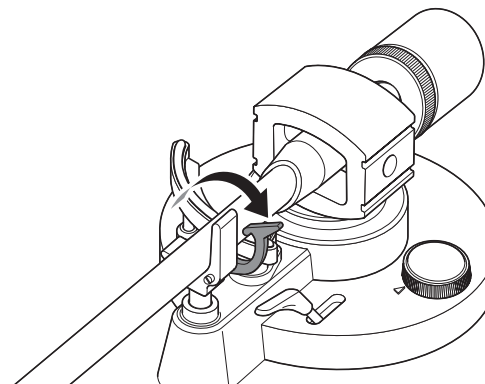
AVIS

- ◆ Veillez à ce que le cache du diamant ou vos doigts n'entrent pas en contact avec le diamant.

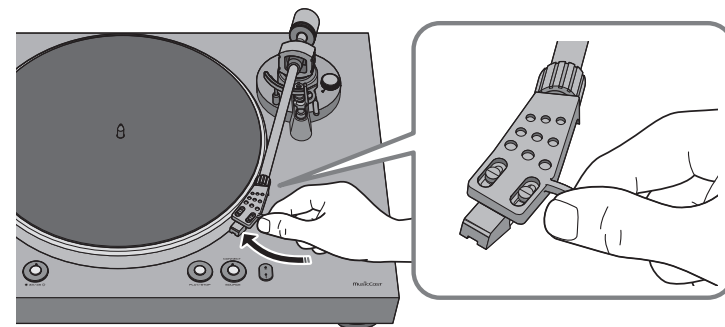
2 Réglez le dispositif d'anti-skating sur la position « 0 ».



3 Désengagez le verrou du bras de lecture.



4 Levez le bras de lecture du repose-bras et poussez le bras légèrement à gauche.



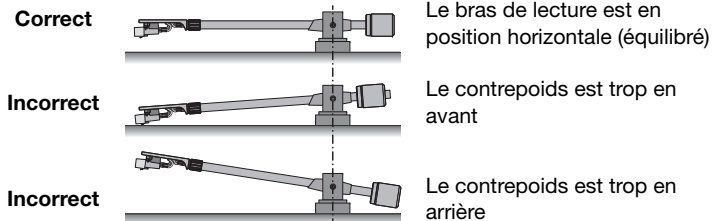
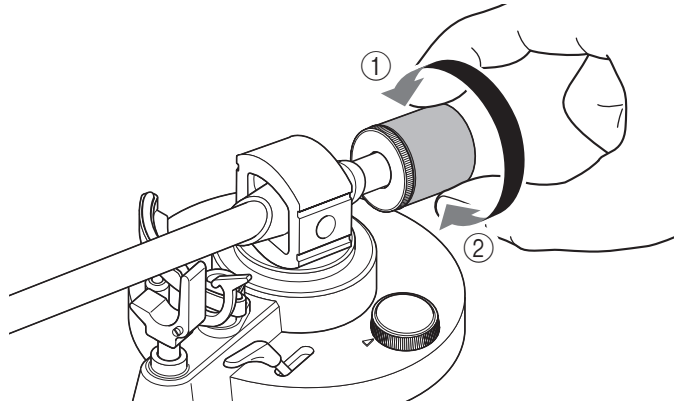
AVIS

- ◆ Veillez à ce que le diamant n'entre en contact avec aucune partie de l'unité.

5 Tournez le contrepois de sorte que le bras de lecture soit en position horizontale.

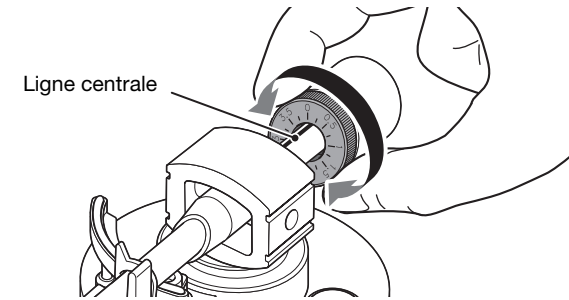
Vers ①: Le contrepois se déplace vers l'avant du bras de lecture.

Vers ②: Le contrepois se déplace vers l'arrière du bras de lecture.



6 Remplacez le bras de lecture sur le repose-bras et engagez son verrou.

7 Tournez la bague graduée du contrepois de sorte que le repère « 0 » soit aligné avec la ligne centrale sur l'extrémité arrière du bras de lecture.

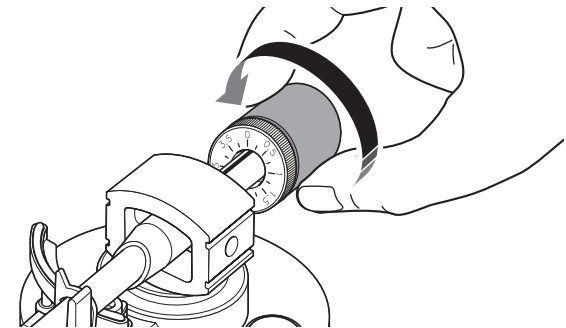


NOTE

- ◆ Quand vous tournez la bague graduée, maintenez le contrepois en place des doigts de sorte qu'il ne tourne pas.

8 Veillez à régler le contrepois sur le repère correspondant à la pression appropriée pour la cellule en place.

La pression spécifiée pour la cellule fournie est de 3,5 g.



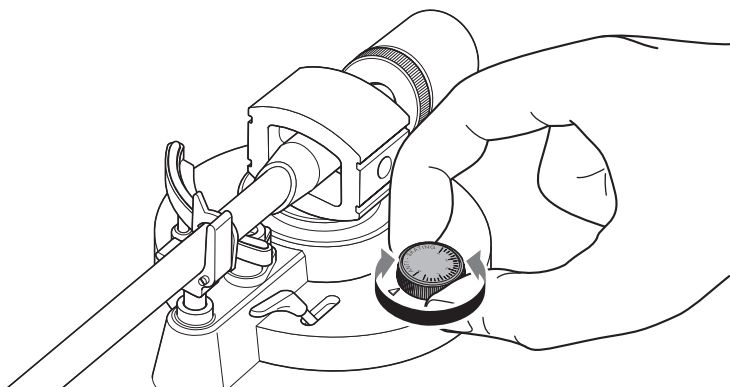
NOTE

- ◆ Le fait de tourner le contrepois entraîne aussi la rotation de la bague graduée du contrepois.

Réglage du dispositif anti-skating

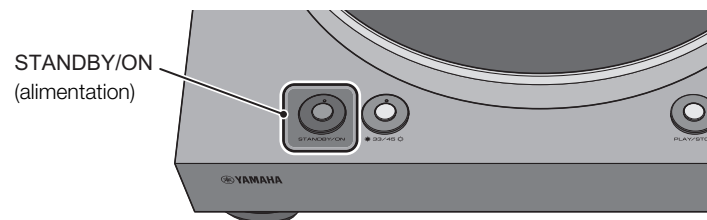
Quand le plateau tourne, la pointe du diamant produit une force qui l'entraîne vers le centre de rotation. Quand la valeur du dispositif d'anti-skating est identique à la valeur de pression du diamant, une force entraînant la pointe du diamant vers l'extérieur du centre de rotation est produite, et les deux forces s'annulent mutuellement.

- 1 Réglez le dispositif anti-skating sur la même valeur que la pression du diamant de la cellule en place.




Mise sous tension

Appuyez sur le bouton STANDBY/ON (alimentation) du panneau supérieur de l'unité pour la mettre sous tension. Appuyez à nouveau sur le bouton STANDBY/ON (alimentation) pour mettre l'unité en veille.



NOTE

- ◆ Quand vous mettez l'unité sous tension pour la première fois après son achat ou son initialisation, le témoin  (LAN sans fil) pourrait clignoter. Si ce témoin clignote, vous pouvez connecter l'unité au réseau sans fil en partageant les réglages de votre appareil iOS. (⇒ page 35)
Pour écouter la musique de diverses sources réseau, connectez-vous à votre réseau avec l'application MusicCast CONTROLLER. (⇒ page 23)

À propos des modes de veille de cette unité

Cette unité dispose de deux modes de veille.

Veille réseau : L'alimentation de l'unité peut être activée depuis un appareil du réseau. (uniquement quand le sélecteur de sortie audio est sur LINE OUT)

Veille éco : Ce mode réduit la consommation électrique en veille.

NOTE

- ◆ Pour passer en veille éco, modifiez le paramètre Standby avec votre navigateur Internet. (⇒ page 33)
- ◆ Pour passer temporairement en veille éco, maintenez le bouton STANDBY/ON (alimentation) enfoncé pendant cinq secondes à la mise sous tension de l'unité. (uniquement quand le sélecteur de sortie audio est sur LINE OUT)

Connexion de l'unité au réseau

Cette section décrit comment enregistrer l'unité avec MusicCast et comment la configurer pour la connexion au réseau.

Même si cette unité est connectée par câble au réseau, l'enregistrement dans MusicCast est requis pour accéder à la lecture de sources réseau.

NOTE

- ◆ Pour lire des sources audio haute résolution via le réseau, nous recommandons l'utilisation d'une connexion filaire pour obtenir une stabilité supérieure de lecture. (⇒ page 19)
- ◆ Votre dispositif mobile doit être déjà connecté au routeur LAN sans fil (point d'accès).

1 Installez l'application MusicCast CONTROLLER sur votre appareil mobile.

Recherchez l'application MusicCast CONTROLLER (gratuite) sur l'App Store ou avec Google Play et installez-la sur votre appareil mobile.

Pour plus de détails sur MusicCast CONTROLLER, visitez le site Internet ci-dessous.

<https://www.yamaha.com/musiccast/>



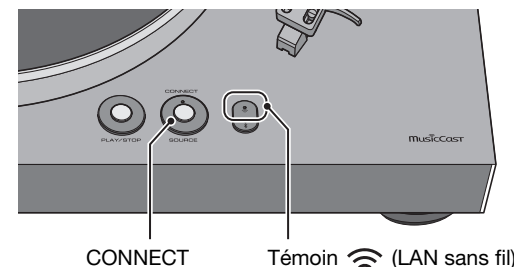
MusicCast CONTROLLER est une application servant à contrôler les appareils compatibles MusicCast. Cela vous permet de partager de la musique entre plusieurs appareils compatibles MusicCast et situés dans des pièces différentes. Vous pouvez ainsi utiliser votre smartphone ou un autre appareil mobile comme télécommande et sélectionner des morceaux et effectuer des réglages en toute facilité sur le dispositif compatible MusicCast.

2 Démarrez l'application MusicCast CONTROLLER sur votre appareil mobile, puis appuyez sur « Configurer ».




3 Effectuez dans MusicCast CONTROLLER les manipulations indiquées sur l'écran de votre appareil mobile, et maintenez le bouton CONNECT sur le panneau supérieur de cette unité enfoncé pendant cinq secondes.

Le témoin  (LAN sans fil) clignote.




4 Suivez les instructions affichées sur l'écran du dispositif mobile pour configurer les paramètres réseau avec l'application MusicCast CONTROLLER.

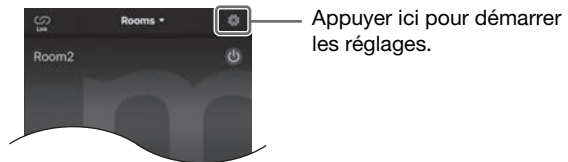
Quand cette unité se connecte au réseau, le témoin  (LAN sans fil) s'allume.

L'unité est alors enregistrée avec MusicCast et les réglages des paramètres réseau sont terminés.

Lisez de la musique avec l'application MusicCast CONTROLLER.

NOTE

- ◆ Pour configurer d'autres périphériques compatibles MusicCast, appuyez sur  (Paramètres) dans le coin supérieur droit de l'écran de MusicCast CONTROLLER, puis sélectionnez « Ajouter un nouvel appareil ».



Lecture

Écouter un disque vinyle

Voyons comment écouter un disque vinyle.

■ Lancement de la lecture

⚠ ATTENTION

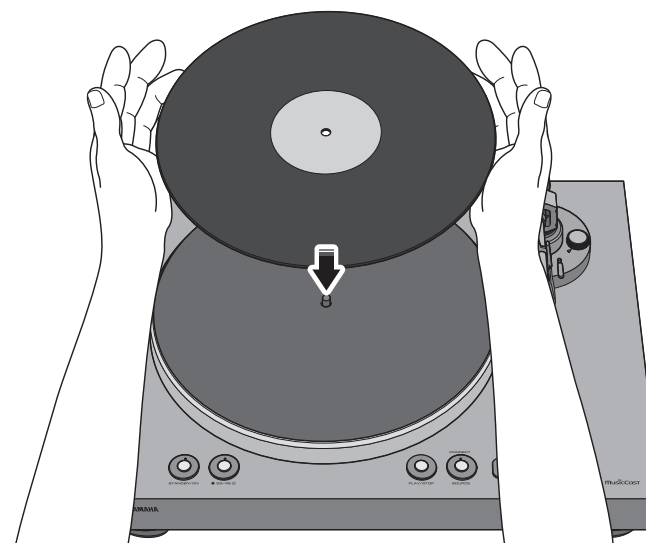
- ◆ Démarrer la lecture d'un disque vinyle sans diminuer suffisamment le volume sur l'amplificateur peut causer un bruit important quand le diamant touche la surface du disque. Cela pourrait provoquer des dommages de l'ouïe et un endommagement de l'amplificateur et des haut-parleurs. Veillez donc à baisser le volume sur l'amplificateur.
- ◆ Si vous lisez un disque vinyle et que le signal est restitué via les prises LINE OUT, le plateau s'arrête de tourner quand vous changez de source et passez de PHONO à réseau ou Bluetooth.

NOTE

- ◆ MusicCast CONTROLLER ne permet pas de lancer/d'arrêter la lecture de disque vinyle ni de changer la vitesse de rotation.

1 Ouvrez le capot et posez un disque vinyle sur le plateau.

Pour lire un disque 45 tours, utilisez l'adaptateur centreur 45 tours livré.



2 Choisissez la vitesse de rotation appropriée pour le disque avec le bouton 33/45 (vitesse).

Chaque pression sur le bouton 33/45 (vitesse) change la vitesse de rotation.

Témoin de vitesse allumé : 33/1/3 tr/min

Témoin de vitesse éteint : 45 tr/min

3 Appuyez sur SOURCE pour sélectionner la source PHONO.

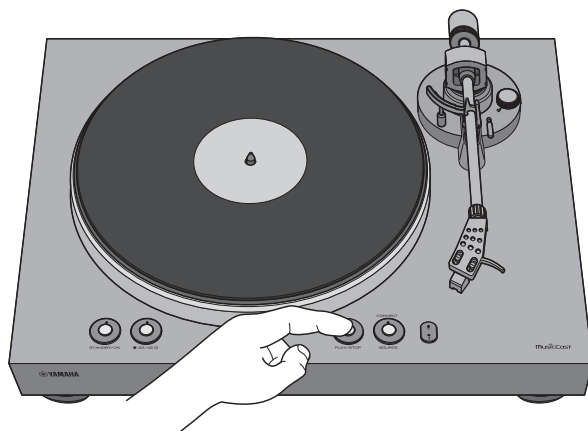
Le témoin SOURCE s'allume en blanc.

NOTE

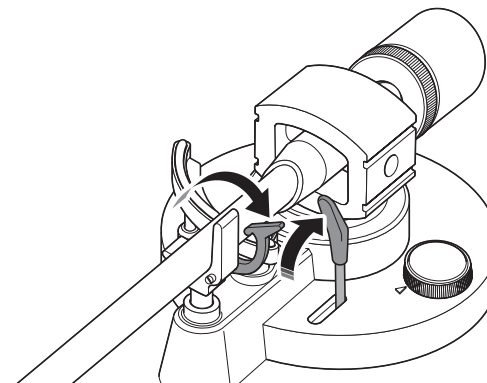
- ◆ Si le sélecteur de sortie audio est sur PHONO OUT, il est inutile de changer de source.

4 Appuyez sur PLAY/STOP (lecture/arrêt).

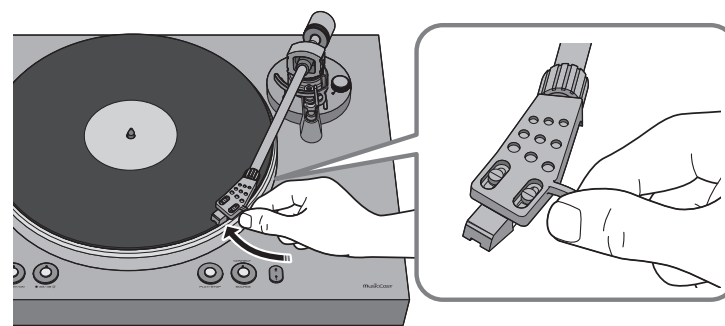
Le plateau se met à tourner.



5 Désengagez le verrou du bras de lecture et relevez le lève-bras.

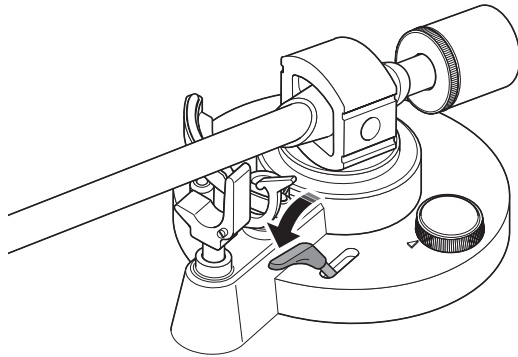


6 Déplacez le bras de lecture jusqu'à l'emplacement du disque vinyle où vous voulez démarrer la lecture.



7 Abaissez le lève-bras.

Le bras de lecture s'abaisse et la lecture du disque vinyle commence.



■ Arrêt momentané de la lecture

Pour arrêter momentanément la lecture du disque vinyle, relevez le lève-bras.

Pour reprendre la lecture, abaissez le lève-bras.

■ Arrêt de la lecture

- 1 Relevez le lève-bras.
- 2 Remplacez le bras de lecture sur le repose-bras.
- 3 Abaissez le lève-bras.
- 4 Appuyez sur PLAY/STOP (lecture/arrêt).
La rotation du plateau s'arrête.
- 5 Engagez le verrou du bras de lecture.

NOTE

- ◆ Le bras de lecture ne se relève pas automatiquement en fin de lecture d'un disque vinyle.
- ◆ Si vous ne comptez pas utiliser l'unité pendant une période prolongée, remettez le cache du diamant en place pour protéger ce dernier.

Écoute de la radio Internet

Voici comment sélectionner une station de radio Internet avec l'application MusicCast CONTROLLER installée sur votre appareil mobile.

NOTE

- ◆ Avant de choisir une station, enregistrez cette unité avec l'application MusicCast. (⇒ page 23)
- ◆ Certaines stations radio Internet pourraient être indisponibles en permanence ou dans certaines plages horaires.
- ◆ Cette fonction utilise le service « airable.Radio ». Ce service est proposé par Tune In GmbH.
- ◆ Ce service peut être modifié ou supprimé sans avis préalable.

- 1 Choisissez la pièce (Room 1, par exemple) dans laquelle cette unité est installée avec MusicCast CONTROLLER.
- 2 Appuyez sur « Net Radio ».
- 3 Choisissez la station de radio Internet que vous voulez écouter.

Écoute de services de diffusion

Voici comment écouter un service de diffusion avec l'application MusicCast CONTROLLER installée sur votre appareil mobile. Pour plus de détails, voyez le complément d'informations sur le ou les services de diffusion disponibles dans votre région. Vous pouvez télécharger le complément d'informations sur le site de téléchargements (Downloads) de Yamaha.
<https://download.yamaha.com/>

NOTE

- ◆ Ce service est uniquement disponible dans certaines régions.
- ◆ Les services pris en charge par l'unité pourraient ne pas être disponibles selon la région où vous avez acheté l'unité.
- ◆ Ces services peuvent être modifiés ou supprimés sans avis préalable.

Lecture de fichiers musicaux stockés sur un serveur multimédia (PC/NAS)

Sur l'unité, vous pouvez lire des fichiers musicaux stockés sur votre PC ou un système de stockage NAS (Network Attached Storage) compatible DLNA.

NOTE

- ◆ Vous pourriez remarquer des coupures de son quand vous utilisez une connexion réseau sans fil. Dans ce cas, utilisez une connexion réseau filaire. (⇒ page 19)
- ◆ Pour des informations sur le format de fichier pouvant être lu avec cette unité, voyez la section « Appareils et formats de fichiers compatibles » (⇒ page 43). Voyez aussi les spécifications du dispositif NAS.

Configuration de partage de support

Pour lire des fichiers musicaux stockés sur PC (ou dispositif NAS) avec cette unité, vous devez activer le partage de support entre cette unité et les autres dispositifs.

■ Dans le cas d'un PC utilisé avec Windows Media Player

La procédure de réglage peut différer selon le PC ou la version de Windows Media Player en question. Les instructions suivantes utilisent Windows Media Player 12 comme exemple.

NOTE

- ◆ La méthode dépend de l'ordinateur et des réglages utilisés. Pour des détails, reportez-vous à la documentation fournie avec votre ordinateur ou à l'aide de Windows Media Player.

- 1 Démarrez Windows Media Player 12 sur votre PC.
- 2 Sélectionnez « Diffuser en continu », puis « Activer la diffusion multimédia en continu ».

- 3 Cliquez sur « Activer la diffusion multimédia en continu ».
- 4 Sélectionnez « Autorisé » dans la liste déroulante à côté du nom de modèle de l'unité.
- 5 Cliquez sur « OK » pour quitter.

■ Dans le cas d'un PC ou un dispositif NAS exploitant un logiciel serveur DLNA autre que Windows Media Player

Reportez-vous au mode d'emploi de l'appareil ou du logiciel et configurez les paramètres de partage de support.

Lecture de fichiers musicaux

Voici comment lire des fichiers musicaux avec l'application MusicCast CONTROLLER installée sur votre appareil mobile.

NOTE

- ◆ Enregistrez l'unité avec l'application MusicCast avant de lire des fichiers musicaux. (⇒ page 23)

- 1 Choisissez la pièce (Room 1, par exemple) dans laquelle cette unité est installée avec MusicCast CONTROLLER.
- 2 Appuyez sur « Serveur ».
- 3 Suivez les instructions affichées à l'écran pour sélectionner un morceau.

Écoute de musique via Bluetooth

Sur l'unité, vous pouvez lire des fichiers de musique stockés sur un dispositif Bluetooth (comme un smartphone).

NOTE


- ◆ Pour pouvoir utiliser la fonction Bluetooth, vous devez régler le sélecteur WIRELESS sur le panneau arrière de cette unité sur la position AUTO. (⇒ page 14)
- ◆ Pour des informations sur les dispositifs Bluetooth pris en charge, voyez « Appareils et formats de fichiers compatibles » (⇒ page 43).

1 Appuyez sur le bouton SOURCE du panneau supérieur de cette unité pour sélectionner la source Bluetooth.

Le témoin SOURCE s'allume en bleu.

2 Activez la fonction Bluetooth sur le dispositif Bluetooth.

3 Sélectionnez cette unité dans la liste des dispositifs disponibles sur le dispositif Bluetooth.

Quand cette unité se connecte à un dispositif Bluetooth, le témoin  (Bluetooth) s'allume.

NOTE

- ◆ Si un message vous demande de saisir un mot de passe, entrez le nombre « 0000 ».
- ◆ Si l'unité est enregistrée comme dispositif MusicCast, le nom de pièce apparaît dans la liste des dispositifs disponibles.

4 Sélectionnez un morceau et lancez la lecture sur le dispositif Bluetooth.

NOTE

- ◆ Si l'unité détecte un appareil Bluetooth ayant déjà été connecté, elle se connecte automatiquement à cet appareil Bluetooth après exécution de l'étape 1. Pour établir une autre connexion Bluetooth, rompez d'abord la connexion Bluetooth actuelle.
- ◆ Pour rompre une connexion Bluetooth, exécutez une des opérations suivantes :
 - Déconnectez le périphérique Bluetooth.
 - Sélectionnez toute option autre que « Bluetooth » comme source pour cette unité.
- ◆ Si vous activez la veille Bluetooth, cette unité se met automatiquement sous tension quand une opération de connexion est exécutée sur le dispositif Bluetooth. (⇒ page 33)

Écoute de musique avec AirPlay

Vous pouvez utiliser la fonction AirPlay pour lire des fichiers musicaux sur iTunes ou d'un appareil iOS via un réseau.

NOTE

- ◆ Si l'appareil iOS ne reconnaît pas l'unité, vérifiez votre environnement de réseau (comme par exemple le routeur).

- 1 Lancez iTunes ou affichez l'écran de lecture de musique sur l'appareil iOS.

Si l'unité est reconnue par iTunes ou l'appareil iOS, l'icône AirPlay s'affiche.

Ex. : (iOS 12)



Ex. : (iTunes)



Sur un appareil iOS, l'icône AirPlay s'affiche sur l'écran de lecture de l'application Musique, ou dans le centre de contrôle.

- 2 Dans iTunes ou sur l'appareil iOS, cliquez (appuyez) sur l'icône AirPlay, puis sélectionnez cette unité comme destination de lecture audio.

- 3 Sélectionnez un morceau dans iTunes ou sur l'appareil iOS pour lancer la lecture.

La source réseau (Airplay) de l'unité est automatiquement activée et la lecture démarre.

Le témoin SOURCE s'allume en rose.

Mémorisation de favoris avec MusicCast CONTROLLER

Vous pouvez enregistrer jusqu'à 40 contenus favoris (des morceaux stockés sur votre PC et des stations de radio Internet).

- 1 Lisez un morceau ou une station radio Internet que vous voulez mémoriser.
- 2 Dans l'écran de lecture, appuyez sur **...** puis sur « Ajouter aux Favoris MusicCast ».



■ Rappel d'un contenu mémorisé

- 1 Choisissez la pièce (Room 1, par exemple) dans laquelle cette unité est installée avec MusicCast CONTROLLER.
- 2 Appuyez sur « Favoris », puis sélectionnez le contenu à lire.



Réglages approfondis

Effectuer des réglages avec MusicCast CONTROLLER

L'application MusicCast CONTROLLER permet de régler les paramètres d'une série de fonctions.

Réglage de la minuterie

Cette fonction met automatiquement cette unité en veille quand la durée spécifiée est écoulée.

Réglages : Désactivé (par défaut), 30 min., 60 min., 90 min., 120 min.

NOTE

- ◆ Le réglage de la minuterie est annulé quand vous effectuez une des opérations suivantes.
 - Vous mettez cette unité en veille.
 - Vous débranchez cette unité de la prise de courant.
 - Vous sélectionnez la source PHONO.
- ◆ La minuterie n'est pas disponible quand la source PHONO est sélectionnée.

Activation/désactivation de la lecture automatique

Cette fonction détermine si les fichiers musicaux sur l'ordinateur (serveur) sont lus automatiquement quand la source Serveur est sélectionnée.

Réglages

Activé (par défaut) : La lecture automatique est activée.
Si l'unité conserve un historique de lecture, le dernier contenu lu est à nouveau reproduit. Si le contenu en question n'existe plus, l'unité ne peut pas le lire.

Désactivé : La lecture automatique est désactivée.

Activation/désactivation de la veille automatique

Cette fonction met automatiquement l'unité en veille quand le délai spécifié s'est écoulé sans aucune opération de lecture ou autre manipulation.

Réglages

Désactivé : La veille automatique est désactivée.

Activé : La veille automatique est activée.

Si aucune opération de lecture n'a été effectuée sur cette unité au cours des 20 dernières minutes, ou qu'aucune manipulation n'a été effectuée au cours des huit dernières heures, l'unité passe automatiquement en veille.

Réglage par défaut

Modèles pour le Royaume-Uni, l'Europe et la Corée : Activé

Autres modèles : Désactivé

NOTE

- ◆ Juste avant le passage en veille, le témoin STANDBY/ON (alimentation) clignote.

Effectuer des réglages avec un navigateur Internet

Vous pouvez utiliser un navigateur Internet sur votre ordinateur ou un autre dispositif pour régler les paramètres de cette unité et de la connexion réseau. Cette section décrit le réglage des paramètres de veille.

Connectez cette unité au réseau avant d'exécuter les opérations suivantes. (⇒ pages 19 et 23)

Affichage de l'écran des paramètres

Voici comment accéder à l'écran des paramètres sur votre ordinateur.

- 1 Recherchez l'adresse IP de cette unité avec l'application MusicCast CONTROLLER.
- 2 Ouvrez un navigateur Internet sur votre ordinateur.
- 3 Dans la barre d'adresse de votre navigateur Internet, saisissez l'adresse IP que vous avez trouvée, puis appuyez sur Entrée.

L'écran des paramètres s'affiche.

NOTE

- ◆ Nous ne garantissons pas que cette méthode fonctionne avec tous les dispositifs ou navigateurs Internet.

■ Paramètre de veille

Veille réseau

Détermine si l'alimentation de cette unité peut être activée depuis un appareil du réseau.

Auto (par défaut) : La veille réseau est activée.

Si cette unité n'est pas connectée à un réseau, la fonction de veille réseau est automatiquement désactivée. (Cette unité passe en veille éco.)

On : La veille réseau est activée. Ce réglage entraîne une consommation électrique supérieure à celle de l'option « Off ».

Off : La veille réseau est désactivée. (Cette unité passe en veille éco.)

Veille Bluetooth

Détermine si l'alimentation de cette unité peut être contrôlée depuis un dispositif Bluetooth. Si ce paramètre est réglé sur « On », cette unité se met automatiquement sous tension quand une opération de connexion est exécutée sur le dispositif Bluetooth.

On (par défaut) : La veille Bluetooth est activée. (Uniquement si le paramètre de veille réseau est sur « Auto » ou sur « On ».)

Off : La veille Bluetooth est désactivée.



Grâce à son design élaboré d'économie d'énergie, cet appareil ne consomme pas plus de 2 watts en mode de veille réseau (Network Standby).



En cas de nécessité

Mise à jour du microprogramme

De nouveaux microprogrammes dotés de fonctions supplémentaires ou d'améliorations du produit sont proposés en cas de nécessité. Vous pouvez mettre à jour le microprogramme avec l'application MusicCast CONTROLLER installée sur votre appareil mobile.

Quand un nouveau microprogramme est disponible, l'écran de l'application MusicCast CONTROLLER affiche le message « Installer la mise à jour du micrologiciel maintenant ? ».

1 Appuyez sur « Oui ».

La mise à jour du microprogramme démarre.


Durant la mise à jour, une barre de progrès s'affiche sur l'écran de l'application MusicCast CONTROLLER et le témoin SOURCE de cette unité clignote en bleu clair.

Quand la mise à jour est correctement effectuée, l'écran de l'application MusicCast CONTROLLER affiche « La mise à jour du micrologiciel est terminée » et le témoin SOURCE de cette unité s'allume en bleu clair.

AVIS

- ◆ **Durant la mise à jour du microprogramme, ne manipulez pas cette unité et ne débranchez pas son adaptateur secteur ni le câble réseau.**

NOTE

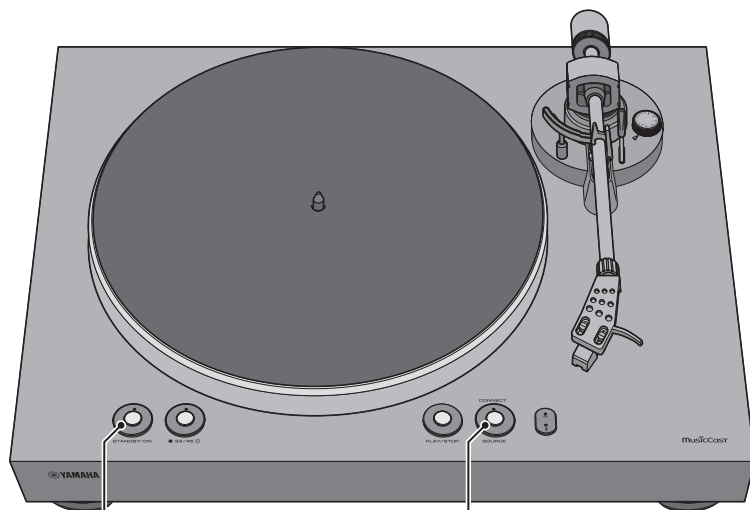
- ◆ **Si vous avez choisi « Plus tard », appuyez sur  (Paramètres) dans l'application MusicCast CONTROLLER et choisissez « Une mise à jour est disponible. ». Effectuez la mise à jour du microprogramme en suivant les consignes à l'écran.**
- ◆ **Quand un nouveau microprogramme est disponible, le témoin SOURCE clignote aussi en orange durant la mise sous tension de cette unité.**
- ◆ **Si vous n'utilisez pas l'application MusicCast CONTROLLER, la mise à jour du microprogramme démarre quand vous maintenez enfoncé PLAY/STOP (lecture/arrêt) et appuyez sur STANDBY/ON (alimentation) quand cette unité est en veille.**
- ◆ **Pour plus de détails sur le microprogramme, visitez le site Internet de Yamaha.**

Initialisation des paramètres

Voici comment initialiser les paramètres de cette unité.

- 1 Appuyez sur **STANDBY/ON (alimentation)** pour mettre cette unité en veille.
- 2 Maintenez **SOURCE** enfoncé en appuyant sur **STANDBY/ON (alimentation)** de l'unité pour la mettre sous tension.


Les paramètres sont alors initialisés.



STANDBY/ON
(alimentation)

SOURCE

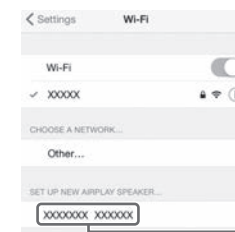
Connexion à un réseau via la fonction WAC

Quand vous mettez l'unité sous tension pour la première fois après son achat ou son initialisation, le témoin  (LAN sans fil) clignote. (À moins que l'unité ne soit déjà connectée au réseau via un câble ou que le sélecteur de sortie audio ne soit sur PHONO OUT) Quand ce témoin clignote, vous pouvez vous connecter au réseau sans fil en partageant les paramètres réseau de votre appareil iOS (fonction WAC).

Pour utiliser cette fonction, effectuez la procédure ci-dessous.

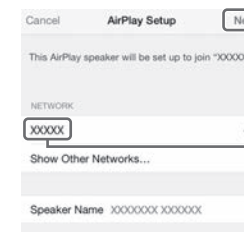
- 1 Sélectionnez cette unité comme haut-parleur AirPlay sur l'écran des paramètres Wi-Fi de votre dispositif iOS.

Ex. : (iOS 12)



Le nom de cette unité

- 2 Vérifiez que le champ « Network » est réglé sur votre réseau habituel, puis appuyez sur « Next ».



Appuyer ici pour démarrer la configuration.

Réseau actuellement sélectionné

Une fois la configuration terminée, l'unité se connecte automatiquement au réseau sélectionné (point d'accès).

Soin et entretien

■ Comment prendre soin de cette unité

Frottez-la avec un chiffon doux et sec. N'utilisez pas de produits chimiques tels que du benzène ou du diluant, car ils pourraient endommager la finition.

■ Entretien de la pointe du diamant

La pointe du diamant est extrêmement délicate. Manipulez-la avec soin pour éviter de l'endommager. Si de la poussière est accrochée à la pointe, éliminez-la avec une brosse à poils doux, en commençant par la base du diamant et en brossant vers la pointe de lecture, ou utilisez un nettoyant spécial pour diamant.

■ Entretien des disques vinyle

La présence de saleté sur un disque vinyle peut provoquer du bruit ou des sauts durant la lecture. Éliminez la saleté sur les disques vinyle avec une brosse disponible dans le commerce.

Remplacement de pièces

Remplacement de la courroie

Selon les conditions d'utilisation, la courroie peut s'user et se rompre. Dans ce cas, remplacez la courroie. Pour obtenir une courroie de remplacement, adressez-vous au revendeur ou SAV agréé Yamaha de votre région.

- 1 **Mettez cette unité et les appareils connectés hors tension, puis débranchez l'adaptateur secteur de cette unité de la prise de courant.**
- 2 **Retirez le couvre-plateau du plateau.**
- 3 **Retirez la courroie de la poulie.**
- 4 **Insérez les doigts dans les orifices du plateau et levez ce dernier.**



ATTENTION

- ◆ **Veillez à ne pas lâcher le plateau. Cela pourrait causer des blessures ou endommager l'unité.**

- 5 **Retournez le plateau et retirez la courroie.**
- 6 **Mettez la nouvelle courroie en place sur le plateau.**
Veillez à ne pas tordre la courroie.
- 7 **Installez le plateau sur l'unité.**
Pour plus de détails, reportez-vous à la section «Montage» à la page 15.

Remplacement du diamant

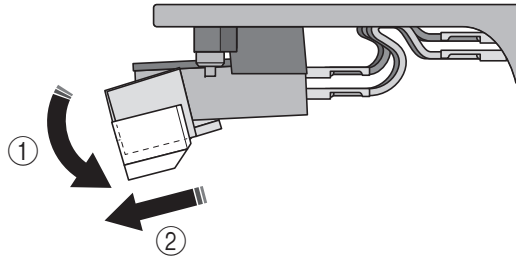
Quand la pointe de lecture du diamant est usée ou endommagée, remplacez immédiatement le diamant.

Procurez-vous comme remplacement une pointe de lecture Audio-Technica ATN3600L.

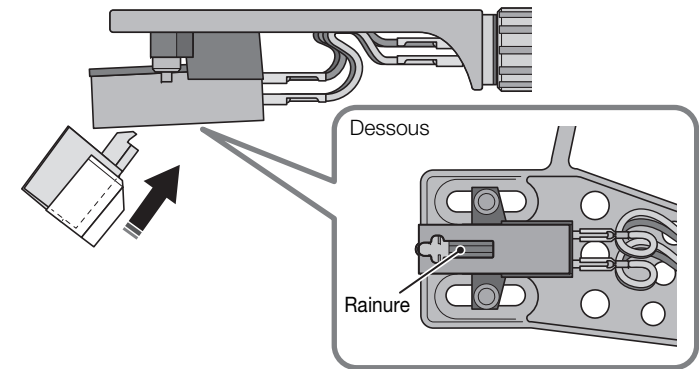
⚠ ATTENTION

- ◆ Mettez en place le cache du diamant avant de changer la pointe de lecture. Sans cela, la pointe de lecture risquerait de causer des blessures ou de subir des dommages.
- ◆ Veillez à conserver le diamant hors de portée des enfants afin d'éviter les risques d'ingestion.

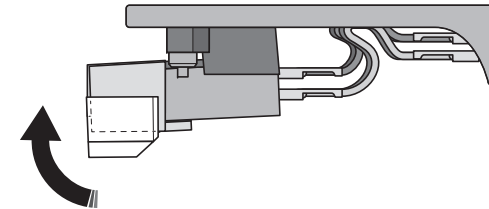
- 1 Mettez cette unité et les appareils connectés hors tension, puis débranchez l'adaptateur secteur de cette unité de la prise de courant.
- 2 Maintenez le corps de la cellule des doigts et poussez le diamant vers le bas ①, puis tirez-le vers vous ② pour le retirer.



- 3 Tout en maintenant toujours le corps de la cellule des doigts, insérez l'onglet du nouveau diamant dans la rainure sur le dessous de la cellule.



- 4 Poussez le diamant vers le haut jusqu'à ce que vous entendiez un déclic.



Déplacement de l'unité

Avant de déplacer l'unité, engagez le verrou du bras de lecture afin d'immobiliser le bras.

Résolution des problèmes

Si l'unité présente des signes de fonctionnement anormal, vérifiez les points suivants.

Si les solutions proposées ne permettent pas de résoudre le problème ou si le problème rencontré n'est pas décrit ci-dessous, appuyez sur le bouton STANDBY/ON (alimentation) situé sur le panneau supérieur de l'unité pour la mettre hors tension, débranchez l'adaptateur secteur et prenez contact avec un revendeur ou SAV agréé Yamaha dans votre région.

Généralités

Anomalies	Causes possibles	Solution	Page
Une pression sur STANDBY/ON (alimentation) ne permet pas de mettre l'unité sous tension.	L'adaptateur secteur est débranché de la prise DC IN de cette unité ou de la prise de courant, ou n'est pas fermement connecté.	Raccordez fermement l'adaptateur secteur à la prise DC IN de cette unité et à la prise de courant.	18
Quand vous appuyez sur STANDBY/ON (alimentation), le témoin STANDBY/ON (alimentation) clignote et l'unité ne se met pas sous tension.	Le circuit de protection a été activé à trois reprises consécutives.	Il n'est alors plus possible de mettre l'unité sous tension, cela afin de la protéger. Adressez-vous à un SAV agréé Yamaha pour faire réparer l'unité.	—
Une pression sur SOURCE ne permet pas de changer de source.	Le sélecteur de sortie audio est sur PHONO OUT.	Réglez le sélecteur de sortie audio sur LINE OUT.	14
Le plateau ne tourne pas.	La courroie n'est pas ajustée correctement sur le plateau et la poulie, ou est détachée.	Ajustez correctement la courroie sur le plateau et la poulie.	15
	L'unité n'est pas sous tension (STANDBY/ON).	Appuyez sur STANDBY/ON (alimentation) pour mettre l'unité sous tension.	22
Aucun son.	Le porte-cellule n'est pas fixé correctement sur le bras de lecture.	Montez correctement le porte-cellule sur le bras de lecture.	16
	Le câble stéréo RCA/Cinch n'est pas raccordé correctement.	Raccordez correctement le câble stéréo RCA/Cinch.	18
	La fonction de sourdine de l'amplificateur est active.	Désactivez la fonction de sourdine de l'amplificateur.	—
	Le réglage du sélecteur de sortie audio de l'unité est incorrect.	Réglez correctement le sélecteur de sortie audio en fonction de l'appareil connecté.	18

Anomalies	Causes possibles	Solution	Page
Le volume est trop faible ou trop élevé.	Le réglage de cellule de l'amplificateur ou du préampli phono est incorrect.	Effectuez correctement le réglage de cellule de l'amplificateur ou du préampli phono en fonction du type de cellule utilisée (MM ou MC).	—
	Le réglage du sélecteur de sortie audio est incorrect.	Réglez correctement le sélecteur de sortie audio en fonction de l'appareil connecté.	18
Le rendu de l'image stéréo est anormal.	L'unité n'est pas de niveau.	Placez l'unité sur une surface de niveau.	—
La vitesse de lecture est incorrecte.	Le réglage de vitesse est incorrect.	Réglez correctement la vitesse en fonction du disque vinyle avec le bouton 33/45 (vitesse). Cette unité ne permet pas de lire des disques 78 tours.	12
Le son comporte un bourdonnement.	Le câble stéréo RCA/Cinch n'est pas raccordé correctement.	Raccordez correctement le câble stéréo RCA/Cinch.	18
	Le porte-cellule n'est pas enfoncé à fond sur le bras de lecture.	Serrez la bague de verrouillage pour bloquer le porte-cellule sur le bras de lecture.	16
Le disque vinyle saute. Le son comporte du bruit. Le son comporte de la distorsion.	Le réglage de pression du diamant est incorrect.	Réglez le contrepoids sur le repère correspondant à la pression appropriée pour la cellule en place.	20
	Le disque vinyle est rayé ou déformé.	N'utilisez pas de disques rayés ni déformés.	—
	Le disque vinyle est sale.	Nettoyez le disque vinyle avec une brosse disponible dans le commerce.	—
	Le disque vinyle est chargé d'électricité statique.	Utilisez une brosse antistatique pour éliminer la charge statique du disque vinyle.	—
	Le diamant est sale.	Nettoyez le diamant.	36
	Le diamant est usé.	Remplacez le diamant.	37
	L'unité se trouve dans un endroit soumis à des vibrations.	Placez l'unité à un endroit de niveau et à l'écart de sources de vibrations.	—
Le son comporte de la réinjection (Larsen).	L'unité est placée trop près des haut-parleurs.	Éloignez l'unité des hauts-parleurs.	—
	Le volume de lecture est trop élevé.	Réglez le volume sur l'amplificateur.	—

Bluetooth

Anomalies	Causes possibles	Solution	Page
Impossible de jumeler l'unité avec le dispositif Bluetooth.	Le sélecteur WIRELESS sur le panneau arrière de l'unité est sur la position OFF.	Réglez le sélecteur WIRELESS sur le panneau arrière de l'unité sur la position AUTO.	14
	Le sélecteur de sortie audio de l'unité est sur la position PHONO OUT.	Réglez le sélecteur de sortie audio de l'unité sur la position LINE OUT.	14
	Un autre appareil Bluetooth est déjà connecté à l'unité.	Déconnectez le dispositif Bluetooth actuellement jumelé et jumelez ensuite l'unité avec le dispositif Bluetooth voulu.	30
	L'unité et les dispositifs Bluetooth sont trop éloignés l'un de l'autre.	Rapprochez le dispositif Bluetooth de l'unité.	—
	La communication sans fil est perturbée par des interférences générées par un appareil utilisant la bande de fréquence radio de 2,4 GHz (un four micro-ondes ou un dispositif LAN sans fil, par exemple).	Éloignez cette unité ou votre appareil Bluetooth de tels appareils. Si votre routeur LAN sans fil prend en charge la bande de fréquence de 5 GHz, adoptez une connexion utilisant la bande de 5 GHz.	—
	Votre dispositif Bluetooth ne prend pas en charge le protocole A2DP.	Utilisez un dispositif Bluetooth prenant en charge le protocole A2DP.	—
	Il se peut que le profil de connexion enregistré sur le dispositif Bluetooth ne fonctionne pas pour une raison inconnue.	Effacez le profil Bluetooth sur le dispositif Bluetooth, puis établissez à nouveau la connexion entre le dispositif Bluetooth et cette unité.	—
	Le code d'accès des dispositifs, notamment d'un adaptateur Bluetooth que vous souhaitez jumeler avec l'unité, diffère de « 0000 ».	Utilisez un dispositif de connexion dont le code est « 0000 ».	—
	Le volume du dispositif Bluetooth est trop bas.	Augmentez le volume du dispositif Bluetooth.	—
	Aucun son n'est audible, ou le son comporte des coupures intermittentes.	Les réglages du dispositif Bluetooth ne permettent pas le transfert de signaux audio à cette unité.	Sélectionnez cette unité comme destination de lecture audio sur le dispositif Bluetooth.
La connexion Bluetooth a été rompue.		Procédez à une nouvelle connexion Bluetooth.	30
L'unité et les dispositifs Bluetooth sont trop éloignés l'un de l'autre.		Rapprochez le dispositif Bluetooth de l'unité.	—
La communication sans fil est perturbée par des interférences générées par un appareil utilisant la bande de fréquence radio de 2,4 GHz (un four micro-ondes ou un dispositif LAN sans fil, par exemple).		Éloignez cette unité ou votre appareil Bluetooth de tels appareils. Si votre routeur LAN sans fil prend en charge la bande de fréquence de 5 GHz, adoptez une connexion utilisant la bande de 5 GHz.	—

Réseau

Anomalies	Causes possibles	Solution	Page
Impossible d'utiliser la fonction de réseau.	Les paramètres réseau (adresse IP) n'ont pas été obtenus correctement.	Activez la fonction de serveur DHCP de votre routeur.	—
	Le sélecteur de sortie audio de l'unité est sur la position PHONO OUT.	Réglez le sélecteur de sortie audio de l'unité sur la position LINE OUT.	14
	Le sélecteur WIRELESS sur le panneau arrière de l'unité est sur la position OFF.	Réglez le sélecteur WIRELESS sur le panneau arrière de l'unité sur la position AUTO.	14
	Vous tentez de vous connecter à un routeur de type IPv6.	Cette unité ne prend pas en charge les réseaux IPv6. Connectez l'unité à un réseau IPv4.	—
L'appareil ne peut pas se connecter à Internet via un routeur LAN sans fil (point d'accès).	Le routeur LAN sans fil (point d'accès) est hors tension.	Mettez le routeur LAN sans fil (point d'accès) sous tension.	—
	L'unité et le routeur LAN sans fil (point d'accès) sont trop éloignés l'un de l'autre.	Rapprochez l'unité et le routeur LAN sans fil (point d'accès).	—
	Un obstacle est présent entre l'unité et le routeur LAN sans fil (point d'accès).	Retirez l'obstacle entre cette unité et votre routeur LAN sans fil (point d'accès).	—
Impossible d'utiliser le réseau sans fil.	Un appareil émettant des ondes électromagnétiques (tel qu'un four à micro-ondes, un dispositif sans fil, etc.) est peut-être situé à proximité de l'unité.	Si l'unité est connectée sans fil, ne l'utilisez pas à proximité d'appareils émettant des ondes électromagnétiques.	—
	L'accès au réseau est limité par les paramètres de pare-feu du routeur LAN sans fil (point d'accès).	Vérifiez les paramètres de pare-feu du routeur LAN sans fil (point d'accès).	—
Impossible de détecter l'ordinateur (serveur).	Les réglages de partage de support du PC (ou serveur) sont peut-être incorrects.	Modifiez les paramètres de partage de support de sorte que l'unité puisse accéder aux dossiers du PC (ou du serveur).	—
	L'accès est limité en raison des réglages de sécurité du PC (ou serveur) ou du routeur.	Vérifiez les réglages de sécurité sur le PC (ou serveur) ou le routeur.	—
	L'unité et le PC ne sont pas connectés au même réseau.	Vérifiez les réglages de connexion du réseau et du routeur pour vous assurer que les deux appareils sont connectés au même réseau.	—
Les fichiers sur le PC (ou serveur) ne sont pas affichés (ni lus).	Le format de fichier n'est pas pris en charge par l'appareil ou le PC (ou le serveur).	Veillez à utiliser un format de fichier pris en charge par l'appareil et le PC.	43

Anomalies	Causes possibles	Solution	Page
Impossible d'écouter la radio Internet.	La station radio Internet sélectionnée n'émet plus actuellement.	Il se peut qu'un problème de réseau soit survenu au niveau de la station radio ou que le service de diffusion ait été interrompu. Réessayez ultérieurement de lire la station ou sélectionnez une autre station.	—
	La station radio sélectionnée diffuse un silence audio.	Certaines stations radio Internet n'émettent pas à certaines heures de la journée. Dans ce cas, la réception fonctionne correctement, mais aucun son n'est produit. Réessayez ultérieurement de lire la station ou sélectionnez une autre station.	—
	L'accès au réseau est limité par les paramètres de pare-feu de vos périphériques réseau (comme le routeur).	Vérifiez les paramètres de pare-feu de vos périphériques. La station radio Internet est uniquement lisible via le port désigné par chaque station de radio. Le numéro de port varie en fonction de la station de radio.	—
L'appareil iOS ne détecte pas l'unité quand vous utilisez AirPlay.	Vous utilisez peut-être un routeur prenant en charge plusieurs SSID.	La fonction de séparation de réseau du routeur bloque peut-être l'accès à l'unité. Si vous connectez un appareil iOS à l'unité, utilisez un SSID permettant l'accès à l'unité. (Essayez de vous connecter au SSID primaire.)	—
L'unité n'est pas détectée quand vous utilisez une application dédiée sur un dispositif mobile.	L'appareil et le périphérique mobile ne se trouvent pas sur le même réseau.	Vérifiez les réglages de connexion du réseau et du routeur pour vous assurer que les deux appareils sont connectés au même réseau.	—
	Vous utilisez peut-être un routeur prenant en charge plusieurs SSID.	La fonction de séparation de réseau du routeur bloque peut-être l'accès à l'unité. Si vous connectez un appareil iOS à l'unité, utilisez un SSID permettant l'accès à l'unité. (Essayez de vous connecter au SSID primaire.)	—
Échec de mise à jour du microprogramme de cette unité.	Il se peut que la connexion réseau ne soit pas optimale.	Essayez d'effectuer une nouvelle mise à jour après un certain temps.	34
L'unité ne peut pas se connecter au routeur LAN sans fil (point d'accès).	Le filtre d'adresse MAC est peut-être activé sur le routeur LAN sans fil (point d'accès).	L'unité ne peut pas se connecter au routeur si le filtre d'adresse MAC est activé. Changez le réglage du routeur LAN sans fil (point d'accès) et essayez à nouveau de connecter l'unité.	—

Appareils et formats de fichiers compatibles

Les dispositifs et formats de fichier suivants sont compatibles avec l'unité.

Appareils compatibles

■ Dispositifs Bluetooth

- ♦ Vous pouvez utiliser un dispositif Bluetooth prenant en charge le protocole A2DP.
- ♦ Yamaha ne garantit pas la connexion de tous les périphériques Bluetooth.

■ AirPlay

Cet Platine Vinyle Connectée est compatible avec AirPlay 2. iOS 11.4 ou une version ultérieure est nécessaire.

Formats de fichier

■ PC/NAS

Fichier	Fréquence d'échantillonnage (kHz)	Résolution de bit (bit)	Débit binaire (kbps)	Nombre de canaux	Support de lecture sans interruption
WAV *	32/44,1/48/ 88,2/96/ 176,4/192	16/24	-	2	✓
MP3	32/44,1/48	-	8-320	2	-
WMA	32/44,1/48	-	8-320	2	-
MPEG-4 AAC	32/44,1/48	-	8-320	2	-
FLAC	32/44,1/48/ 88,2/96/ 176,4/192	16/24	-	2	✓
ALAC	32/44,1/48/ 88,2/96	16/24	-	2	✓
AIFF	32/44,1/48/ 88,2/96/ 176,4/192	16/24	-	2	✓
DSD	2,8 MHz/ 5,6 MHz 11,2 MHz	1	-	2	-

* Format PCM linéaire uniquement

- ♦ Pour lire les fichiers FLAC stockés sur votre PC/NAS, vous devez installer un logiciel serveur qui prend en charge le partage des fichiers FLAC via DLNA sur votre PC ou utiliser un dispositif NAS prenant en charge les fichiers FLAC.
Pour plus d'informations, voyez le mode d'emploi du logiciel de serveur.
- ♦ Les contenus Digital Rights Management (DRM) encodés ne peuvent pas être lus.

Marques commerciales



L'utilisation du logo Works with Apple signifie qu'un accessoire a été conçu pour fonctionner spécifiquement avec la technologie identifiée dans le logo et a été certifié par le développeur comme répondant aux normes de performances d'Apple.

Apple, AirPlay, Apple TV, Apple Watch, iPad, iPad Air, iPad Pro, iPhone, Lightning, iTunes sont des marques d'Apple Inc., déposées aux États-Unis et dans d'autres pays.

App StoreSM

App Store est une marque de service de Apple Inc.

WindowsTM

Windows est une marque déposée de Microsoft Corporation aux États-Unis et dans les autres pays.

Internet Explorer, Windows Media Audio et Windows Media Player sont des marques commerciales ou des marques déposées de Microsoft Corporation aux États-Unis et/ou dans d'autres pays.

AndroidTM Google PlayTM

Android et Google Play sont des marques commerciales de Google LLC.



Le logo Wi-Fi CERTIFIEDTM est une marque de certification de la Wi-Fi Alliance[®].

Wi-Fi, Wi-Fi CERTIFIED et Wi-Fi Protected Setup sont des marques déposées ou des marques commerciales de Wi-Fi Alliance[®].



La marque du mot Bluetooth[®] ainsi que les logos sont des marques déposées appartenant à Bluetooth SIG, Inc., utilisées sous licence par Yamaha Corporation.

Les autres marques et appellations commerciales appartiennent à leurs détenteurs respectifs.



Le label écologique Yamaha est une marque certifiant les produits de haute performance environnementale.



MusicCast est une marque commerciale ou une marque déposée de Yamaha Corporation.

Marques commerciales Explications de GPL/LGPL

Ce produit intègre le logiciel de source libre GPL/LGPL dans certaines sections. Vous détenez le droit d'obtenir, de copier, de modifier ou de redistribuer uniquement ce code source libre. Pour plus d'informations sur les logiciels de source libre GPL/LGPL, la manière de les obtenir et la licence GPL/LGPL, reportez-vous au site Web de Yamaha Corporation:
<https://download.yamaha.com/sourcecodes/musiccast/>

Licences

Pour des informations sur les licences des logiciels tiers dans ce produit, reportez-vous à ce qui suit.
[http://\(adresse IP de ce produit*\)/licenses.html](http://(adresse IP de ce produit*)/licenses.html)
* L'adresse IP de ce produit est vérifiée avec MusicCast CONTROLLER.

Caractéristiques techniques

Voici les caractéristiques techniques de cette unité.

Section du plateau

Méthode d'entraînement	À courroie
Moteur	Moteur électrique
Vitesse de rotation	33 1/3 tr/min, 45 tr/min
Variation de vitesse de rotation	±2%
Pleurage et scintillement	0,2%
Plateau	En aluminium moulé Diamètre 30 cm

Section du bras de lecture

Type	Bras de lecture droit à équilibre statique
Longueur effective du bras	223,5 mm
Plage de réglage de la pression du diamant	0–4 g
Poids admissible de la cellule	15,5–19 g (y compris le porte-cellule)
Avancée	19 mm

Section de la cellule

Type	MM
Tension de sortie	2,5 mV (1 kHz, 3,54 cm/sec)
Force d'appui du diamant	3,5 ±0,5 g
Poids de la cellule	5,0 ±0,3 g
Hauteur de la cellule	17,0 ±0,7 mm
Poids du porte-cellule	10 g (y compris les vis, écrous et fils)

Prises d'entrée/de sortie

Audio analogique (RCA/Cinch asymétrique)
PHONO OUT×1
LINE OUT×1
NETWORK (filaire) × 1 (100Base-TX/10Base-T)

Bluetooth

Fonction Sink	
Appareil source vers cette unité (ex. : smartphone/tablette)	
Codec pris en charge	SBC, AAC
Profil pris en charge	A2DP, AVRCP
Version Bluetooth	Ver. 4.2
Sortie sans fil	Bluetooth Catégorie 2
Distance maximale de communication	10 m sans interférences

Réseau

AirPlay pris en charge
Radio Internet

Réseau sans fil

Normes de réseau sans fil	IEEE 802.11 a/b/g/n/ac*
	* bande passante de canal de 20 MHz uniquement
Bande de fréquence radio	2,4 GHz, 5 GHz
WPS (Wi-Fi Protected Setup)	
Méthode d'identification PIN	
Méthode de sécurité disponible	
WEP	
WPA2-PSK (AES)	
Mode mixte	

Section audio (Réseau, Bluetooth)

Niveau de sortie (1 kHz, 0 dB, Fs 44,1 kHz)	2,0 ±0,3 V
Rapport signal/bruit (réseau IHF-A) (zéro infini, Fs 44,1 kHz)	
.	110 dB ou plus
Plage dynamique (1 kHz, -60 dB, Fs 44,1 kHz)	100 dB ou plus
Distorsion harmonique (1 kHz, 0 dB, Fs 44,1 kHz)	0,003% ou moins
Réponse en fréquence	
Fs 44,1 kHz	2 Hz–20 kHz (+0/-3 dB)
Fs 48 kHz	2 Hz–24 kHz (+0/-3 dB)
Fs 96 kHz	2 Hz–48 kHz (+0/-3 dB)
Fs 192 kHz	2 Hz–96 kHz (+0/-6 dB)

Section audio (PHONO)

Niveau de sortie	
PHONO OUT (1 kHz, 3,54 cm/sec)	2,5 mV ±3 dBV
LINE OUT.	450 mV (-7 dBV)
Rapport signal/bruit (pondéré A, 20 kHz LPF)	67 dB ou plus

Généralités

Alimentation de l'adaptateur secteur	
Entrée	CA 100-240 V 50/60 Hz
Sortie	12 V 1 A
Consommation	6 W
Veille éco	0,3 W
Veille du réseau activée / veille Bluetooth désactivée	
Câblé	2,0 W
Sans fil (Wi-Fi)	2,0 W
Veille du réseau activée / veille Bluetooth activée	
Câblé	2,0 W
Sans fil (Wi-Fi)	2,0 W
Poids	5,7 kg
Dimensions (largeur × hauteur × profondeur)	450 × 136 × 368 mm
	(incluant pieds et saillies)

- ♦ Le contenu de ce mode d'emploi s'applique aux dernières caractéristiques techniques connues à la date de publication du manuel. Pour obtenir la version la plus récente du manuel, accédez au site Web de Yamaha puis téléchargez le fichier du manuel concerné.

Este producto es de uso doméstico y está diseñado para disfrutar escuchando audio en casa.

PRECAUCIONES

ANTES DE USAR EL PRODUCTO, ASEGÚRESE ES IMPORTANTE SEGUIR ESTAS INSTRUCCIONES.

La finalidad de las precauciones siguientes es evitar lesiones al usuario y otras personas y daños materiales. Además, ayudarán al usuario a utilizar esta unidad de forma correcta y segura. Es importante seguir estas instrucciones.

Después de leer este manual, es importante guardarlo en un lugar seguro donde pueda consultarlo en cualquier momento.

- Asegúrese de solicitar las inspecciones o reparaciones al distribuidor a quien compró la unidad o al Servicio técnico de Yamaha.
- Yamaha no se hace responsable de sus lesiones o los daños a sus productos debidos a uso inapropiado o modificaciones de la unidad.
- Este producto es para hogares corrientes. No lo utilice para aplicaciones que requieran un alto nivel de fiabilidad, tales como la gestión de vidas humanas, atención sanitaria o activos de valor elevado.



ADVERTENCIA

Este contenido está relacionado con “riesgo de lesiones graves o muerte”:

Alimentación/adaptador de CA

- No realice ninguna acción que pueda dañar el cable de alimentación.
 - No lo coloque cerca de una estufa.
 - No lo doble excesivamente ni lo modifique.
 - No lo raye.
 - No lo coloque bajo ningún objeto pesado.Usar el cable de alimentación con el cable pelado puede provocar una descarga eléctrica o un incendio.
- No toque el enchufe ni el cable de alimentación durante una tormenta eléctrica. De no seguirse estas instrucciones, existe riesgo de descargas eléctricas.
- Use esta unidad con la tensión de alimentación que está impresa en ella. Si no se conecta a una toma de corriente de CA apropiada, existe riesgo de incendio, descargas eléctricas o averías.
- Asegúrese de utilizar el adaptador de CA suministrado. De no seguirse estas instrucciones, existe riesgo de incendio, quemaduras o averías.

- Compruebe periódicamente el enchufe y quite la suciedad o el polvo que pudiera haberse acumulado en él. De no seguirse estas instrucciones, existe riesgo de incendio o descargas eléctricas.
- Cuando instale la unidad, asegúrese de que se puede acceder fácilmente a la toma de CA que utilice. Si se produjera algún problema o funcionamiento defectuoso, apague el interruptor de alimentación y desconecte el enchufe de la toma de CA. Incluso cuando el interruptor de alimentación esté apagado, si el cable de alimentación no está desenchufado de la toma de CA de la pared, la unidad no se desconectará de la alimentación.
- Si escucha algún trueno o sospecha que se aproxima una tormenta eléctrica, apague inmediatamente el interruptor de alimentación y desconecte el enchufe de alimentación de la toma de corriente de CA. De no seguirse estas instrucciones, existe riesgo de incendio o averías.
- Si no va a utilizar la unidad durante un período prolongado, asegúrese de desconectar el enchufe de alimentación de la toma de corriente de CA. De no seguirse estas instrucciones, existe riesgo de incendio o averías.

No desmonte la unidad

- No desmonte ni modifique nunca esta unidad. De no seguirse estas instrucciones, existe riesgo de incendio, descargas eléctricas, lesiones o averías. Si observa cualquier irregularidad, asegúrese de solicitar una inspección o reparación al distribuidor a quien compró la unidad o al Servicio técnico de Yamaha.

Advertencia sobre el agua

- No exponga la unidad a la lluvia, ni la use cerca del agua o en lugares donde haya mucha humedad o donde pueda gotear agua, ni le ponga encima recipientes (como jarrones, botellas o vasos) que contengan líquido, ya que puede derramarse y penetrar en el interior del aparato. Si cualquier líquido, como el agua, penetra en la unidad, existe riesgo de incendio, descargas eléctricas o averías. Si entra en el dispositivo cualquier líquido, por ejemplo agua, apague inmediatamente la alimentación y desenchufe el cable de alimentación de la toma de CA. A continuación, solicite una inspección al distribuidor a quien compró la unidad o al Servicio técnico de Yamaha.
- Nunca enchufe o desenchufe un cable eléctrico con las manos mojadas. No manipule esta unidad con las manos húmedas. De no seguirse estas instrucciones, existe riesgo de descargas eléctricas o averías.

Advertencia sobre el contacto con fuego

- No coloque objetos ardientes ni llamas abiertas cerca de la unidad, ya que existe riesgo de incendio.

Unidad inalámbrica

- No utilice esta unidad cerca de dispositivos médicos ni dentro de instalaciones sanitarias. Las ondas de radiofrecuencia de esta unidad pueden afectar a los dispositivos de electromedicina.
- No utilice la unidad a menos de 15 cm de personas que tengan implantado un marcapasos o un desfibrilador. Las ondas de radiofrecuencia que emite esta unidad pueden afectar a los dispositivos de electromedicina implantados, como marcapasos o desfibriladores.

Si observa cualquier anomalía

- Si surge cualquiera de las anomalías siguientes, apague inmediatamente la alimentación y desconecte el enchufe de alimentación.
 - El cable/enchufe de alimentación está deteriorado.
 - La unidad emite humo u olores no habituales.
 - Algún material extraño ha caído en el interior de la unidad.
 - La unidad presenta alguna grieta u otro signo de deterioro.

Si continúa usando la unidad, existe riesgo de descarga eléctrica, incendio o avería. Solicite inmediatamente una inspección o reparación al distribuidor a quien compró la unidad o al Servicio técnico de Yamaha.

- Asegúrese de que la unidad o el adaptador de CA no se le caigan y no los someta a ningún impacto fuerte. Si sospecha que la unidad podría estar deteriorada como consecuencia de una caída o un golpe, apague inmediatamente la alimentación y extraiga el enchufe de alimentación de la toma de corriente de CA. De no seguirse estas instrucciones, existe riesgo de descargas eléctricas, incendio o averías. Solicite inmediatamente una inspección al distribuidor a quien compró la unidad o al Servicio técnico de Yamaha.



ATENCIÓN

Este contenido está relacionado con “riesgo de lesiones”:

Alimentación/adaptador de CA

- No cubra ni envuelva el adaptador de CA con una tela o manta. De no seguirse estas instrucciones, el calor quedaría atrapado, lo que provocaría deformación en caso de un incendio.
- No utilice una toma de corriente de CA que presente holgura al insertar el enchufe de alimentación. De no seguirse estas instrucciones, existe riesgo de incendio, descargas eléctricas o quemaduras.
- Al retirar el enchufe de la unidad o de una toma de CA, tire siempre del enchufe y no del cable. Tirar del cable puede deteriorarlo, con el consiguiente riesgo de descargas eléctricas o incendio.
- Inserte el enchufe de alimentación firmemente hasta el fondo en la toma de corriente de CA. Usar la unidad sin estar debidamente enchufada puede provocar acumulación de polvo en las patillas, con el consiguiente riesgo de incendio o quemaduras.

Instalación

- No coloque la unidad sobre superficies inestables, donde pueda caerse o volcarse por accidente y provocar lesiones.
- Al instalar esta unidad:
 - No tape el dispositivo con ningún tipo de tela.
 - No instale el dispositivo sobre moquetas o alfombras.
 - Asegúrese de que la superficie superior queda hacia arriba; no instale la unidad sobre los laterales ni boca abajo.
- Asegúrese de que la parte superior está orientada hacia arriba. De lo contrario, se pueden producir averías o la unidad podría caerse y provocar lesiones.
- No instale la unidad en un lugar donde pueda entrar en contacto con gases corrosivos o aire salobre, o bien en lugares donde haya un exceso de humo o vapor. Si ocurriera, podría dar lugar a un funcionamiento defectuoso.
- Procure no estar cerca de la unidad si se produce algún desastre natural como, por ejemplo, un terremoto. Dado que la unidad podría volcar o caerse y causar lesiones, aléjese de ella rápidamente y vaya a un lugar seguro.
- Antes de mover esta unidad, asegúrese de desconectar el interruptor de alimentación y todos los cables de conexión. De no seguirse estas instrucciones, existe riesgo de deterioro de los cables o de que usted u otra persona tropiecen con ellos y se caigan.

Pérdida auditiva

- Antes de conectar la unidad a otros dispositivos, desconecte la alimentación de todos ellos. De no seguirse estas instrucciones, existe riesgo de pérdida de audición, descarga eléctrica o daños en el dispositivo.
- Cuando encienda la alimentación de CA del sistema de sonido, encienda siempre el amplificador o receptor EN ÚLTIMO LUGAR para evitar sufrir pérdida de audición y no provocar daños en los altavoces. Por el mismo motivo, cuando desconecte la alimentación, apague PRIMERO el amplificador o receptor. De no seguirse estas instrucciones, existe riesgo de pérdida auditiva o daños en los altavoces.

Mantenimiento

- Desconecte el enchufe de alimentación de la toma de CA antes de limpiar la unidad. De no seguirse estas instrucciones, existe riesgo de descargas eléctricas.

Precauciones de uso

- Mantenga las partes pequeñas fuera del alcance de los niños. Estos podrían ingerirlas por accidente.
- No haga lo siguiente:
 - Subirse encima del equipo o sentarse en él.
 - Poner objetos pesados encima del equipo.
 - Apilar el equipo.
 - Aplicar fuerza más allá de lo razonable a los botones, interruptores, terminales de entrada/salida, etc.
 - Apoyarse sobre el equipo.
- No tire de los cables conectados para evitar lesiones o daños en la unidad debidos a caídas.

Aviso

Indica puntos que debe observar para evitar averías, daños o mal funcionamiento del producto, así como pérdidas de datos.

Alimentación/adaptador de CA

- Si no va a utilizar la unidad durante un período prolongado, asegúrese de desconectar el enchufe de alimentación de la toma de corriente. Una mínima corriente aún seguirá fluyendo aunque la alimentación se haya desconectado (la alimentación está en modo de espera).

Instalación

- No utilice esta unidad en las proximidades de equipos electrónicos, tales como TV, radios o teléfonos móviles. De no seguirse estas instrucciones, la unidad, el televisor o la radio podrían emitir ruidos de interferencias.
- No use esta unidad en una ubicación que esté expuesta a la luz solar directa, que alcance temperaturas demasiado altas (por ejemplo, al lado de una estufa) o bajas ni que esté sometida a cantidades excesivas de polvo o vibraciones. De no seguirse estas instrucciones, existe riesgo de que el panel de la unidad se deforme, de que sus componentes internos se averíen o de que el funcionamiento sea inestable.
- Si usa una función inalámbrica, evite instalar esta unidad cerca de tabiques o mesas de metal, hornos microondas u otros dispositivos de red inalámbrica.
Las obstrucciones pueden acortar el alcance de la transmisión.

Conexiones

- Si va a conectar unidades externas, asegúrese de leer detenidamente el manual de cada una de ellas y de conectarlas de acuerdo con las instrucciones.
Manipular la unidad sin atenderse a las instrucciones puede provocar averías.

Manipulación

- No coloque productos de plástico o caucho sobre esta unidad. De no seguirse estas instrucciones, el panel de la unidad podría decolorarse o deformarse.
- Si la temperatura ambiente cambia drásticamente (por ejemplo, durante el transporte o al aplicar rápidamente la calefacción o el aire acondicionado) y existe la posibilidad de que se haya formado condensación en el interior de la unidad, déjela varias horas sin encenderla hasta que esté totalmente seca antes de usarla. Usar la unidad mientras contiene condensación puede producir averías.

Mantenimiento

- Si la temperatura o la humedad cambian drásticamente, es posible que se formen gotas de agua (condensación) en la superficie de la unidad. Si se forman gotas de agua, límpielas de inmediato con un paño suave. Si se dejan gotas de agua sobre la unidad, es posible que las partes de madera las absorban, lo que provocará deformación.
- Para limpiar la unidad, utilice un paño suave y seco. No use productos químicos como bencina, disolventes, detergentes o bayetas impregnadas de productos químicos, pues podrían provocar decoloraciones o deformaciones.

Información

Acerca del contenido de este manual

- Las figuras y pantallas de este manual solo tienen propósitos ilustrativos.
- Los nombres de empresas y productos utilizados en este manual son marcas comerciales o marcas comerciales registradas de sus respectivos titulares.
- El software podría revisarse y actualizarse sin previo aviso.

■ Acerca de la placa del nombre de la unidad

El número de modelo, el número de serie, los requisitos de alimentación, etc. pueden encontrarse en la placa de identificación o cerca de ella. Esta placa se encuentra en la parte inferior de la unidad. Debe anotar dicho número en el espacio proporcionado a continuación y conservar este manual como comprobante permanente de su compra para facilitar la identificación en caso de robo.

Nº de modelo

Nº de serie

(bottom_es_01)



Contenido

Antes de empezar 8

Qué puede hacer con la unidad	8
Acerca de este manual	9
Manipulación de discos	9
Comprobación de los accesorios suministrados. . .	9
Partes y sus funciones	10
Panel superior	10
Panel trasero	12

Preparación 13

Ubicación	13
Montaje	13
Montaje de la unidad	13
Colocación de la cubierta antipolvo.	15
Conexiones.	16
Conexión a un amplificador.	16
Conexión de un cable de red	17
Ajustes	18
Ajuste de la presión de aguja	18
Ajuste del antideslizamiento	20
Encendido de la unidad	20
Acerca de los modos de espera de esta unidad . . .	20
Conexión de la unidad a la red	21

Reproducción 23

Escucha de un disco	23
Escucha de radio de Internet	26
Escucha de servicios de transmisión	26
Reproducción de archivos de música guardados en un servidor multimedia (PC/NAS) . .	27
Configuración del uso compartido de medios.	27
Reproducción de archivos de música.	27
Escucha de música a través de Bluetooth	28
Escucha de música a través de AirPlay	29
Uso de MusicCast CONTROLLER para registrar favoritos.	29

Ajustes detallados 30

Configuración a través de MusicCast CONTROLLER	30
Ajuste del temporizador para dormir.	30
Activación/desactivación de la reproducción automática	30
Activación/desactivación de la espera automática.	30
Configuración a través de un navegador de Internet	31
Acceso a la pantalla de ajustes.	31

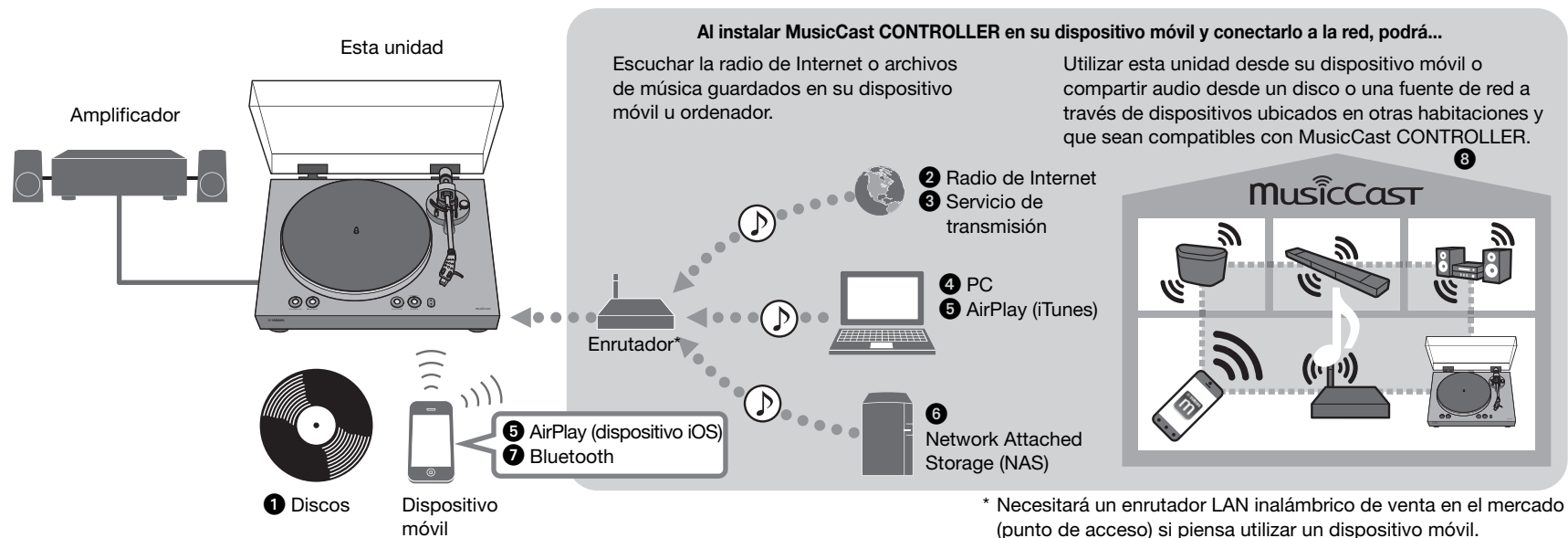
En caso necesario 32

Actualización del firmware.	32
Inicialización de los ajustes	33
Conexión a una red usando la función WAC	33
Cuidados.	34
Sustitución	34
Sustitución de la correa	34
Sustitución de la aguja para disco.	35
Traslado de esta unidad	35
Resolución de problemas	36
General	36
Bluetooth	38
Red.	39
Dispositivos y formatos de archivo admitidos	41
Dispositivos admitidos	41
Formatos de archivo	41
Marcas comerciales.	42

Antes de empezar

Qué puede hacer con la unidad

Esta unidad es un giradiscos de red que permite reproducir desde fuentes de red como servidores multimedia o dispositivos móviles, además de reproducir discos.



- 1 Reproducción de discos (⇒ página 23)
- 2 Escucha de radio de Internet (⇒ página 26)
- 3 Escucha de servicios de transmisión (⇒ página 26)
- 4 Reproducción de archivos de música guardados en un PC (⇒ página 27)
- 5 Reproducción de archivos de música con AirPlay (⇒ página 29)

- 6 Reproducción de archivos de música en un dispositivo Network Attached Storage (NAS) (⇒ página 27)
- 7 Reproducción de contenido de audio desde un dispositivo Bluetooth (⇒ página 28)
- 8 Reproducción de música con MusicCast CONTROLLER (⇒ página 21)

Acerca de este manual

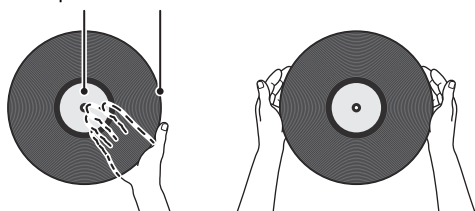
Cuando lea este manual, tenga en cuenta lo siguiente.

- ♦ Las especificaciones y el diseño están sujetos a cambio sin previo aviso para mejorar el producto.
- ♦ En este manual, iPhone, iPad y iPod touch se denominan de forma colectiva “dispositivo iOS”.
- ♦ En este manual se utilizan pantallas de MusicCast CONTROLLER que aparecen en inglés en un iPhone como ejemplos.
- ♦ Explicación de los símbolos gráficos utilizados en este manual:
 - “**⚠ ADVERTENCIA**” indica puntos que deben observarse para evitar el riesgo de muerte o lesiones graves.
 - “**⚠ ATENCIÓN**” indica puntos que deben observarse para evitar el riesgo de lesiones.
 - **AVISO** indica puntos que deben observarse para evitar dañar el producto o provocar una avería.
 - **NOTA** Indica información complementaria que le resultará útil.

Manipulación de discos

Cuando sostenga un disco, debe hacerlo por la zona de la etiqueta del disco y su borde exterior, o bien por los bordes exteriores del disco con las dos manos.

Zona de la etiqueta Borde exterior



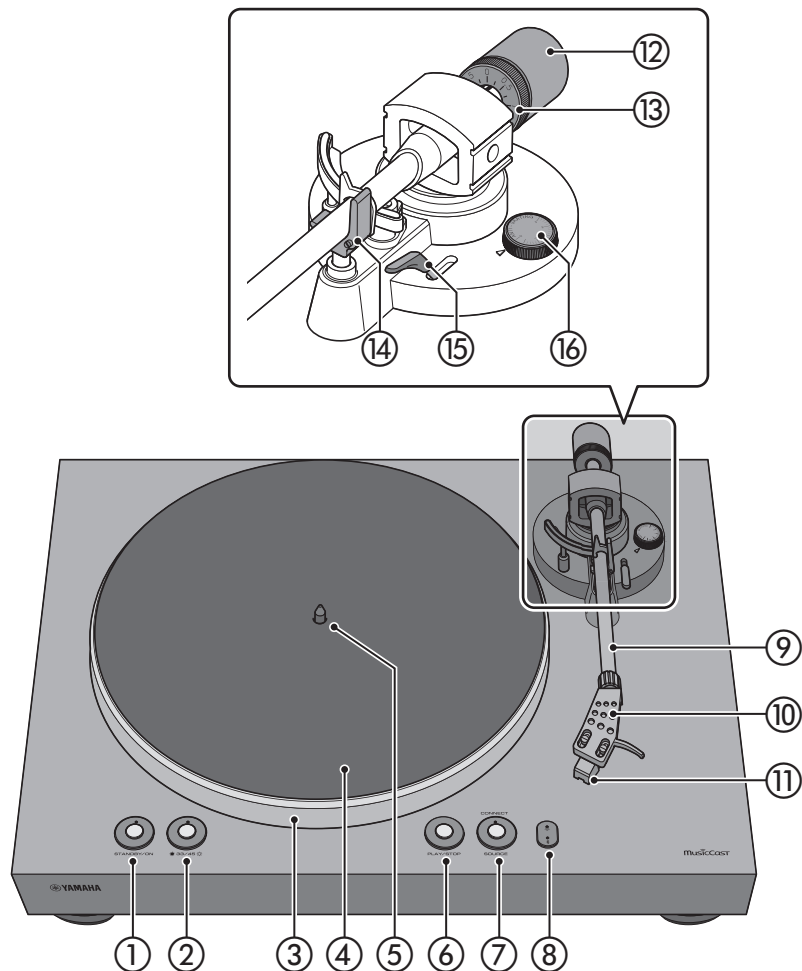
Comprobación de los accesorios suministrados

Asegúrese de que todos los elementos están presentes.

<input type="checkbox"/> Plato x1 	<input type="checkbox"/> Tapete de plato x1 	<input type="checkbox"/> Correa x1 * La correa está instalada en el plato.
<input type="checkbox"/> Contrapeso x1 	<input type="checkbox"/> Cabezal de la aguja x1 (con cartucho) 	<input type="checkbox"/> Adaptador de 45 rpm x1
<input type="checkbox"/> Cubierta antipolvo x1 	<input type="checkbox"/> Bisagra de la cubierta antipolvo x2 	<input type="checkbox"/> Cable estéreo RCA x1
<input type="checkbox"/> Adaptador de CA x1 * Para obtener más información, consulte el “suplemento” (folleto) incluido.	<input type="checkbox"/> Manual de instrucciones (este manual) <input type="checkbox"/> Suplemento (folleto)	

Partes y sus funciones

Panel superior



① STANDBY/ON (alimentación)

Alterna la alimentación de la unidad entre encendido y en espera (apagado). (⇒ página 20)

Indicador de STANDBY/ON (alimentación)

Indica el estado de la alimentación de la unidad.

Iluminado: alimentación encendida

Iluminación suave: alimentación en estado de red en espera (⇒ página 20)

Apagado: alimentación en estado de reposo eco (⇒ página 20)

② 33/45 (velocidad) (⇒ página 24)

Indicador de velocidad (⇒ página 24)

③ Plato (⇒ página 13)

④ Tapete de plato (⇒ página 14)

⑤ Eje central (⇒ página 13)

⑥ PLAY/STOP (reproducción/parada) (⇒ página 24)

Permite girar o detener el plato.

NOTA

- ◆ Si la fuente (fuente de audio) es una red o una conexión Bluetooth, permite reproducir o detener la fuente de red.

⑦ SOURCE

Selecciona la fuente (fuente de audio) para esta unidad. Cada vez que lo pulsa, la fuente alterna entre PHONO, red y Bluetooth.

NOTA

- ◆ La fuente se puede cambiar si el interruptor de selección de salida de audio del panel trasero de esta unidad se establece en LINE OUT.

Indicador de SOURCE

El color del indicador cambia en función de la fuente.

Fuente	Color del indicador
PHONO	Blanco
Red (AirPlay)	Rosa
Red (distinta de AirPlay)	Verde
Bluetooth	Azul

NOTA

- ◆ Cuando se proporciona firmware nuevo, el indicador parpadea en naranja. (⇒ página 32)

CONNECT

Utilícelo cuando use MusicCast CONTROLLER para realizar ajustes de conexión de red. (⇒ página 21)

⑧ Indicador de  (LAN inalámbrica)

Se ilumina cuando esta unidad se conecta de manera inalámbrica. (⇒ página 21)

Indicador de  (Bluetooth)

Se ilumina cuando esta unidad se conecta a un dispositivo Bluetooth. (⇒ página 28)

⑨ Brazo fonocaptor (⇒ página 14)

⑩ Cabezal de la aguja (⇒ página 14)

⑪ Cartucho

⑫ Contrapeso (⇒ página 19)

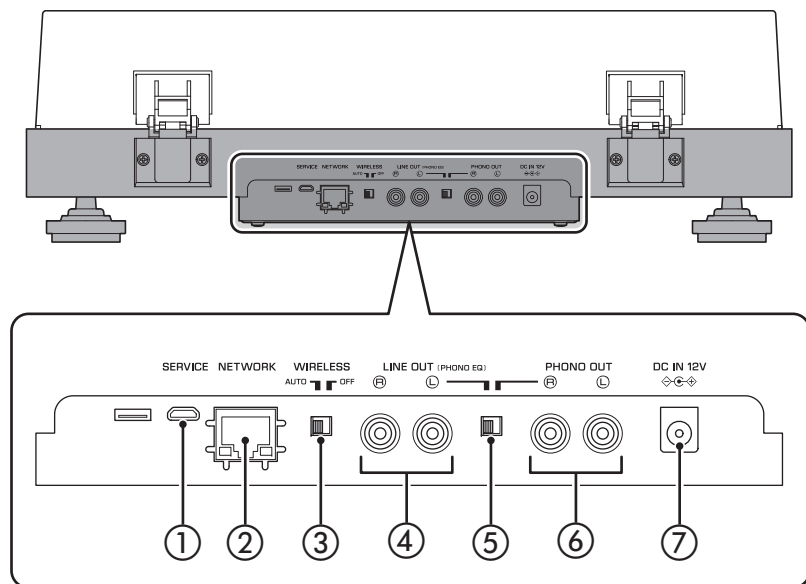
⑬ Anillo contador (⇒ página 19)

⑭ Soporte del brazo (⇒ página 18)

⑮ Palanca elevadora (⇒ página 24)

⑯ Antideslizamiento (⇒ página 20)

Panel trasero



① Toma SERVICE

Esta toma sirve solamente para realizar reparaciones. No se suele utilizar.

② Toma NETWORK

Utilice un cable LAN (disponible en el mercado) para conectarla a su red.

③ Interruptor WIRELESS

Activa/desactiva la funcionalidad inalámbrica de esta unidad (incluido el Bluetooth).

AUTO (predeterminado): la funcionalidad inalámbrica está activada.

OFF: la funcionalidad inalámbrica está desactivada.

④ Tomas LINE OUT

Emite el audio de reproducción desde el disco o la fuente de red. (⇒ página 16)

⑤ Interruptor de selección de salida de audio

Alterna la salida de audio. (⇒ página 16)

LINE OUT (predeterminado): la señal procedente del cartucho se amplifica mediante el ecualizador del giradiscos que está integrado en esta unidad, y se emite desde las tomas LINE OUT.

PHONO OUT: la señal procedente del cartucho se emite directamente desde las tomas PHONO OUT.

⑥ Tomas PHONO OUT

Estas tomas emiten el audio de reproducción del disco. (⇒ página 17)

⑦ Toma DC IN

Conecte el adaptador de CA (incluido) a esta toma. (⇒ página 16)

Preparación

Ubicación

Debido a que la reproducción de discos se ve afectada fácilmente por la vibración, debe colocar la unidad en una superficie plana que no esté sometida a vibraciones externas.

Colóquela lo suficientemente lejos del sistema de altavoces para que no se vea afectada por la presión o vibración acústica.

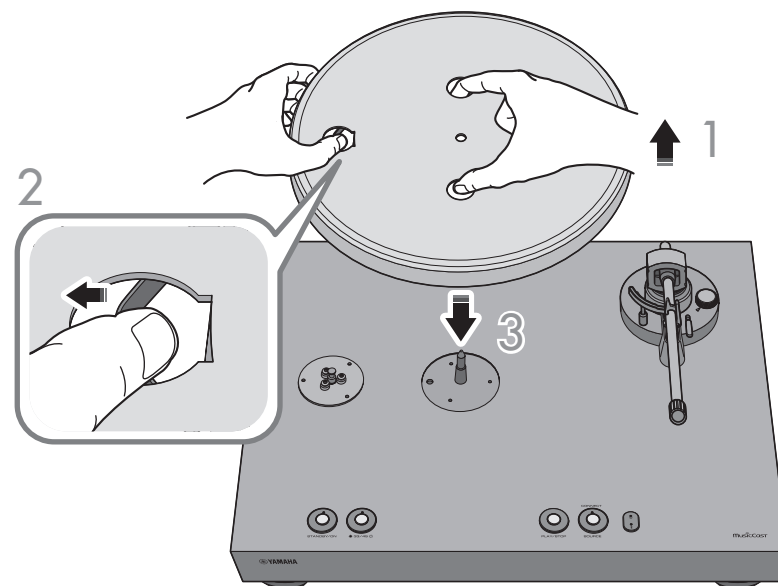
Montaje

Montaje de la unidad

- 1 Levante el plato.
- 2 A través del agujero redondo del plato, tire de la correa hacia fuera enganchándola con el dedo.
- 3 Inserte el plato sobre el eje central.

ATENCIÓN

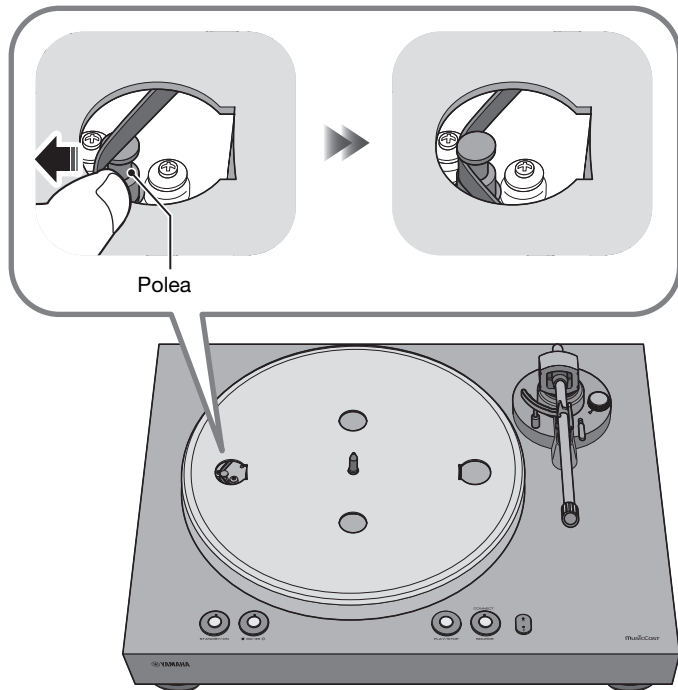
- ◆ Evite dejar caer el plato. De lo contrario, se pueden producir lesiones o podría dañar la unidad.



4 Alinee el agujero redondo del plato con la polea.

5 Utilice un dedo para enganchar la correa en la polea.

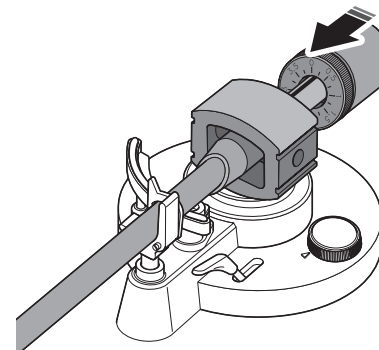
Evite que la correa se retuerza. Tras enganchar la correa en la polea, gire el plato varias veces para asegurarse de que la correa está bien colocada.



6 Coloque el tapete de plato sobre el plato.

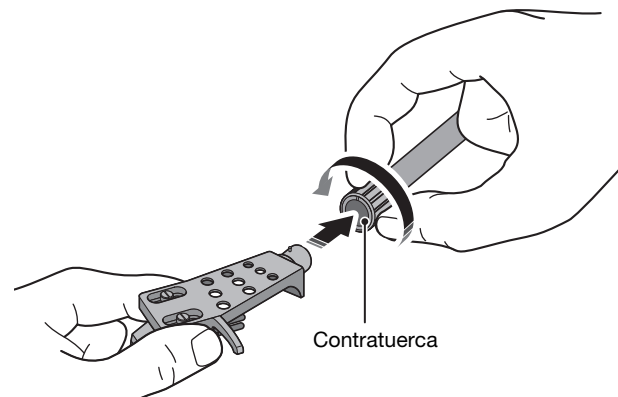
7 Acople el contrapeso al brazo fonocaptor.

Con las marcas del contrapeso orientadas hacia usted, deslícelo sobre el extremo trasero del brazo fonocaptor.



8 Acople el cabezal de la aguja al brazo fonocaptor.

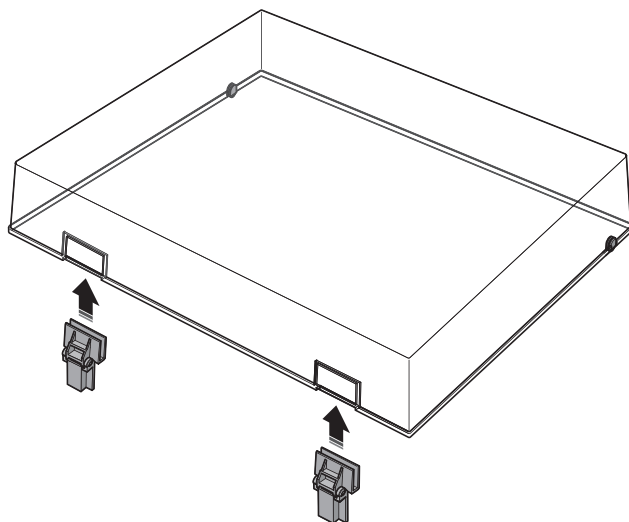
Inserte el cabezal de la aguja en el extremo delantero del brazo fonocaptor y gire la contratuerca para fijarlo.



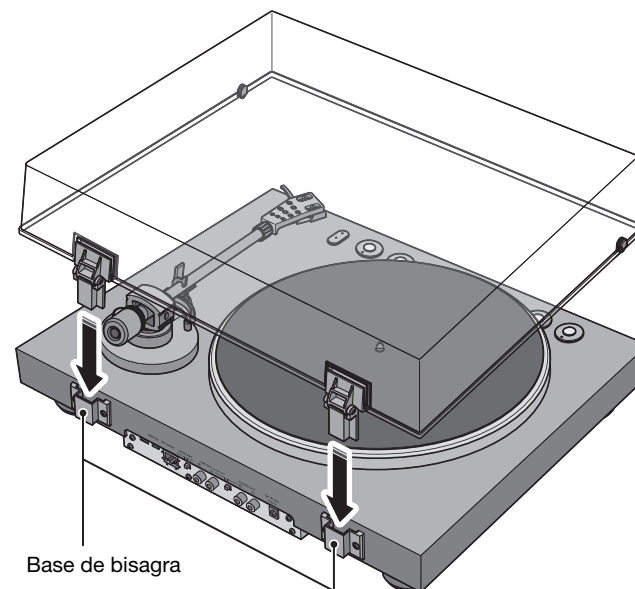
Colocación de la cubierta antipolvo

La cubierta antipolvo protege esta unidad del polvo, etc.

- 1 Inserte las bisagras en las ubicaciones correspondientes a ambos lados de la cubierta antipolvo.



- 2 Acople la cubierta antipolvo insertando las bisagras en las bases de bisagra ubicadas en el panel trasero de la unidad.



NOTA

- ◆ Para extraer la cubierta antipolvo, sujete los dos lados de la cubierta y levántela lentamente para retirarla junto con sus bisagras.



ATENCIÓN

- ◆ Evite pellizcarse las manos o los dedos al abrir o cerrar la cubierta antipolvo.

Conexiones

Conexión a un amplificador

Realice conexiones como se muestra en la ilustración siguiente.

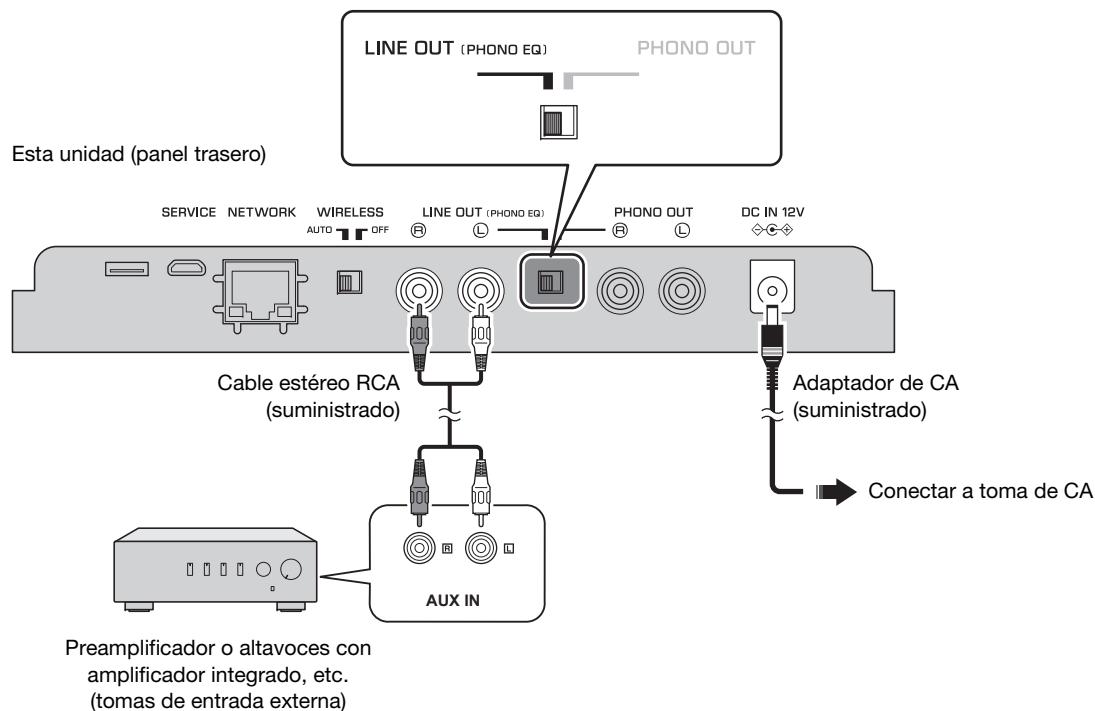


ATENCIÓN

- ◆ No enchufe a las tomas de CA (corriente alterna) los cables de alimentación de esta unidad y de otros dispositivos conectados hasta que todas las conexiones y ajustes de interruptor de selección de salida de audio estén terminados.

■ Si utiliza las tomas LINE OUT de esta unidad

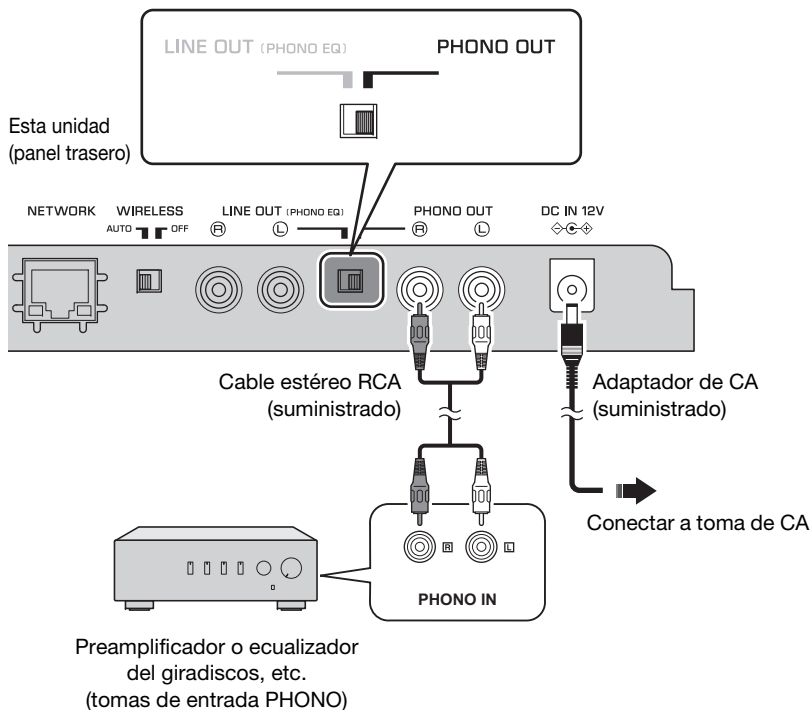
Fuentes que se pueden reproducir: discos, todas las fuentes de red incluyendo radio de Internet y Bluetooth



■ Si utiliza las tomas PHONO OUT de esta unidad

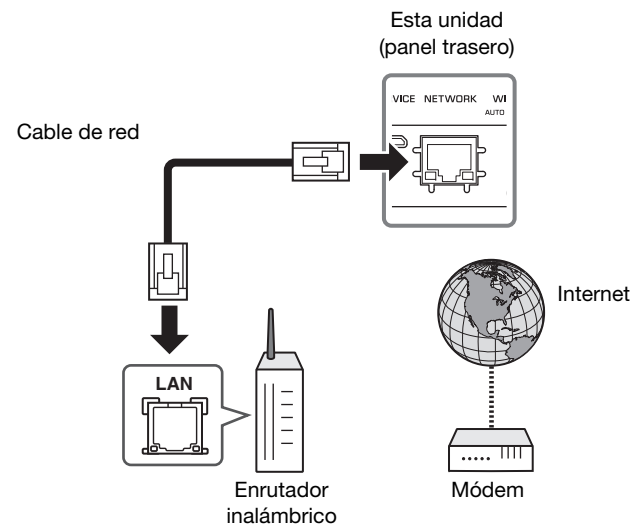
Fuentes que se pueden reproducir: discos

No se puede usar la funcionalidad de red de esta unidad.



Conexión de un cable de red

Para utilizar una conexión por cable a la red, conecte esta unidad al enrutador con un cable de red STP disponibles en el mercado (cable recto CAT-5 o superior). Para realizar una conexión inalámbrica a la red, consulte "Conexión de la unidad a la red" (⇒ página 21).



NOTA

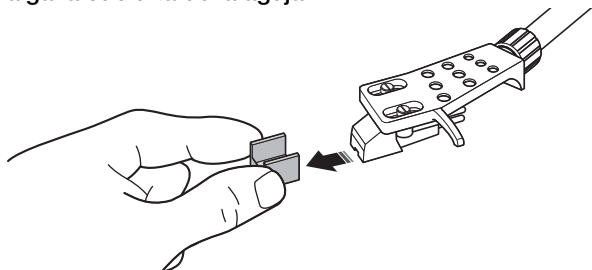
- ◆ Conecte el cable de red antes de encender la alimentación de esta unidad.
- ◆ Puede conectarse a la red mediante una conexión por cable sin importar si el interruptor WIRELESS ubicado en el panel trasero de esta unidad está colocado en AUTO u OFF. (⇒ página 12)
- ◆ Si la unidad ya está conectada a la red de manera inalámbrica, ajuste la alimentación de esta unidad en el modo de espera, conecte el cable de red, coloque el interruptor WIRELESS del panel trasero en OFF y luego encienda la alimentación. (⇒ página 12)

Ajustes

Ajuste de la presión de aguja

Ajuste el brazo fonocaptor de modo que se aplique al disco la presión de aguja adecuada.

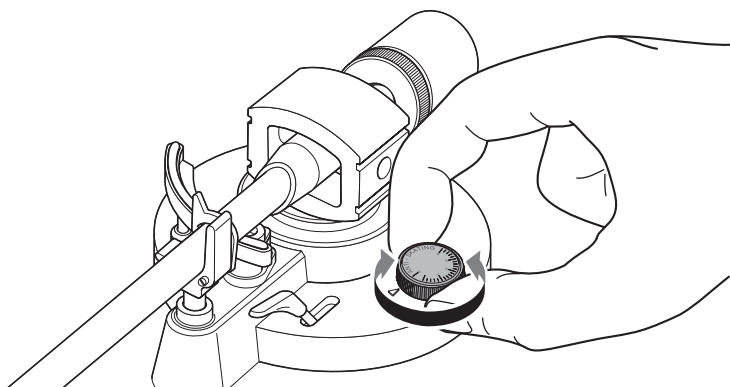
1 Extraiga la cubierta de la aguja.



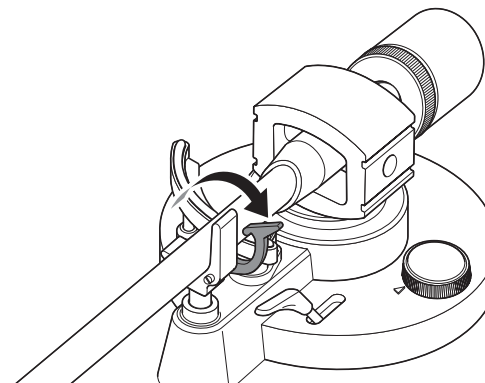
AVISO

- ◆ Evite que la cubierta de la aguja o su dedo entren en contacto con la aguja.

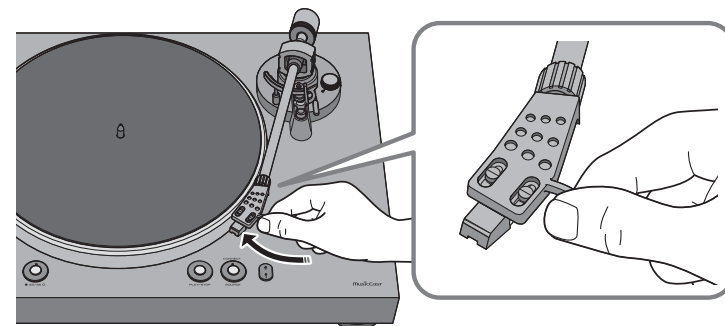
2 Coloque el ajuste antideslizamiento en la posición "0".



3 Libere el inmovilizador del brazo fonocaptor.



4 Desplace el brazo fonocaptor fuera del soporte del brazo y ligeramente hacia la izquierda.



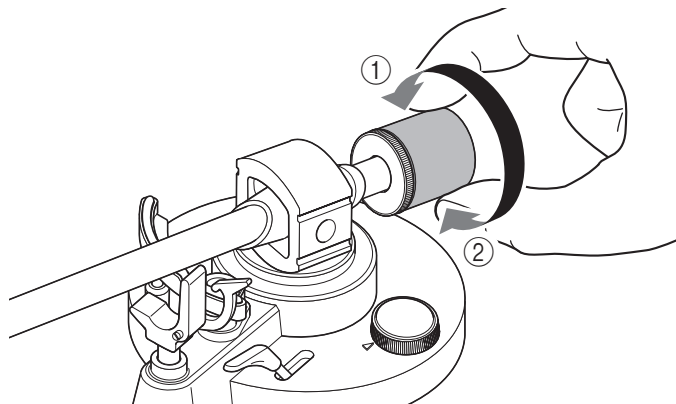
AVISO

- ◆ Evite que la aguja entre en contacto con cualquier parte de la unidad.

5 Gire el contrapeso de modo que el brazo fonocaptor quede horizontal.

Hacia ①: el contrapeso avanza por el brazo fonocaptor.

Hacia ②: el contrapeso retrocede por el brazo fonocaptor.



Correcto



El brazo fonocaptor está horizontal (equilibrado).

Incorrecto



El contrapeso está demasiado hacia delante.

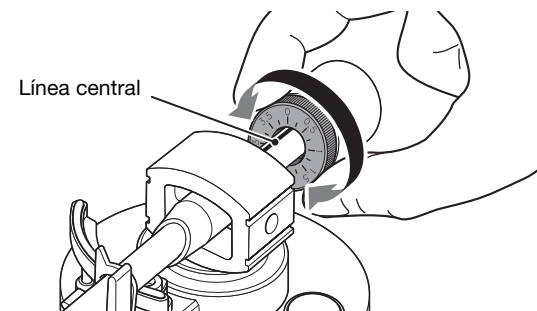
Incorrecto



El contrapeso está demasiado hacia atrás.

6 Vuelva a colocar el brazo fonocaptor en el soporte del brazo e inmovilícelo.

7 Gire el anillo contador de modo que la marca "0" quede alineada con la línea central del extremo trasero del brazo fonocaptor.

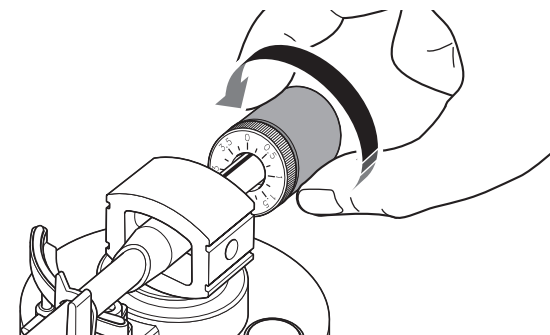


NOTA

- ◆ Al girar el anillo contador, presione el contrapeso con los dedos para que no gire.

8 Al girar el contrapeso, ajuste las marcas de este a la presión de aguja especificada para el cartucho.

La presión de aguja especificada para el cartucho suministrado es 3,5 g.



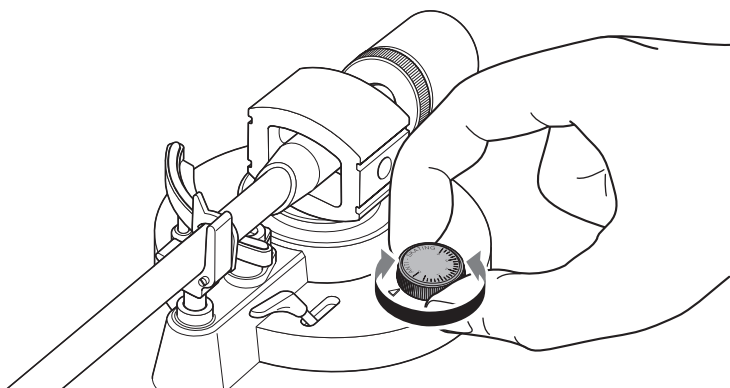
NOTA

- ◆ Al girar el contrapeso también gira el anillo contador.

Ajuste del antideslizamiento

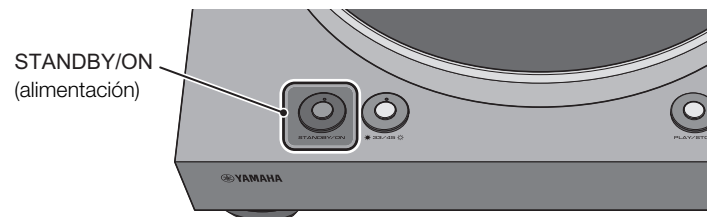
Cuando el plato gira, la punta de la aguja genera una fuerza que la empuja hacia el centro de rotación. Si el valor de antideslizamiento se establece en el mismo valor que la presión de aguja, se genera una fuerza que tira de la aguja hacia fuera del centro de rotación, y ambas fuerzas se cancelan mutuamente.

- 1 Gire el antideslizamiento al mismo valor que la presión de aguja del cartucho.



Encendido de la unidad

En el panel superior de la unidad, pulse **STANDBY/ON** (alimentación) para encender la alimentación de la unidad. Pulse **STANDBY/ON** (alimentación) de nuevo para poner la unidad en el modo de espera.



NOTA

- ◆ Al encender la alimentación por primera vez tras la compra o la inicialización de la unidad, es posible que el indicador de (LAN inalámbrica) parpadee. Si es así, puede conectarla a la red inalámbrica compartiendo los ajustes de red de su dispositivo iOS. (⇒ página 33)
Para poder escuchar música desde distintas fuentes de red, utilice MusicCast CONTROLLER para conectarse a su red. (⇒ página 21)

Acerca de los modos de espera de esta unidad

Esta unidad tiene dos tipos de modo de espera.

Red en espera: la alimentación de este dispositivo se puede encender desde un dispositivo de red (solo cuando el interruptor de selección de salida de audio se establece en LINE OUT).

Reposo eco: este modo reduce el consumo energético en espera.

NOTA

- ◆ Si desea cambiar al ajuste de reposo eco, puede utilizar su navegador de Internet para cambiar el ajuste de espera. (⇒ página 31)
- ◆ Si desea cambiar temporalmente al reposo eco, mantenga pulsado **STANDBY/ON** (alimentación) durante cinco segundos mientras la unidad recibe alimentación (solo cuando el interruptor de selección de salida de audio se establece en LINE OUT).

Conexión de la unidad a la red

En esta sección se explica cómo registrar la unidad con MusicCast y cómo configurar la unidad para la conexión de red.

Aunque este dispositivo esté conectado a la red con un cable, el registro en MusicCast es necesario para reproducir fuentes de red.

NOTA

- ◆ Si desea reproducir fuentes de audio de alta resolución a través de la red, se recomienda una conexión por cable para mayor estabilidad de reproducción. (⇒ página 17)
- ◆ Su dispositivo móvil debe estar ya conectado al enrutador LAN inalámbrico (punto de acceso).

1 Instale MusicCast CONTROLLER en su dispositivo móvil.

En el App Store o en Google Play, busque MusicCast CONTROLLER (gratis) e instale la aplicación en su dispositivo móvil.

Para obtener más información acerca de MusicCast CONTROLLER, consulte el siguiente sitio web.

<https://www.yamaha.com/musiccast/>



MusicCast CONTROLLER es una aplicación para controlar dispositivos compatibles con MusicCast. Permite compartir música entre varios dispositivos compatibles con MusicCast colocados en distintas habitaciones. Puede utilizar su smartphone u otro dispositivo móvil como mando a distancia para seleccionar con facilidad canciones y realizar ajustes en el dispositivo compatible con MusicCast.

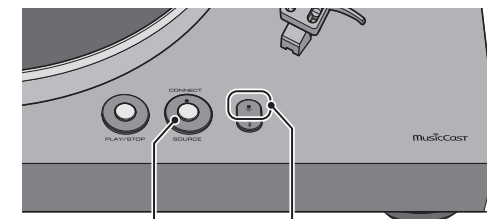
2 Inicie MusicCast CONTROLLER en su dispositivo móvil y, a continuación, toque “Configuración”.



Toque aquí.

3 Configure MusicCast CONTROLLER siguiendo las instrucciones que aparecen en la pantalla de su dispositivo móvil y, en el panel superior de esta unidad, mantenga pulsado el botón CONNECT durante cinco segundos.


El indicador de  (LAN inalámbrica) parpadea.



CONNECT

Indicador de  (LAN inalámbrica)


4 Siga las instrucciones de la pantalla del dispositivo móvil para hacer los ajustes de red con MusicCast CONTROLLER.

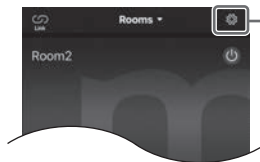
Cuando esta unidad se conecta a la red, el indicador de  (LAN inalámbrica) se ilumina.

Ahora la unidad está registrada con MusicCast y se han completado los ajustes de red.

Utilice MusicCast CONTROLLER para reproducir música.

NOTA

- ◆ Para configurar dispositivos compatibles con MusicCast adicionales, toque  (Ajustes) en la esquina superior derecha de la pantalla de MusicCast CONTROLLER y, a continuación, seleccione “Añadir dispositivo nuevo”.



Toque aquí para iniciar los ajustes.

Reproducción

Escucha de un disco

A continuación se explica cómo reproducir un disco.

■ Inicio de la reproducción

⚠ ATENCIÓN

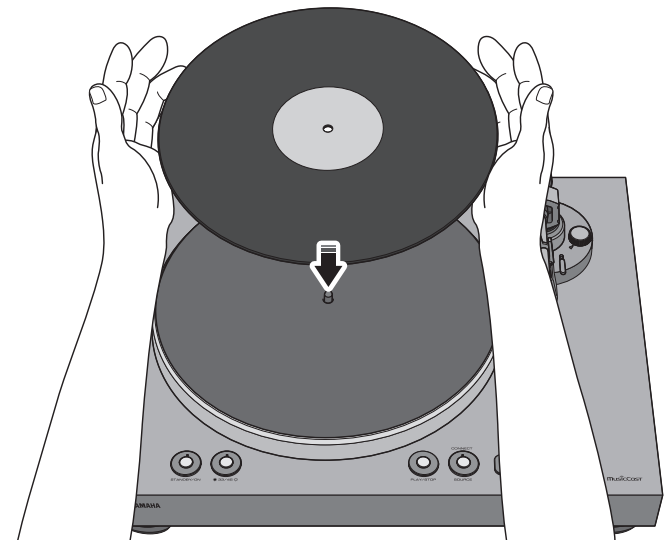
- ◆ Si reproduce un disco sin bajar lo suficiente el volumen de su amplificador, se puede producir un sonido fuerte cuando la punta de la aguja entra en contacto con el disco. Esto puede provocar pérdida de audición y dañar el amplificador y el altavoz, por lo que debe asegurarse de bajar el volumen del amplificador.
- ◆ Si reproduce un disco y el sonido se emite desde las tomas LINE OUT, el plato se detendrá cuando cambie la fuente de PHONO a red o Bluetooth.

NOTA

- ◆ MusicCast CONTROLLER no puede iniciar/detener la reproducción de discos ni cambiar la velocidad.

1 Abra la cubierta antipolvo y coloque el disco en el plato.

Si reproduce un disco de 45 rpm, utilice el adaptador de 45 rpm incluido.



- 2 Pulse 33/45 (velocidad) para seleccionar la velocidad adecuada para el disco.

La velocidad cambia cada vez que se pulsa 33/45 (velocidad).

Indicador de velocidad iluminado: 33 1/3 rpm

Indicador de velocidad apagado: 45 rpm

- 3 Pulse SOURCE para cambiar la fuente a PHONO.

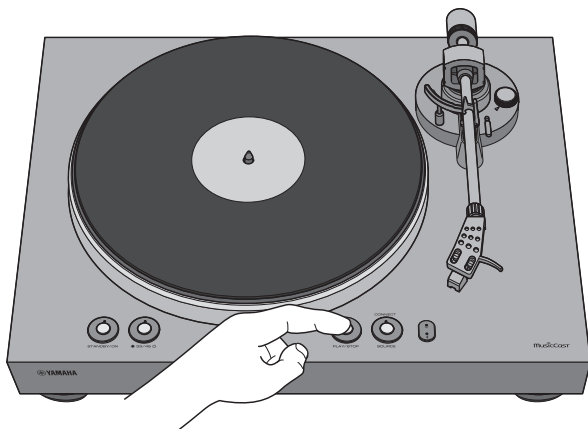
El indicador de SOURCE se ilumina en blanco.

NOTA

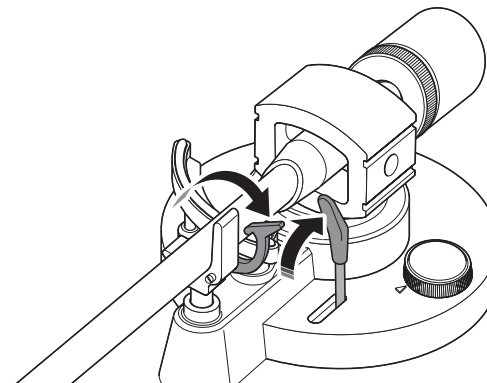
- ◆ Si el interruptor de selección de salida de audio se establece en PHONO OUT, no es necesario cambiar la fuente.

- 4 Pulse PLAY/STOP (reproducción/parada).

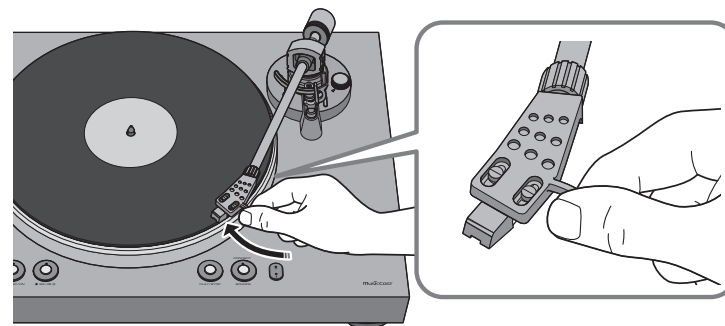
El plato gira.



- 5 Libere el inmovilizador del brazo fonocaptor y levante la palanca elevadora.

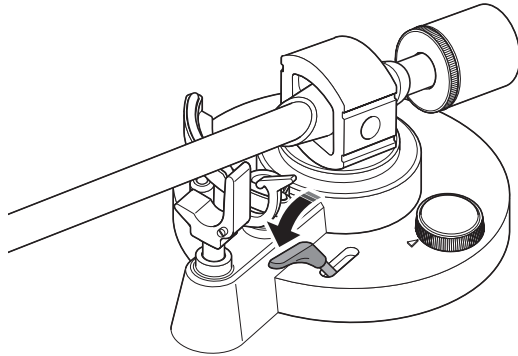


- 6 Mueva el brazo fonocaptor a la posición de reproducción del disco.



7 Baje la palanca elevadora.

El brazo fonocaptor desciende y se inicia la reproducción.



■ Puesta en pausa de la reproducción

Si levanta la palanca elevadora, el brazo fonocaptor se eleva y la reproducción se pone en pausa.

Al bajar la palanca elevadora, la reproducción se reanuda.

■ Detención de la reproducción

- 1 Levante la palanca elevadora.
- 2 Vuelva a colocar el brazo fonocaptor en el soporte del brazo.
- 3 Baje la palanca elevadora.
- 4 Pulse PLAY/STOP (reproducción/parada).
El plato deja de girar.
- 5 Inmovilice el brazo fonocaptor.

NOTA

- ◆ El brazo fonocaptor no se eleva automáticamente cuando el disco termina de reproducirse.
- ◆ Si no va a utilizar la unidad durante cierto tiempo, coloque la cubierta en la aguja para protegerla.

Escucha de radio de Internet

A continuación se explica cómo seleccionar una emisora de radio de Internet usando la aplicación MusicCast CONTROLLER instalada en su dispositivo móvil.

NOTA

- ◆ **Antes de seleccionar una emisora, registre esta unidad con MusicCast.** (⇒ página 21)
- ◆ **Es posible que ciertas emisoras de radio de Internet no estén disponibles en ningún momento o a determinadas horas.**
- ◆ **Esta función utiliza el servicio “airable.Radio”. Este servicio lo proporciona Tune In GmbH.**
- ◆ **Este servicio puede cambiar o finalizar sin previo aviso.**

- 1 **Utilice MusicCast CONTROLLER para seleccionar la habitación en la que se encuentra esta unidad (p. ej., Room 1).**
- 2 **Toque “Net Radio”.**
- 3 **Seleccione la emisora de radio de Internet que desea escuchar.**

Escucha de servicios de transmisión

Puede escuchar un servicio de transmisión usando la aplicación MusicCast CONTROLLER instalada en su dispositivo móvil. Para obtener más información sobre los servicios de transmisión, consulte las explicaciones complementarias acerca de los servicios de transmisión disponibles en su zona. Acceda al sitio de descargas de Yamaha para descargar las explicaciones complementarias. <https://download.yamaha.com/>

NOTA

- ◆ **El servicio está restringido a determinadas zonas.**
- ◆ **Es posible que los servicios compatibles con la unidad no estén disponibles en función de la región en la que se haya comprado la unidad.**
- ◆ **El servicio puede cambiar o finalizar sin previo aviso.**

Reproducción de archivos de música guardados en un servidor multimedia (PC/NAS)

En esta unidad puede reproducir archivos de música guardados en un PC o dispositivo Network Attached Storage (NAS) compatible con DLNA.

NOTA

- ◆ Es posible que el audio se interrumpa mientras se utiliza una conexión de red inalámbrica. En ese caso, utilice una conexión de red por cable. (⇒ página 17)
- ◆ Para obtener información sobre los formatos de archivo que se pueden reproducir con esta unidad, consulte “Dispositivos y formatos de archivo admitidos” (⇒ página 41). Consulte también las especificaciones del dispositivo NAS.

Configuración del uso compartido de medios

Para reproducir en esta unidad música guardada en un PC (o dispositivo NAS), necesita activar el uso compartido de medios entre esta unidad y los otros dispositivos.

■ Para un PC que ejecuta Windows Media Player

El procedimiento de ajuste puede variar dependiendo del PC o de la versión de Windows Media Player. Las siguientes instrucciones utilizan Windows Media Player 12 como ejemplo.

NOTA

- ◆ El método dependerá del ordenador y los ajustes que utilice. Para obtener más información, consulte con el fabricante del ordenador o revise la ayuda de Windows Media Player.

- 1 Inicie Windows Media Player 12 en el PC.
- 2 Seleccione “Transmitir” y luego “Activar la transmisión por secuencias de multimedia”.

- 3 Haga clic en “Activar la transmisión por secuencias de multimedia”.
- 4 Seleccione “Permitido” en la lista desplegable situada junto al nombre de modelo de la unidad.
- 5 Haga clic en “Aceptar” para salir.

■ Para un PC o dispositivo NAS que ejecuta un software de servidor DLNA distinto de Windows Media Player

Consulte el manual de instrucciones del dispositivo o software y configure el uso compartido de medios.

Reproducción de archivos de música

A continuación se explica cómo reproducir usando la aplicación MusicCast CONTROLLER instalada en su dispositivo móvil.

NOTA

- ◆ Registre la unidad como un dispositivo compatible con MusicCast antes de reproducir archivos de música. (⇒ página 21)

- 1 Utilice MusicCast CONTROLLER para seleccionar la habitación en la que se encuentra esta unidad (p. ej., Room 1).
- 2 Toque “Server”.
- 3 Siga las instrucciones en pantalla para seleccionar una canción.

Escucha de música a través de Bluetooth

En esta unidad puede reproducir los archivos de música guardados en un dispositivo Bluetooth (por ejemplo, un smartphone).

NOTA


- ◆ Para usar la funcionalidad Bluetooth, ajuste el interruptor WIRELESS situado en el panel trasero de esta unidad en AUTO. (⇒ página 12)
- ◆ Para obtener información sobre los dispositivos Bluetooth compatibles, consulte “Dispositivos y formatos de archivo admitidos” (⇒ página 41).

1 En el panel superior de esta unidad, pulse SOURCE para cambiar la fuente a Bluetooth.

El indicador de SOURCE se ilumina en azul.

2 En el dispositivo Bluetooth, active la función Bluetooth.

3 En el dispositivo Bluetooth, seleccione esta unidad en la lista de dispositivos disponibles.

Cuando esta unidad se conecta a un dispositivo Bluetooth, el indicador de  (Bluetooth) se ilumina.

NOTA

- ◆ Si se le solicita que introduzca una contraseña, escriba los números “0000”.
- ◆ Si la unidad está registrada como dispositivo MusicCast, el nombre de la habitación aparecerá en la lista de dispositivos disponibles.

4 En el dispositivo Bluetooth, seleccione una canción y comience la reproducción.

NOTA

- ◆ Si la unidad detecta un dispositivo Bluetooth que haya sido conectado anteriormente, se conectará automáticamente a dicho dispositivo Bluetooth después de ejecutar el paso 1. Para establecer otra conexión Bluetooth, finalice primero la conexión Bluetooth actual.
- ◆ Para finalizar una conexión Bluetooth, realice una de las siguientes operaciones:
 - Realice la desconexión desde el dispositivo Bluetooth.
 - Seleccione una opción distinta a “Bluetooth” como fuente para esta unidad.
- ◆ Si activa Bluetooth en espera, esta unidad se enciende automáticamente cuando se realiza una operación de conexión en el dispositivo Bluetooth. (⇒ página 31)

Escucha de música a través de AirPlay

Puede utilizar la función AirPlay para reproducir archivos de música de iTunes o de dispositivos iOS a través de una red.

NOTA

- ◆ Si el dispositivo iOS no reconoce la unidad, compruebe el entorno de red (por ejemplo, el enrutador).

1 Inicie iTunes o visualice la pantalla de reproducción de música en el dispositivo iOS.

Cuando iTunes o el dispositivo iOS reconocen la unidad, aparece el icono de AirPlay.

Ejemplo (iOS 12)



Ejemplo (iTunes)



En un dispositivo iOS, el icono de AirPlay se muestra en la pantalla de reproducción de la app Música o en el Centro de control.

2 En iTunes o en el dispositivo iOS, haga clic en (toque) el icono de AirPlay y, a continuación, seleccione esta unidad como el destino de salida para el audio.

3 Seleccione una canción en iTunes o en el dispositivo iOS para comenzar la reproducción.

La fuente de esta unidad cambia automáticamente a red (AirPlay) y se inicia la reproducción.

El indicador de SOURCE se ilumina en rosa.

Uso de MusicCast CONTROLLER para registrar favoritos

Puede registrar hasta 40 elementos de contenido favorito (canciones guardadas en su PC y emisoras de radio de Internet).

- 1 Reproduzca una canción o emisora de radio de Internet que desea registrar.
- 2 En la pantalla de reproducción, toque **•••** y luego toque “Añadir a Favoritos”.



Toque aquí.

■ Recuperación de contenido registrado

- 1 Utilice MusicCast CONTROLLER para seleccionar la habitación en la que se encuentra esta unidad (p. ej., Room 1).
- 2 Toque “Favoritos” y seleccione el contenido que desea reproducir.

Ajustes detallados

Configuración a través de MusicCast CONTROLLER

Puede utilizar MusicCast CONTROLLER para realizar la configuración de distintas funciones.

Ajuste del temporizador para dormir

Esta función ajusta automáticamente la alimentación de esta unidad en el modo de espera una vez transcurrido el tiempo especificado.

Ajustes: Off (predeterminado), 30 min., 60 min., 90 min., 120 min.

NOTA

- ◆ El ajuste de temporizador para dormir se cancela si realiza cualquiera de las acciones siguientes.
 - Establecer la alimentación de esta unidad en el modo de espera.
 - Desenchufar esta unidad de la toma de CA.
 - Cambiar la fuente a PHONO.
- ◆ El temporizador para dormir no se puede utilizar si la fuente está establecida en PHONO.

Activación/desactivación de la reproducción automática

Esta función especifica si las canciones del ordenador (servidor) se reproducirán automáticamente una vez que la fuente se cambie a Server.

Ajustes

Activado (predeterminado): la reproducción automática está activada. Si la unidad mantiene un historial de reproducción, se volverá a reproducir el elemento reproducido por última vez. Si dicho elemento ya no existe, la unidad no lo reproducirá.

Desactivado: la reproducción automática está desactivada.

Activación/desactivación de la espera automática

Esta función ajusta automáticamente la alimentación en el modo de espera una vez transcurrido el tiempo especificado sin que se reproduzca nada ni se realice otra operación.

Ajustes

Desactivado: a espera automática está desactivada.

Activado: la espera automática está activada. Si esta unidad no ha reproducido nada durante los últimos 20 minutos o no se ha utilizado en las últimas ocho horas, la alimentación cambia automáticamente al modo de espera.

Predeterminado

Modelos de Reino Unido, Europa y Corea: Activado

Otros modelos: Desactivado

NOTA

- ◆ Justo antes de pasar al modo de espera, el indicador de STANDBY/ON (alimentación) parpadea.

Configuración a través de un navegador de Internet

Puede utilizar un navegador de Internet en el ordenador o en otro dispositivo para realizar ajustes para esta unidad y para la conexión de red. A continuación se describe el ajuste de espera.

Conecte esta unidad a la red antes de continuar con las operaciones siguientes. (⇒ páginas 17 y 21)

Acceso a la pantalla de ajustes

A continuación se explica cómo acceder a la pantalla de ajustes en el ordenador.

- 1 **Utilice MusicCast CONTROLLER para averiguar la dirección IP de esta unidad.**
- 2 **Inicie un navegador de Internet en el ordenador.**
- 3 **En la barra de direcciones del navegador de Internet, introduzca la dirección IP que ha encontrado y luego pulse Intro.**

Aparece la pantalla de ajustes.

NOTA

- ◆ No se garantiza que este método funcionará con todos los dispositivos o navegadores.

■ Ajuste de espera

Red en espera

Especifica si la alimentación de esta unidad se puede encender desde un dispositivo de red.

Auto (predeterminado): la red en espera está activada.
Si esta unidad no está conectada a una red, la red en espera se desactiva automáticamente. (La unidad pasa al modo de reposo eco).

On: la red en espera está activada. Este ajuste consumirá más energía que el ajuste "Off".

Off: la red en espera está desactivada. (La unidad pasa al modo de reposo eco).

Bluetooth en espera

Especifica si la alimentación de esta unidad se puede controlar desde el dispositivo Bluetooth. Si este ajuste es "On", la unidad se enciende automáticamente cuando se realiza una operación de conexión en el dispositivo Bluetooth.

On (predeterminado): Bluetooth en espera está activado. (Solo si el ajuste de red en espera es "Auto" u "On").

Off: Bluetooth en espera está desactivado.



Con un diseño de ahorro de energía avanzado, este producto logra un consumo de energía bajo de un máximo de 2 vatios durante el modo de red en espera.



En caso necesario

Actualización del firmware

Se lanzará nuevo firmware con funciones adicionales o mejoras de productos según sea necesario. Puede actualizar el firmware usando la aplicación MusicCast CONTROLLER instalada en su dispositivo móvil.

Cuando haya nuevo firmware disponible, en la pantalla de MusicCast CONTROLLER aparecerá el mensaje “¿Actualizar el nuevo firmware ahora?”.

1 Toque “Sí”.

Se iniciará la actualización del firmware.


Durante la actualización, se muestra una barra de progreso en la pantalla de MusicCast CONTROLLER y el indicador de SOURCE de esta unidad parpadea en azul claro.

Una vez finalizada correctamente la actualización, en la pantalla de MusicCast CONTROLLER se indica “Actualización de firmware completada” y el indicador de SOURCE de esta unidad se ilumina en azul claro.

AVISO

- ◆ Durante la actualización del firmware, no utilice esta unidad ni desconecte el adaptador de CA o el cable de red.

NOTA

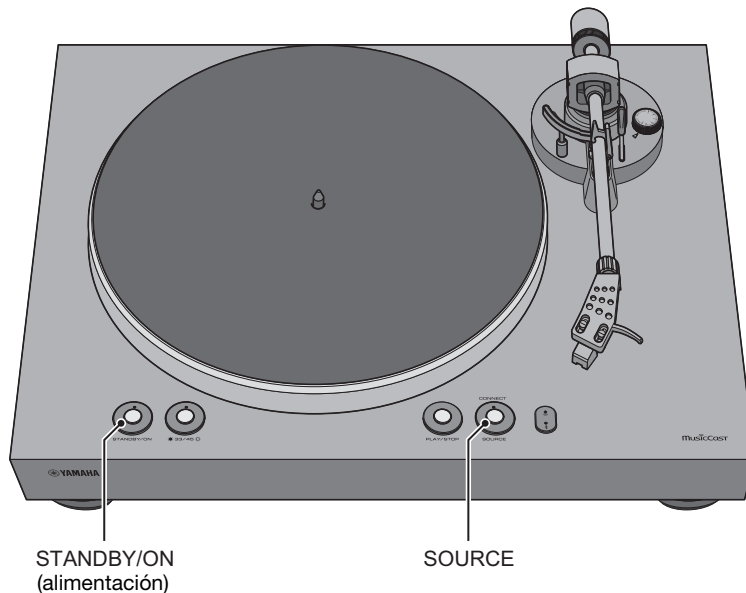
- ◆ Si ha elegido “Más tarde”, toque  (Ajustes) en MusicCast CONTROLLER y elija “Hay un nuevo firmware disponible”. Actualice el firmware siguiendo las instrucciones en pantalla.
- ◆ Cuando haya nuevo firmware disponible, el indicador de SOURCE también parpadeará en naranja cuando la alimentación de esta unidad esté encendida.
- ◆ Si no utiliza MusicCast CONTROLLER, la actualización del firmware se inicia cuando mantiene pulsado PLAY/STOP (reproducción/parada) y pulsa STANDBY/ON (alimentación) mientras la alimentación de esta unidad está en el modo de espera.
- ◆ Para obtener más información acerca del firmware, consulte el sitio web de Yamaha.

Inicialización de los ajustes

A continuación se explica cómo inicializar los ajustes de esta unidad.

- 1 **Pulse STANDBY/ON (alimentación) para poner la alimentación de esta unidad en el modo de espera.**
- 2 **Mientras mantiene pulsado SOURCE, pulse STANDBY/ON (alimentación) para encender la alimentación de esta unidad.**

Los ajustes se inicializarán.



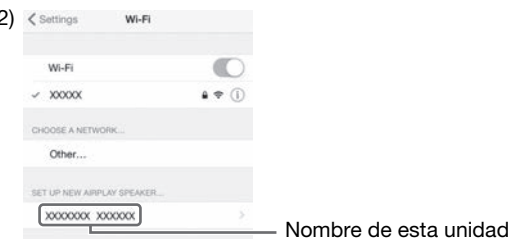
Conexión a una red usando la función WAC

Al encender la alimentación por primera vez tras la compra o la inicialización de la unidad, el indicador de (LAN inalámbrica) parpadeará (excepto cuando la unidad ya esté conectada a la red con un cable o cuando el interruptor de selección de salida de audio esté establecido en PHONO OUT). Mientras parpadea, puede conectarse a la red inalámbrica compartiendo los ajustes de red de su dispositivo iOS (función WAC).

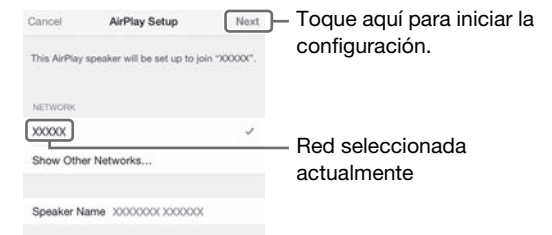
Para utilizar esta función, realice los siguientes pasos.

- 1 **En la pantalla Wi-Fi de su dispositivo iOS, seleccione esta unidad como altavoz AirPlay.**

Ejemplo (iOS 12)



- 2 **Asegúrese de que en el campo "Network" está seleccionada su red preferida y a continuación toque "Next".**



Una vez finalizada la configuración, la unidad se conectará automáticamente a la red seleccionada (punto de acceso).

Cuidados

■ Mantenimiento de esta unidad

Límpiala con un paño suave y seco. No utilice productos químicos como bencina o disolventes, ya que podrían dañar la superficie.

■ Mantenimiento de la aguja para disco

La punta de la aguja para disco es extremadamente delicada. Debe manipularla con cuidado para evitar dañarla. Si se adhiere polvo a la punta de la aguja, utilice un cepillo de punta suave para limpiarla empezando por la base de la aguja y avanzando hacia la punta, o bien utilice un limpiador disponible en el mercado destinado a este fin.

■ Mantenimiento de los discos

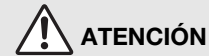
Si se adhiere suciedad a un disco puede provocar saltos o ruido. Utilice un limpiador de discos disponible en el mercado para eliminar la suciedad.

Sustitución

Sustitución de la correa

En función de las condiciones de uso, la correa se puede desgastar o romper. En tal caso, sustituya la correa. Para obtener una correa de repuesto, póngase en contacto con su centro Yamaha de atención al cliente o concesionario autorizado más cercano.

- 1 Apague la alimentación de esta unidad y de los dispositivos conectados y desconecte el adaptador de CA de esta unidad de la toma de CA.**
- 2 Retire el tapete de plato del plato.**
- 3 Separe la correa de la polea.**
- 4 Inserte los dedos en el agujero redondo del plato y levántelo.**



ATENCIÓN

- ◆ Evite dejar caer el plato. De lo contrario, se pueden producir lesiones o podría dañar la unidad.

- 5 Dé la vuelta al plato y extraiga la correa.**
- 6 Coloque la correa de repuesto en el plato.**
Evite que la correa se retuerza.
- 7 Coloque el plato en esta unidad.**
Para obtener información sobre la instalación, consulte “Montaje” en la página 13.

Sustitución de la aguja para disco

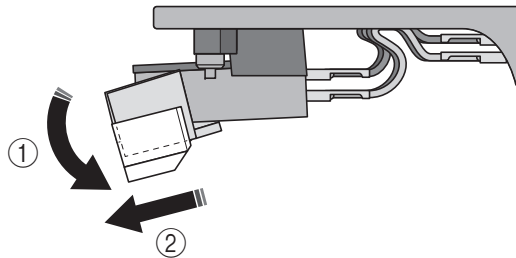
Cuando la punta de la aguja para disco se desgasta o se estropea, debe sustituirla de inmediato. Como aguja de repuesto, compre un recambio de aguja ATN3600L fabricado por Audio-Technica.

⚠ ATENCIÓN

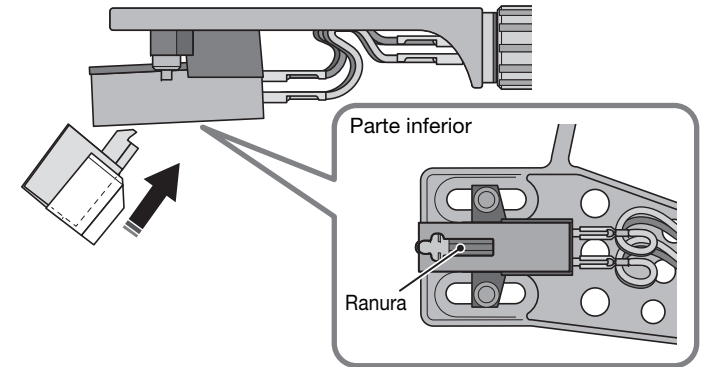
- ◆ Coloque la cubierta de la aguja antes de sustituir la aguja. La punta de la aguja podría herirle o resultar dañada.
- ◆ Evite que los niños ingieran la aguja tras extraerla.

1 Apague la alimentación de esta unidad y de los dispositivos conectados y desconecte el adaptador de CA de esta unidad de la toma de CA.

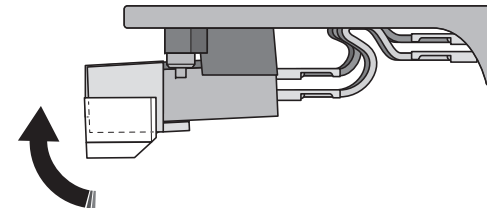
2 Mientras sujeta con los dedos el cuerpo del cartucho, presione la aguja hacia abajo en la dirección de ① y tire de ella en la dirección de ② para extraerla.



3 Mientras sujeta con los dedos el cuerpo del cartucho, inserte la pestaña de la aguja de repuesto en la ranura de la parte inferior del cartucho.



4 Presione la aguja hacia arriba hasta que oiga un chasquido.



Traslado de esta unidad

Al trasladar esta unidad, inmovilice el brazo fonocaptor para evitar que se mueva.

Resolución de problemas

Si la unidad deja de funcionar correctamente, compruebe los siguientes puntos.

Si al realizar la acción correspondiente no se soluciona el problema, o si hay un problema que no aparece en esta lista, pulse el botón STANDBY/ON (alimentación) situado en el panel superior de la unidad para apagar la alimentación, desconecte el cable de alimentación y póngase en contacto con su centro Yamaha de atención al cliente o concesionario autorizado más cercano.

General

Problema	Causa	Acción	Página de referencia
Al pulsar STANDBY/ON (alimentación) no se enciende la alimentación.	El adaptador de CA se ha desconectado de la toma DC IN de esta unidad o de la toma de CA, o no está bien enchufado.	Enchufe bien el adaptador de CA en la toma DC IN de esta unidad y en la toma de CA.	16
Al pulsar STANDBY/ON (alimentación), el indicador de STANDBY/ON (alimentación) parpadea y la alimentación no se enciende.	El circuito de protección ha funcionado tres veces consecutivas.	Para proteger la unidad, la alimentación no se volverá a encender. Póngase en contacto con un centro Yamaha de atención al cliente para reparar la unidad.	—
Al pulsar SOURCE no se cambia la fuente.	El interruptor de selección de salida de audio está establecido en PHONO OUT.	Establezca el interruptor de selección de salida de audio en LINE OUT.	12
El plato no gira.	La correa no está colocada correctamente en el plato y la polea, o bien la correa se ha soltado.	Acople correctamente la correa en el plato y la polea.	13
	STANDBY/ON (alimentación) no está encendido.	Encienda STANDBY/ON (alimentación).	20
No se escucha sonido.	El cabezal de la aguja no está acoplado correctamente en el brazo fonocaptor.	Acople correctamente el cabezal de la aguja al brazo fonocaptor.	14
	El cable estéreo RCA no se ha conectado correctamente.	Conecte correctamente el cable estéreo RCA.	16
	El ajuste de silencio del amplificador está activado.	Desactive el ajuste de silencio del amplificador.	—
	El interruptor de selección de salida de audio de esta unidad se ha ajustado de forma incorrecta.	Ajuste correctamente el interruptor de selección de salida de audio para el dispositivo conectado.	16

Problema	Causa	Acción	Página de referencia
El volumen es demasiado débil o demasiado fuerte.	El ajuste de cartucho del amplificador o del ecualizador del giradiscos es incorrecto.	Establezca correctamente el ajuste de cartucho del amplificador o del ecualizador del giradiscos para el tipo de cartucho que utilice (MM o MC).	—
	El interruptor de selección de salida de audio se ha ajustado de forma incorrecta.	Ajuste correctamente el interruptor de selección de salida de audio para el dispositivo conectado.	16
Hay un problema con el equilibrio izquierdo/derecho del sonido.	La unidad está inclinada.	Coloque la unidad en una superficie plana.	—
La velocidad de reproducción es incorrecta.	El ajuste de velocidad es incorrecto.	Establezca correctamente el ajuste de 33/45 (velocidad). Esta unidad no admite la reproducción de discos SP (78 rpm).	10
Se oye un zumbido.	El cable estéreo RCA no se ha conectado correctamente.	Conecte correctamente el cable estéreo RCA.	16
	El cabezal de la aguja no está bien fijado al brazo fonocaptor.	Utilice la contratuerca para fijar bien el cabezal de la aguja al brazo fonocaptor.	14
Se producen saltos. Se oye ruido. El sonido se distorsiona.	La presión de aguja no se ha ajustado correctamente.	Ajuste las marcas del contrapeso a la presión de aguja especificada para el cartucho.	18
	El disco está rayado o combado.	No utilice discos rayados o combados.	—
	El disco está sucio.	Utilice un limpiador de discos disponible en el mercado para limpiar el disco.	—
	El disco tiene carga estática.	Utilice un cepillo antiestático para eliminar la carga estática.	—
	La aguja está sucia.	Limpie la suciedad de la aguja.	34
	La aguja está desgastada.	Sustituya la aguja.	35
	La unidad está colocada en una ubicación sometida a vibraciones.	Coloque la unidad en una superficie plana no sometida a vibraciones.	—
Se produce retroalimentación.	La unidad está demasiado cerca de los altavoces.	Aleje la unidad de los altavoces.	—
	El volumen de reproducción es demasiado alto.	Ajuste el volumen del amplificador.	—

Bluetooth

Problema	Causa	Acción	Página de referencia
No se puede emparejar la unidad con el dispositivo Bluetooth.	El interruptor WIRELESS situado en el panel trasero de esta unidad está en la posición OFF.	Ajuste el interruptor WIRELESS situado en el panel trasero de esta unidad en AUTO.	12
	El interruptor de selección de salida de audio de esta unidad está establecido en PHONO OUT.	Establezca el interruptor de selección de salida de audio de esta unidad en LINE OUT.	12
	Ya hay otro dispositivo Bluetooth conectado a esta unidad.	Desempareje el dispositivo Bluetooth conectado en ese momento y empareje el dispositivo Bluetooth que desee.	28
	La unidad y el dispositivo Bluetooth están demasiado alejados entre sí.	Acerque el dispositivo Bluetooth a la unidad.	—
	La comunicación inalámbrica recibe interferencias de un dispositivo que utiliza una banda de frecuencia de 2,4 GHz (p. ej., horno microondas o LAN inalámbrica).	Aleje esta unidad o el dispositivo Bluetooth de dichos dispositivos. Si el enrutador LAN inalámbrico admite la banda de frecuencia de 5 GHz, cambie a una conexión que utilice dicha banda.	—
	Su dispositivo Bluetooth no es compatible con el protocolo A2DP.	Utilice un dispositivo Bluetooth que sea compatible con el protocolo A2DP.	—
	Es posible que el perfil de conexión registrado en el dispositivo Bluetooth no esté funcionando correctamente por alguna razón.	Borre el perfil Bluetooth en el dispositivo Bluetooth y, a continuación, vuelva a conectar el dispositivo Bluetooth a esta unidad.	—
	La clave de acceso de los dispositivos, como por ejemplo un adaptador Bluetooth, que desea emparejar con esta unidad es diferente de "0000".	Utilice un dispositivo de conexión con una clave de acceso "0000".	—
No se escucha sonido o el sonido se corta intermitentemente.	El nivel de volumen del dispositivo Bluetooth es demasiado bajo.	Aumente el nivel de volumen del dispositivo Bluetooth.	—
	El dispositivo Bluetooth no se ha ajustado para enviar señales de audio a esta unidad.	En el dispositivo Bluetooth, seleccione esta unidad como el destino de salida de audio.	28
	La conexión Bluetooth ha finalizado.	Vuelva a realizar las operaciones de conexión Bluetooth.	28
	La unidad y el dispositivo Bluetooth están demasiado alejados entre sí.	Acerque el dispositivo Bluetooth a la unidad.	—
	La comunicación inalámbrica recibe interferencias de un dispositivo que utiliza una banda de frecuencia de 2,4 GHz (p. ej., horno microondas o LAN inalámbrica).	Aleje esta unidad o el dispositivo Bluetooth de dichos dispositivos. Si el enrutador LAN inalámbrico admite la banda de frecuencia de 5 GHz, cambie a una conexión que utilice dicha banda.	—

Red

Problema	Causa	Acción	Página de referencia
No se puede utilizar la función de red.	Los parámetros de red (dirección IP) no se han obtenido correctamente.	Active la función del servidor DHCP en el enrutador.	—
	El interruptor de selección de salida de audio de esta unidad está establecido en PHONO OUT.	Establezca el interruptor de selección de salida de audio de esta unidad en LINE OUT.	12
	El interruptor WIRELESS situado en el panel trasero de esta unidad está en la posición OFF.	Ajuste el interruptor WIRELESS situado en el panel trasero de esta unidad en AUTO.	12
	Está intentando conectarse a un enrutador de tipo IPv6.	Esta unidad no es compatible con redes IPv6. Conéctela a una red IPv4.	—
La unidad no puede conectarse a Internet a través de un enrutador LAN inalámbrico (punto de acceso).	El enrutador LAN inalámbrico (punto de acceso) está apagado.	Encienda el enrutador LAN inalámbrico (punto de acceso).	—
	La unidad y el enrutador LAN inalámbrico (punto de acceso) están demasiado separados.	Coloque la unidad y el enrutador LAN inalámbrico (punto de acceso) cerca entre sí.	—
	Hay un obstáculo entre la unidad y el enrutador LAN inalámbrico (punto de acceso).	Retire el obstáculo que existe entre esta unidad y el enrutador LAN inalámbrico (punto de acceso).	—
No se puede usar la red inalámbrica.	Puede haber cerca un dispositivo emitiendo ondas electromagnéticas (como un horno microondas, un dispositivo inalámbrico, etc.).	Cuando conecte la unidad de forma inalámbrica, no la utilice cerca de dispositivos que emitan ondas electromagnéticas.	—
	El acceso a la red está restringido por los ajustes de firewall del enrutador LAN inalámbrico (punto de acceso).	Compruebe los ajustes de firewall del enrutador LAN inalámbrico (punto de acceso).	—
No se puede detectar el ordenador (servidor).	Es posible que los ajustes de uso compartido de medios del PC (o servidor) sean incorrectos.	Modifique los ajustes de uso compartido de medios para que la unidad pueda acceder a las carpetas del PC (o servidor).	—
	El acceso está restringido a causa de los ajustes de seguridad del PC (o servidor) o del enrutador.	Compruebe los ajustes de seguridad del PC (o servidor) o del enrutador.	—
	La unidad y el PC no están conectados a la misma red.	Compruebe los ajustes de conexión de la red y del enrutador para confirmar que están conectados a la misma red.	—

Problema	Causa	Acción	Página de referencia
Los archivos del PC (o servidor) no se muestran (o no se reproducen).	La unidad o el PC (o servidor) no admiten el formato de archivo.	Asegúrese de utilizar un formato de archivo que admita la unidad y el PC.	41
No se puede reproducir la radio de Internet.	La emisora de radio de Internet seleccionada está fuera de servicio actualmente.	Es posible que haya un problema de red en la emisora de radio o que se haya detenido el servicio de transmisión. Intente reproducir la emisora más tarde o seleccione otra emisora.	—
	La emisora de radio seleccionada en ese momento emite silencio.	Algunas emisoras de radio de Internet emiten silencio a horas del día concretas. En este caso, no existe un problema de recepción, pero no se emitirá audio. Intente reproducir la emisora más tarde o seleccione otra emisora.	—
	El acceso a esta red está restringido por los ajustes de firewall de los dispositivos de red (como el enrutador).	Compruebe los ajustes de firewall de los dispositivos. La radio de Internet solo puede reproducirse a través del puerto designado por cada emisora de radio. El número del puerto varía según la emisora de radio.	—
El dispositivo iOS no detecta la unidad cuando se utiliza AirPlay.	Es posible que esté utilizando un enrutador que admita varios SSID.	La función de separador de red del enrutador puede estar bloqueando el acceso a la unidad. Si va a conectar un dispositivo iOS a la unidad, utilice un SSID que permita el acceso a la unidad. (Intente conectarse al SSID principal).	—
La unidad no se detecta cuando se utiliza una aplicación específica en un dispositivo móvil.	La unidad y el dispositivo móvil no se encuentran en la misma red.	Compruebe los ajustes de conexión de la red y del enrutador para confirmar que están conectados a la misma red.	—
	Es posible que esté utilizando un enrutador que admita varios SSID.	La función de separador de red del enrutador puede estar bloqueando el acceso a la unidad. Si va a conectar un dispositivo iOS a la unidad, utilice un SSID que permita el acceso a la unidad. (Intente conectarse al SSID principal).	—
El firmware de esta unidad no ha podido actualizarse.	Puede que la conexión de red no sea buena.	Intente de nuevo la actualización dentro de un rato.	32
La unidad no puede conectarse al enrutador LAN inalámbrico (punto de acceso).	Es posible que esté activado el filtrado de direcciones MAC en el enrutador LAN inalámbrico (punto de acceso).	Esta unidad no puede conectarse al enrutador si el filtrado de direcciones MAC está activado. Cambie el ajuste del enrutador LAN inalámbrico (punto de acceso) para intentar conectar la unidad otra vez.	—

Dispositivos y formatos de archivo admitidos

Los dispositivos y formatos de archivo indicados a continuación pueden utilizarse con esta unidad.

Dispositivos admitidos

■ Dispositivos Bluetooth

- ◆ Puede utilizar dispositivos Bluetooth que sean compatibles con el protocolo A2DP.
- ◆ Yamaha no garantiza las conexiones con todos los dispositivos Bluetooth.

■ AirPlay

Este [Network Turntable] es compatible con AirPlay 2. Se necesita iOS 11.4 o una versión posterior.

Formatos de archivo

■ PC/NAS

Archivo	Frecuencia de muestreo (kHz)	Profundidad de bits (bit)	Velocidad de bits (kbps)	Número de canales	Compatibilidad con reproducción sin pausa
WAV *	32/44,1/48/ 88,2/96/ 176,4/192	16/24	-	2	✓
MP3	32/44,1/48	-	8-320	2	-
WMA	32/44,1/48	-	8-320	2	-
MPEG-4 AAC	32/44,1/48	-	8-320	2	-
FLAC	32/44,1/48/ 88,2/96/ 176,4/192	16/24	-	2	✓
ALAC	32/44,1/48/ 88,2/96	16/24	-	2	✓
AIFF	32/44,1/48/ 88,2/96/ 176,4/192	16/24	-	2	✓
DSD	2,8 MHz/ 5,6 MHz 11,2 MHz	1	-	2	-

* Solo formato PCM lineal

- ◆ Para reproducir archivos FLAC almacenados en un PC/NAS, debe instalar en el PC software de servidor que admita el uso compartido de archivos FLAC a través de DLNA o usar un dispositivo NAS compatible con archivos FLAC. Para obtener más información, consulte el manual de instrucciones del software de servidor.
- ◆ No se puede reproducir contenido codificado con gestión de derechos digitales (DRM).

Marcas comerciales



El uso del distintivo Works with Apple significa que un accesorio ha sido diseñado específicamente para funcionar con la tecnología identificada en el distintivo, y que el desarrollador ha certificado que cumple con los estándares de rendimiento de Apple.

Apple, AirPlay, Apple TV, Apple Watch, iPad, iPad Air, iPad Pro, iPhone, Lightning y iTunes son marcas comerciales de Apple Inc. registradas en los Estados Unidos y en otros países.

App StoreSM

App Store es una marca de servicio de Apple Inc.

WindowsTM

Windows es una marca comercial registrada de Microsoft Corporation en los EE. UU. y en otros países.

Internet Explorer, Windows Media Audio y Windows Media Player son marcas comerciales registradas o marcas comerciales de Microsoft Corporation en los Estados Unidos o en otros países.

AndroidTM Google PlayTM

Android y Google Play son marcas comerciales de Google LLC.



El logotipo Wi-Fi CERTIFIEDTM es una marca de certificación de Wi-Fi Alliance[®].

Wi-Fi, Wi-Fi CERTIFIED y Wi-Fi Protected Setup son marcas comerciales registradas o marcas comerciales de Wi-Fi Alliance[®].



Los logotipos y marca denominativa de Bluetooth[®] son marcas comerciales registradas propiedad de Bluetooth SIG, Inc. y cualquier uso de estas marcas por parte de Yamaha Corporation se efectúa con licencia.

El resto de marcas comerciales y nombres comerciales corresponden a sus respectivos propietarios.



La ecoetiqueta Yamaha Eco-Label certifica los productos que presentan un nivel superior de respeto por el medio ambiente.



MusicCast es una marca comercial o marca comercial registrada de Yamaha Corporation.

Explicaciones respecto a GPL/LGPL

Este producto utiliza software de código abierto GPL/LGPL en algunas secciones. Solamente tiene el derecho de obtener, duplicar, modificar y redistribuir el código abierto. Para información sobre el software de código abierto GPL/LGPL, cómo obtenerlo, y la licencia de GPL/LGPL, consulte la Yamaha Corporation página web:

<https://download.yamaha.com/sourcecodes/musiccast/>

Licencias

Para obtener información sobre las licencias del software de terceros de este producto, consulte lo siguiente.

[http://\(dirección IP de este producto*\)/licenses.html](http://(dirección IP de este producto*)/licenses.html)

* La dirección IP de este producto se comprueba con MusicCast CONTROLLER.

Especificaciones

A continuación se describen las especificaciones de esta unidad.

Sección de plato

Método de impulsión	Impulsado por banda elástica
Motor.	Motor de CC
Velocidad de rotación	33 1/3 rpm, 45 rpm
Variación de velocidad de rotación.	±2%
Fluctuación y trémolo.	0,2%
Plato	Fundición de aluminio Diámetro: 30 cm

Sección de brazo fonocaptor

Tipo	Brazo fonocaptor recto de equilibrio estático
Longitud de brazo efectiva.	223,5 mm
Rango de ajuste de presión de aguja.	0–4 g
Peso de cartucho aceptable	15,5–19 g (incluido el cabezal de la aguja)
Proyección.	19 mm

Sección de cartucho

Tipo	Tipo MM
Tensión de salida.	2,5 mV (1 kHz, 3,54 cm/s)
Presión de aguja	3,5 ± 0,5 g
Peso del cartucho	5,0 ± 0,3 g
Altura del cartucho.	17,0 ± 0,7 mm
Peso del cabezal de la aguja	10 g (incluyendo tornillos, tuercas y cables)

Terminales de entrada/salida

Audio analógico (RCA sin balancear)
PHONO OUT×1
LINE OUT×1
NETWORK (red con cable) x1 (100Base-TX/10Base-T)

Bluetooth

Función de vinculación	
Dispositivo fuente a esta unidad (p. ej., Smartphone/Tablet)	
Códec admitido	SBC, AAC
Perfil admitido.	A2DP, AVRCP
Versión de Bluetooth	Ver. 4.2
Salida inalámbrica.	Bluetooth Clase 2
Distancia de comunicación máxima	10 m sin interferencias

Red

Compatible con AirPlay
Radio de Internet

Red inalámbrica

Estándares de red inalámbrica	IEEE 802.11 a/b/g/n/ac*
	* Ancho de banda del canal de 20 MHz solamente
Banda de frecuencia de radio	2,4 GHz, 5 GHz
WPS (Wi-Fi Protected Setup)	
Método PIN	
Métodos de seguridad disponibles	
WEP	
WPA2-PSK (AES)	
Mixed Mode (método mixto)	

Sección de audio (Red, Bluetooth)

Nivel de salida (1 kHz, 0 dB, Fs 44,1 kHz)	2,0 ± 0,3 V
Relación señal a ruido (red IHF-A) (cero a infinito, Fs 44,1 kHz)	
.	110 dB o superior
Rango dinámico (1 kHz, -60 dB, Fs 44,1 kHz)	100 dB o superior
Distorsión armónica (1 kHz, 0 dB, Fs 44,1 kHz)	0,003% o inferior
Respuesta de frecuencia	
Fs 44,1 kHz	2 Hz-20 kHz (+0/-3 dB)
Fs 48 kHz	2 Hz-24 kHz (+0/-3 dB)
Fs 96 kHz	2 Hz-48 kHz (+0/-3 dB)
Fs 192 kHz	2 Hz-96 kHz (+0/-6 dB)

Sección de audio (PHONO)

Nivel de salida	
PHONO OUT (1 kHz, 3,54 cm/s)	2,5 mV ±3 dBV
LINE OUT.	450 mV (-7 dBV)
Relación señal a ruido (ponderación A, 20 kHz LPF)	67 dB o superior

General

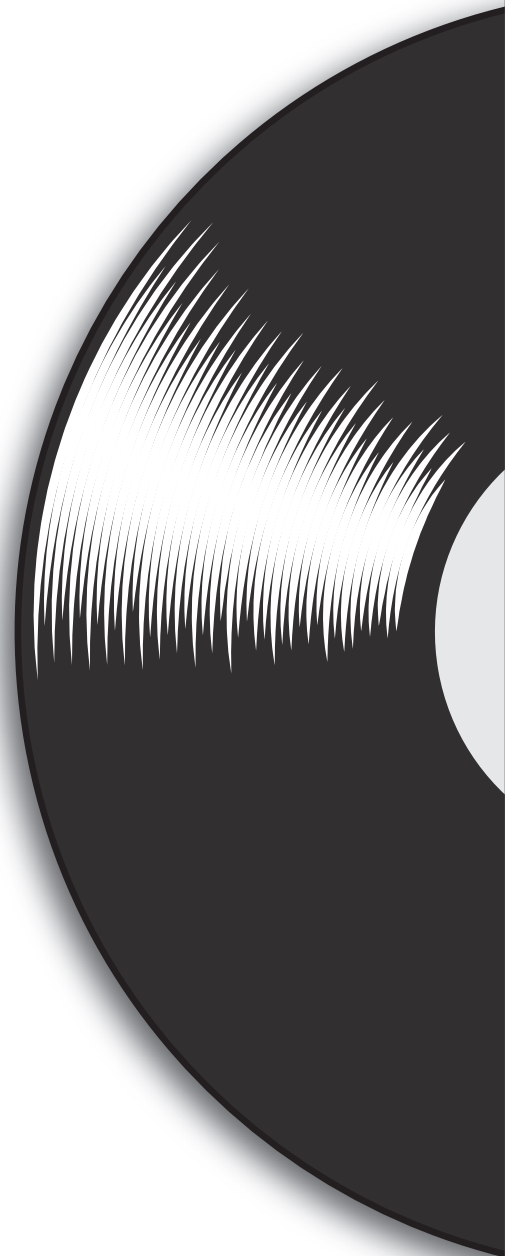
Alimentación de adaptador de CA	
Entrada	100-240 V CA 50/60 Hz
Salida	12 V 1 A
Consumo eléctrico	6 W
Reposo eco	0,3 W
Red en espera activada/Bluetooth en espera desactivado	
Por cable	2,0 W
Inalámbrica (Wi-Fi)	2,0 W
Red en espera activada/Bluetooth en espera activado	
Por cable	2,0 W
Inalámbrica (Wi-Fi)	2,0 W
Peso	5,7 kg
Dimensiones (ancho × alto × profundo)	450 × 136 × 368 mm
	(incluidos patas y salientes)

- ♦ El contenido de este manual se aplica a las últimas especificaciones según la fecha de publicación. Para obtener el último manual, acceda al sitio web de Yamaha y descargue el archivo del manual.

Important Notice: Precautions and legal information for customers in European Economic Area (EEA), Switzerland and Turkey

Precautions and legal information:	English
For detailed precaution and legal information about this Yamaha product for customers in EEA*, Switzerland and Turkey, please visit the website address below or contact the Yamaha representative office in your country. * EEA: European Economic Area	
Sicherheitsvorkehrungen und rechtliche Hinweise:	Deutsch
Ausführliche Sicherheitsvorkehrungen und rechtliche Hinweise zu diesem Yamaha-Produkt für Kunden im EWR*, der Schweiz und der Türkei finden Sie auf der unten angegebenen Website, oder wenden Sie sich an eine Yamaha-Vertretung in Ihrem Land. * EWR: Europäischer Wirtschaftsraum	
Consignes et informations légales:	Français
Les clients résidant dans l'EEE*, en Suisse et en Turquie et souhaitant consulter les consignes détaillées et les informations légales sur ce produit Yamaha peuvent se rendre sur le site Web ci-dessous ou contacter leur bureau de représentation Yamaha local. * EEE : Espace économique européen	
Voorzorgen en juridische informatie:	Nederlands
Ga voor uitgebreide voorzorgen en juridische informatie met betrekking tot dit Yamaha-product voor klanten in de EER*, Zwitserland en Turkije naar de hieronder vermelde website of neem contact op met de Yamaha-vertegenwoordiger voor uw land. * EER: Europese Economische Ruimte	
Precauciones e información legal:	Español
Para obtener más detalles sobre las precauciones y la información legal de este producto Yamaha para clientes en el EEE*, Suiza y Turquía, visite el siguiente sitio web o póngase en contacto con el representante de Yamaha en su país. * EEE: Espacio Económico Europeo	
Precauzioni e informazioni legali:	Italiano
Per precauzioni e informazioni legali dettagliate su questo prodotto Yamaha per clienti in SEE*, Svizzera e Turchia, visitare il sito Web all'indirizzo seguente o rivolgersi all'ufficio di rappresentanza Yamaha nel proprio paese. *SEE: Spazio Economico Europeo	
Precauções e informações legais:	Português
Para obterem precauções detalhadas e informações legais sobre este produto da Yamaha, os clientes do EEE*, Suíça e Turquia devem visitar o endereço do website abaixo indicado ou contactar o representante da Yamaha nos respetivos países. * EEE: Espaço Económico Europeu	
Προφυλάξεις και νομικές πληροφορίες:	Ελληνικά
Για λεπτομερείς προφυλάξεις και νομικές πληροφορίες σχετικά με αυτό το προϊόν Yamaha για πελάτες στον ΕΟΧ*, την Ελλάδα και την Τουρκία, επισκεφτείτε την παρακάτω τοποθεσία web ή επικοινωνήστε με το γραφείο του αντιπροσώπου της Yamaha στη χώρα σας. * ΕΟΧ: Ευρωπαϊκός Οικονομικός Χώρος	
Försiktighetsåtgärder och juridisk information:	Svenska
Besök webbplatsen med adress nedan eller kontakta ditt lands Yamaha-representant för detaljerad juridisk information och information om försiktighetsåtgärder för kunder i EES*, Schweiz och Turkiet. * EES: Europeiska ekonomiska samarbetsområdet	
Forholdsregler og juridiske oplysninger:	Dansk
Kunder i EØS-landene*, Schweiz og Tyrkiet kan få detaljerede forholdsregler og juridiske oplysninger om dette Yamaha-produkt ved at gå til nedenstående websted eller kontakte Yamahas repræsentationskontor i deres land. * EØS: Det Europæiske Økonomiske Samarbejdsområde	
Varotoimet ja oikeudelliset tiedot:	Suomi
Tämän Yamaha-tuotteen yksityiskohtaiset varotoimet ja oikeudelliset tiedot asiakkaille ETA:ssa*, Sveitsissä ja Turkissa ovat saatavilla alla olevasta osoitteesta tai paikalliselta Yamaha-edustajalta. *ETA: Euroopan talousalue	

Środki ostrożności i informacje prawne:	Polski
Szczegółowe środki ostrożności i informacje prawne dotyczące niniejszego produktu firmy Yamaha dla klientów w obszarze EOG*, Szwajcarii i Turcji są dostępne w witrynie internetowej pod adresem podanym poniżej oraz u krajowego przedstawiciela firmy Yamaha. * EOG: Europejski Obszar Gospodarczy	
Bezpečnostní opatření a právní informace:	Čeština
Podrobná bezpečnostní opatření a právní informace související s tímto produktem Yamaha pro zákazníky v EHP*, Švýcarsku a Turecku najdete na webových stránkách uvedených níže, případně si je můžete vyžádat u zastoupení společnosti Yamaha ve vaší zemi. * EHP: Evropský hospodářský prostor	
Óvórendszabályok és jogi információk:	Magyar
A Yamaha termékkel kapcsolatos, az EGT*-országokban, Svájcban és Törökországban érvényes óvórendszabályok és jogi információk megtekintéséhez keresse fel az alább feltüntetett webhelyet, vagy érdeklődjön országá Yamaha képviselőjénél. *EGT: Európai Gazdasági Térség	
Ettevaatusabinõud ja õigusteabe:	Eesti
EMP*, Šveitsi ja Türgi klientide mõeldud üksikasjalikud ettevaatusabinõud ja õigusteabe selle Yamaha toote kohta leiate alljärgnevalt veebisaidilt või pöördele vastavas riigis olevasse Yamaha esinduskontorisse. * EMP: Euroopa Majanduspiirkond	
Piesardzības pasākumi un juridiskie aspekti:	Latviski
Lai pircēji no EEZ*, Šveices un Turcijas uzzinātu vairāk par piesardzības pasākumiem un juridiskajiem aspektiem, apmeklējiet tālāk norādīto tīmekļa vietni vai sazinieties ar „Yamaha” pārstāvniecību savā valstī. * EEZ: Eiropas Ekonomikas zona	
Atsargumo priemonės ir teisinė informacija:	Lietuvių k.
Šio EEE*, Šveicarijos ir Turkijos klientams skirto „Yamaha” gaminio išsamias atsargumo priemonės ir teisinė informacija rasite toliau nurodytoje žiniatinklio svetainėje arba jų teiraukitės savo šalies „Yamaha” atstovybėje. * EEE: Europos ekonominė erdvė	
Preventívne opatrenia a právne informácie:	Slovensky
Podrobnosti k preventívnym opatreniam a právnym informáciám týkajúcim sa tohto výrobku od spoločnosti Yamaha pre zákazníkov v EHP*, Švajčiarsku a Turecku nájdete na webovej stránke uvedenej nižšie alebo sa obráťte na zastúpenie spoločnosti Yamaha vo vašej krajine. * EHP: Európsky hospodársky priestor	
Previdnostni ukrepi in pravne informacije:	Slovenščina
Za podrobne previdnostne ukrepe in pravne informacije o tem izdelku Yamaha za stranke v EGP*, Švici in Turčiji obiščite spodnje spletno mesto ali stopite v stik s predstavništvom Yamaha v svoji državi. * EGP: Evropski gospodarski prostor	
Предпазни мерки и правна информация:	Български
За подробни предпазни мерки и правна информация относно този продукт на Yamaha за потребители в ЕИП*, Швейцария и Турция, моля, посетете адреса на уеб сайта по-долу или се свържете с представителство на Yamaha във вашата държава. * ЕИП: Европейско икономическо пространство	
Măsuri de precauție și informații juridice:	Română
Pentru detalii privind măsurile de precauție și informații juridice referitoare la acest produs Yamaha pentru clienții din ZEE*, Elveția și Turcia, vizitați site-ul web de la adresa de mai jos sau contactați biroul reprezentanței Yamaha din țara dvs. *ZEE: Zona Economică Europeană	
Mjere opreza i pravne informacije:	Hrvatski
Detaljne mjere opreza i pravne informacije o ovom Yamahinu proizvodu za kupce u EGP-*, Švicarskoj i Turskoj potražite na mrežnoj stranici u nastavku ili se obratite predstavniku tvrtke Yamaha za svoju zemlju. * EGP: Europski gospodarski prostor	
Önlemler ve yasal bilgiler:	Türkçe
AEA*, İsviçre ve Türkiye'de bulunan ve bu Yamaha ürününün önlemleri ve yasal bilgileri hakkında daha fazla bilgi edinmek isteyen müşterilerimiz aşağıda verilen web sitesini ziyaret edebilir veya ilgili ülkede bulunan yetkili Yamaha temsilcisine iletişime geçebilir. *AEA: Avrupa Ekonomik Alanı	



YAMAHA CORPORATION

10-1 Nakazawa-cho, Chuo-ku, Hamamatsu, 430-8650 Japan

Yamaha Global Site
<https://www.yamaha.com/>
Yamaha Downloads
<https://download.yamaha.com/>

© 2018 Yamaha Corporation

Published 10/2024 IPOD-D0

AV21-0075