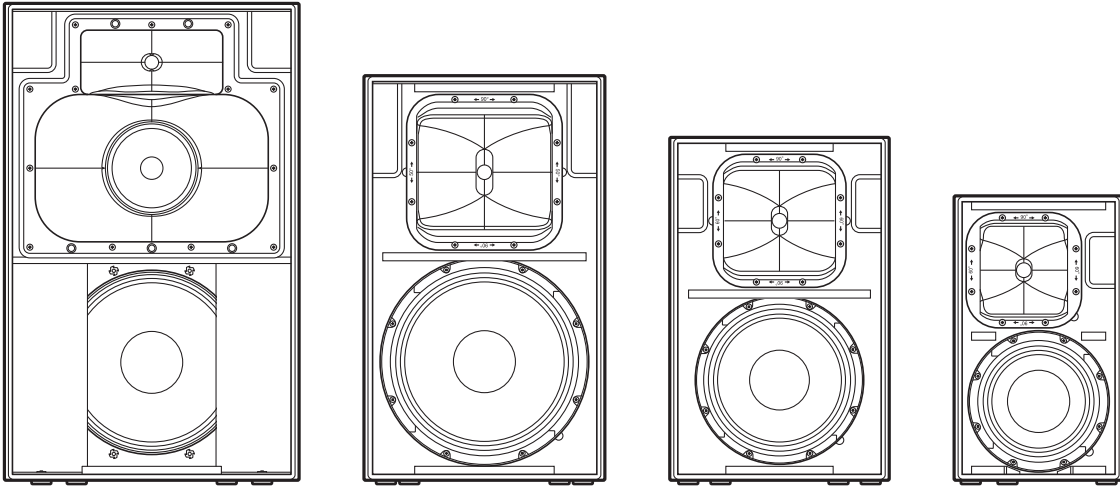


POWERED LOUDSPEAKER

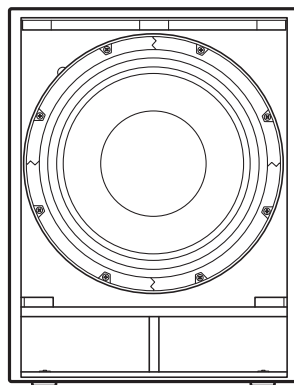
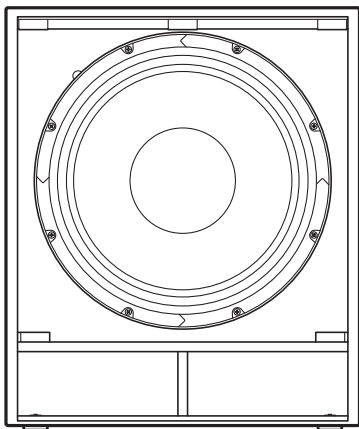
DZR 315
DZR 315-D
DZR 15
DZR 15-D

DZR 12
DZR 12-D
DZR 10
DZR 10-D


POWERED SUBWOOFER

DXS 18xLF
DXS 18xLF-D

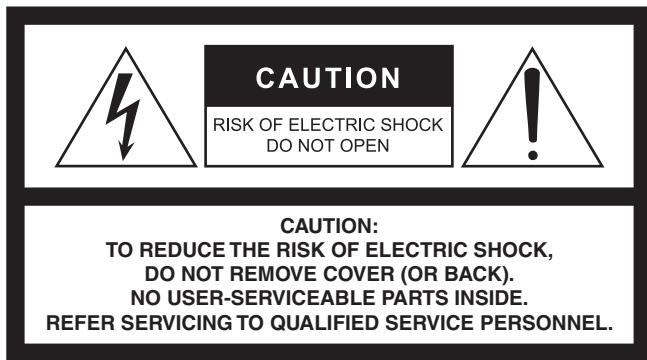
DXS 15xLF
DXS 15xLF-D



EN Owner's Manual
DE Bedienungsanleitung
FR Mode d'emploi
ES Manual de instrucciones
PT Manual do Proprietário

IT Manuale di istruzioni
RU Руководство пользователя
KO 사용설명서
JA 取扱説明書

POWERED SPEAKER SYSTEM



The above warning is located on the rear of the unit.



L'avertissement ci-dessus est situé sur l'arrière de l'unité.

Explanation of Graphical Symbols Explication des symboles



The lightning flash with arrowhead symbol within an equilateral triangle is intended to alert the user to the presence of uninsulated "dangerous voltage" within the product's enclosure that may be of sufficient magnitude to constitute a risk of electric shock to persons. L'éclair avec une flèche à l'intérieur d'un triangle équilatéral est destiné à attirer l'attention de l'utilisateur sur la présence d'une « tension dangereuse » non isolée à l'intérieur de l'appareil, pouvant être suffisamment élevée pour constituer un risque d'électrocution.



The exclamation point within an equilateral triangle is intended to alert the user to the presence of important operating and maintenance (servicing) instructions in the literature accompanying the product. Le point d'exclamation à l'intérieur d'un triangle équilatéral est destiné à attirer l'attention de l'utilisateur sur la présence d'instructions importantes sur l'emploi ou la maintenance (réparation) de l'appareil dans la documentation fournie.

IMPORTANT SAFETY INSTRUCTIONS

- 1 Read these instructions.
- 2 Keep these instructions.
- 3 Heed all warnings.
- 4 Follow all instructions.
- 5 Do not use this apparatus near water.
- 6 Clean only with dry cloth.
- 7 Do not block any ventilation openings. Install in accordance with the manufacturer's instructions.
- 8 Do not install near any heat sources such as radiators, heat registers, stoves, or other apparatus (including amplifiers) that produce heat.
- 9 Do not defeat the safety purpose of the polarized or grounding-type plug. A polarized plug has two blades with one wider than the other. A grounding type plug has two blades and a third grounding prong. The wide blade or the third prong are provided for your safety. If the provided plug does not fit into your outlet, consult an electrician for replacement of the obsolete outlet.
- 10 Protect the power cord from being walked on or pinched particularly at plugs, convenience receptacles, and the point where they exit from the apparatus.
- 11 Only use attachments/accessories specified by the manufacturer.
- 12 Use only with the cart, stand, tripod, bracket, or table specified by the manufacturer, or sold with the apparatus. When a cart is used, use caution when moving the cart/apparatus combination to avoid injury from tip-over.
- 13 Unplug this apparatus during lightning storms or when unused for long periods of time.
- 14 Refer all servicing to qualified service personnel. Servicing is required when the apparatus has been damaged in any way, such as power-supply cord or plug is damaged, liquid has been spilled or objects have fallen into the apparatus, the apparatus has been exposed to rain or moisture, does not operate normally, or has been dropped.



WARNING

TO REDUCE THE RISK OF FIRE OR ELECTRIC SHOCK, DO NOT EXPOSE THIS APPARATUS TO RAIN OR MOISTURE.

(UL60065_03)

PRÉCAUTIONS CONCERNANT LA SÉCURITÉ

- 1 Lire ces instructions.
- 2 Conserver ces instructions.
- 3 Tenir compte de tous les avertissements.
- 4 Suivre toutes les instructions.
- 5 Ne pas utiliser ce produit à proximité d'eau.
- 6 Nettoyer uniquement avec un chiffon propre et sec.
- 7 Ne pas bloquer les orifices de ventilation. Installer l'appareil conformément aux instructions du fabricant.
- 8 Ne pas installer l'appareil à proximité d'une source de chaleur comme un radiateur, une bouche de chaleur, un poêle ou tout autre appareil (y compris un amplificateur) produisant de la chaleur.
- 9 Ne pas modifier le système de sécurité de la fiche polarisée ou de la fiche de terre. Une fiche polarisée dispose de deux broches dont une est plus large que l'autre. Une fiche de terre dispose de deux broches et d'une troisième pour le raccordement à la terre. Cette broche plus large ou cette troisième broche est destinée à assurer la sécurité de l'utilisateur. Si la fiche équipant l'appareil n'est pas compatible avec les prises de courant disponibles, faire remplacer les prises par un électricien.
- 10 Acheminer les cordons d'alimentation de sorte qu'ils ne soient pas piétinés ni coincés, en faisant tout spécialement attention aux fiches, prises de courant et au point de sortie de l'appareil.
- 11 Utiliser exclusivement les fixations et accessoires spécifiés par le fabricant.
- 12 Utiliser exclusivement le chariot, le stand, le trépied, le support ou la table recommandés par le fabricant ou vendus avec cet appareil. Si l'appareil est posé sur un chariot, déplacer le chariot avec précaution pour éviter tout risque de chute et de blessure.
- 13 Débrancher l'appareil en cas d'orage ou lorsqu'il doit rester hors service pendant une période prolongée.
- 14 Confier toute réparation à un personnel qualifié. Faire réparer l'appareil s'il a subi tout dommage, par exemple si la fiche ou le cordon d'alimentation est endommagé, si du liquide a coulé ou des objets sont tombés à l'intérieur de l'appareil, si l'appareil a été exposé à la pluie ou à de l'humidité, si l'appareil ne fonctionne pas normalement ou est tombé.



AVERTISSEMENT

POUR RÉDUIRE LES RISQUES D'INCENDIE OU DE DÉCHARGE ÉLECTRIQUE, N'EXPOSEZ PAS CET APPAREIL À LA PLUIE OU À L'HUMIDITÉ.

(UL60065_03)

FCC INFORMATION (U.S.A.)

1. IMPORTANT NOTICE: DO NOT MODIFY THIS UNIT!

This product, when installed as indicated in the instructions contained in this manual, meets FCC requirements. Modifications not expressly approved by Yamaha may void your authority, granted by the FCC, to use the product.

2. IMPORTANT: When connecting this product to accessories and/or another product use only high quality shielded cables. Cable/s supplied with this product MUST be used. Follow all installation instructions. Failure to follow instructions could void your FCC authorization to use this product in the USA.

3. NOTE: This product has been tested and found to comply with the requirements listed in FCC Regulations, Part 15 for Class "B" digital devices. Compliance with these requirements provides a reasonable level of assurance that your use of this product in a residential environment will not result in harmful interference with other electronic devices. This equipment generates/uses radio frequencies and, if not installed and used according to the instructions found in the users manual, may cause interference harmful to the operation of other electronic devices. Compliance with FCC regulations does not guarantee that interference will not

occur in all installations. If this product is found to be the source of interference, which can be determined by turning the unit "OFF" and "ON"; please try to eliminate the problem by using one of the following measures:

Relocate either this product or the device that is being affected by the interference.

Utilize power outlets that are on different branch (circuit breaker or fuse) circuits or install AC line filter/s.

In the case of radio or TV interference, relocate/reorient the antenna. If the antenna lead-in is 300 ohm ribbon lead, change the lead-in to co-axial type cable.

If these corrective measures do not produce satisfactory results, please contact the local retailer authorized to distribute this type of product. If you can not locate the appropriate retailer, please contact Yamaha Corporation of America, Electronic Service Division, 6600 Orangethorpe Ave, Buena Park, CA90620

The above statements apply ONLY to those products distributed by Yamaha Corporation of America or its subsidiaries.

* This applies only to products distributed by YAMAHA CORPORATION OF AMERICA.

(class B)

COMPLIANCE INFORMATION STATEMENT (DECLARATION OF CONFORMITY PROCEDURE)

Responsible Party : Yamaha Corporation of America

Address : 6600 Orangethorpe Ave., Buena Park, Calif. 90620

Telephone : 714-522-9011

Type of Equipment : POWERED SPEAKER SYSTEM

Model Name : DZR315-D, DZR15-D, DZR12-D, DZR10-D, DXS18XLF-D, DXS15XLF-D

This device complies with Part 15 of the FCC Rules.

Operation is subject to the following two conditions:

- 1) this device may not cause harmful interference, and
- 2) this device must accept any interference received including interference that may cause undesired operation.

See user manual instructions if interference to radio reception is suspected.

* This applies only to products distributed by YAMAHA CORPORATION OF AMERICA.

(FCC DoC)

In Finland: Laitte on liitettävä suojamaadoituskoskettimilla varustettuun pistorasiaan.

In Norway: Apparatet må tilkoples jordet stikkontakt.

In Sweden: Apparatens skall anslutas till jordat uttag.

(class I hokuo)

PRECAUTIONS

PLEASE READ CAREFULLY BEFORE PROCEEDING

Please keep this manual in a safe place for future reference.



WARNING

Always follow the basic precautions listed below to avoid the possibility of serious injury or even death from electrical shock, short-circuiting, damages, fire or other hazards. These precautions include, but are not limited to, the following:

If you notice any abnormality

- If any of the following problems occur, immediately turn off the power switch and disconnect the electric plug from the outlet.
 - The power cord or plug becomes frayed or damaged.
 - Unusual smells or smoke are emitted.
 - Some object, or water has been dropped into the product.
 - There is a sudden loss of sound during use of the product.
 - Cracks or other visible damage appear on the product.
- Then have the product inspected or repaired by qualified Yamaha service personnel.

Power supply/power cord

- Do not place the power cord near heat sources such as heaters or radiators, and do not excessively bend or otherwise damage the cord, place heavy objects on it, or place it in a position where anyone could walk on, trip over, or roll anything over it.
- Only use the voltage specified as correct for the product. The required voltage is printed on the name plate of the product.
- Use only the supplied power cord/plug.

If you intend to use the product in an area other than in the one you purchased, the included power cord may not be compatible. Please check with your Yamaha dealer.
- Check the electric plug periodically and remove any dirt or dust which may have accumulated on it.
- Make sure to fully insert the electric plug to prevent electric shocks or fire.
- When setting up the product, make sure that the AC outlet you are using is easily accessible. If some trouble or malfunction occurs, immediately turn off the power switch and disconnect the plug from the outlet. Even when the power switch is turned off, as long as the power cord is not unplugged from the wall AC outlet, the product will not be disconnected from the power source.
- Remove the electric plug from the outlet when the product is not to be used for extended periods of time.
- Do not touch the product or the electric plug during an electrical storm.
- Be sure to connect to an appropriate outlet with a protective grounding connection. Improper grounding can result in electrical shock, fire, or damage.

Do not open

- This product contains no user-serviceable parts. Do not attempt to disassemble the internal parts or modify them in any way.

Water warning/Fire warning

- Do not expose the product to rain, use it near water or in damp or wet conditions, or place on it any containers (such as vases, bottles or glasses) containing liquids which might spill into any openings.
- Never insert or remove an electric plug with wet hands.
- Do not place any burning items or open flames near the product, since they may cause a fire.

Hearing loss

- Before connecting the product to other devices, turn off the power for all devices. Also, before turning the power of all devices on or off, make sure that all volume levels are set to the minimum. Failing to do so may result in hearing loss, electric shock, or device damage.
- When turning on the AC power in your audio system, always turn on the product LAST, to avoid hearing loss and speaker damage. When turning the power off, the product should be turned off FIRST for the same reason.



CAUTION

Always follow the basic precautions listed below to avoid the possibility of physical injury to you or others, or damage to the product or other property. These precautions include, but are not limited to, the following:

Power supply/power cord

- When removing the electric plug from the product or an outlet, always hold the plug itself and not the cord. Pulling by the cord can damage it.

Location and connection

- Do not place the product in an unstable position where it might accidentally fall over and cause injuries.
- Keep the device out of reach of children. This product is not suitable for use in locations where children are likely to be present.
- Do not block the vents. This product has ventilation holes at the rear to prevent the internal temperature from becoming too high. In particular, do not place the product on its side or upside down. Inadequate ventilation can result in overheating, possibly causing damage to the product(s), or even fire.
- When attempting to dissipate heat on the product, when installing it:
 - Do not use the product in a confined, poorly-ventilated location.

Inadequate ventilation can result in overheating, possibly causing damage to the product(s), or even fire. Make sure that there is adequate space around the rear panel: at least 30 cm above, 30 cm at the sides and 30 cm behind.
- Do not place the product in a location where it may come into contact with corrosive gases or salt air. Doing so may result in malfunction.
- Before moving the product, remove all connected cables.

- When transporting or moving the product, always use two or more people. Attempting to lift the product by yourself may damage your back, result in other injury, or cause damage to the product itself.
- Do not use the speaker's handles for suspended installation. Doing so can result in damage or injury.
- Do not hold the bottom of the product when transporting or moving it. In doing so, you may pinch your hands under the product, and result in injury.
- Do not press the rear panel of the product against the wall. Doing so may cause the plug to come in contact with the wall and detach from the power cord, resulting in short circuiting, malfunction, or even fire.
- If you use the pole socket for mounting a satellite speaker using a speaker pole, carefully read the section "Dual pole sockets" on page 7. Use of any other size pole may cause the product to fall, and result in injury or damage to the internal components.
- Always consult qualified Yamaha service personnel if the product installation requires construction work, and make sure to observe the following precautions.
 - Choose mounting hardware and an installation location that can support the weight of the product.
 - Avoid locations that are exposed to constant vibration.
 - Use the required tools to install the product.
 - Inspect the product periodically.

Maintenance

- Remove the power plug from the AC outlet when cleaning the product.

Handling caution

- Do not insert your fingers or hands in any gaps or openings on the product (vents, ports, etc.).
- Do not operate the product if the sound is distorting. Prolonged use in this condition could cause overheating and result in fire.

Yamaha cannot be held responsible for damage caused by improper use or modifications to the product, or data that is lost or destroyed.

NOTICE

To avoid the possibility of malfunction/damage to the product, damage to data, or damage to other property, follow the notices below.

■ Handling and maintenance

- Do not use the product in the vicinity of a TV, radio, AV equipment, mobile phone, or other electric products. Otherwise, the product, TV, or radio may generate noise.
- Do not expose the product to excessive dust or vibration, or extreme cold or heat (such as in direct sunlight, near a heater, or in a car during the day), in order to prevent the possibility of panel disfiguration, unstable operation, or damage to the internal components.
- Condensation can occur in the product due to rapid, drastic changes in ambient temperature—when the product is moved from one location to another, or air conditioning is turned on or off, for example. Using the product while condensation is present can cause damage. If there is reason to believe that condensation might have occurred, leave the product for several hours without turning on the power until the condensation has completely dried out.
- Do not place the speaker face down with the grille attached, as deformation of the grille may result.
- When placing the speaker face down, always place it on a flat surface.
- Do not touch the speaker driver unit.
- Air blowing out of the bass reflex ports is normal, and often occurs when the speaker is handling program material with heavy bass content.
- During extreme changes in temperature or humidity, condensation may occur and water may collect on the surface of the product. If water is left, the wooden parts may absorb the water and be damaged. Make sure to wipe any water off immediately with a soft cloth.

■ Connectors

- XLR-type connectors are wired as follows (IEC60268 standard): pin 1: ground, pin 2: hot (+), and pin 3: cold (-).

Information

■ About functions/data bundled with the product

- This product uses Dante Ultimo. Refer to the Audinate website (English) for details on the open source licenses for the particular software.
<https://www.audinate.com/software-licensing>

■ About this manual

- The illustrations and LCD screens as shown in this manual are for instructional purposes only.
- The bitmap fonts used in this instrument have been provided by and are the property of Ricoh Co., Ltd.
- The company names and product names in this manual are the trademarks or registered trademarks of their respective companies.
- Software may be revised and updated without prior notice.

■ About disposal

- This product contains recyclable components. When disposing of this product, please contact the appropriate local authorities.

Introduction

Thank you for purchasing the Yamaha DZR(-D) series POWERED LOUDSPEAKER and DXS-XLF(-D) series POWERED SUBWOOFER. (See the series product lineup below.) These products are designed for live performance, sound reinforcement and fixed installation sound system applications. This manual explains how to install, set up, and configure the connections for the installers, constructors, or general users familiar with speakers. Please read this manual thoroughly before you begin using this product in order to get the most out of its various functions. After reading this manual, please keep it available for future reference.

- The example illustrations used in this manual are taken from the DZR12-D and DXS18XLF-D, if not otherwise specified.

DZR(-D), DXS-XLF(-D) Series Product Lineup

Type	Standard Model	Dante Model (-D)
Full Range	3-way 15"	DZR315
	2-way 15"	DZR15
	2-way 12"	DZR12
	2-way 10"	DZR10
Subwoofer	18"	DXS18XLF
	15"	DXS15XLF

Contents

PRECAUTIONS	4	Basic Settings	13
Introduction	6	Dante Connection	14
Main Features	6	Cardioid Mode Settings	15
Structure of Manuals	6	Rotatable Horn	16
Included Accessories	6	Installation Examples	17
Functions	7	Optional Accessories (sold separately)	19
HOME Screen	10	Troubleshooting	19
Main Menus and Examples of Screens	11	General Specifications (English only)	151
Screen Operations	12	Dimensions (English only)	153
Using a USB Flash Drive to Save/Load Data	12		

Main Features

- Strong plywood cabinet features a high output Class D amplifier. Full-range models feature a powerful and lightweight neodymium magnet.
- Optimized pairing of a highly durable speaker unit with a fixed directional horn, for sparkling highs with punchy and powerful bass.
- Full-range models feature an FIR filter for crossover and frequency adjustments. Low latency for DSP and AD/DA, thanks to 96 kHz sampling rate.
- LCD screen for loading presets, and for making precise graphical adjustments to EQ, delay, and routings. Easily transfer settings by using a USB flash drive.
- Dante models (-D) support the transmission of digital audio and remote control via a Dante network.
- 2-way models support use on a stand or use as a floor monitor. Rotation of the horn, several rigging points, and optional brackets allow a variety of installation methods.

Dante

Dante is a network audio transmission protocol developed by Audinate. It allows the transmission of uncompressed multi-channel digital audio at low latency, as well as sample-level synchronization. Wiring is kept simple through connections using CAT5e cables.

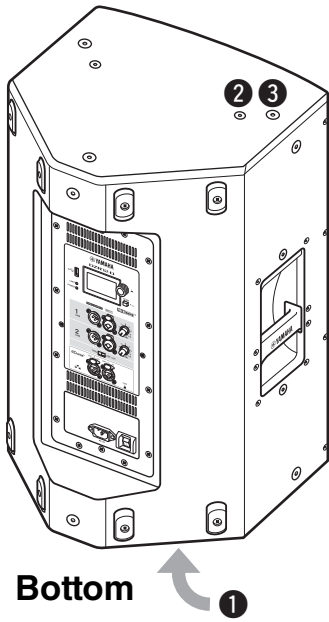
Structure of Manuals

- **Owner's Manual (this book):** Mainly provides explanations of the names, functions, and basic operations of each component.
- **Reference Manual:** Mainly provides detailed explanations of settings and operations. This can be downloaded from the Yamaha Pro Audio global website.
<https://www.yamahaproaudio.com/>

Included Accessories

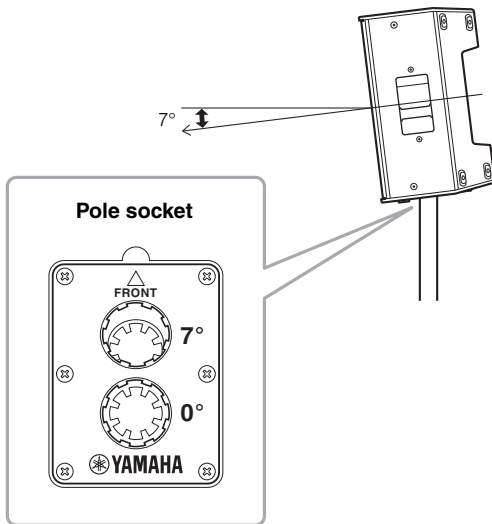
- Power cord
- Owner's Manual (this book)

Full-range Speaker (Rear)



1 Tiltable pole socket

This mount has two pole sockets. You can choose the angle of the speaker so that it is positioned horizontal to the floor or tilting down toward the floor by 7 degrees. Compatible with commercially available speaker stands and speaker poles of 35 mm diameter. (These sockets are not available on the DZR315(-D).)



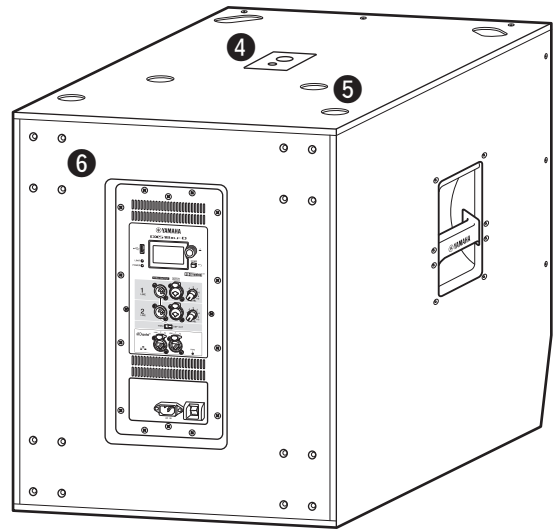
2 Screw holes for U-bracket

For installing with the separately sold U-brackets. (These sockets are not available on the DZR315(-D).)

3 Screw holes for eye bolts

For installing the speaker using eye bolts. The screw holes for eye bolts go through the cabinet wall.

Subwoofer (Rear)



4 Dual pole sockets

Compatible with commercially available speaker poles of 35 mm diameter and M20 screw.



When using a pole socket to install a speaker, observe the following conditions for safety.

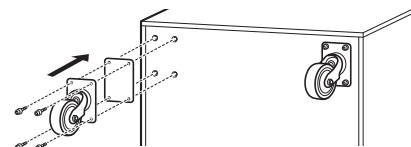
Subwoofer	Speaker to be installed	Length of the pole
DXS18XLF(-D)	Weight: 26 kg or less Height: 76.0 cm or less (DZR15(-D) or smaller)	104 cm or less
DXS15XLF(-D)	Weight: 22 kg or less Height: 64.5 cm or less (DZR12(-D) or smaller)	82 cm or less
	Weight: 18 kg or less Height: 53.7 cm or less (DZR10(-D) or smaller)	104 cm or less

5 Feet cups

When stacking multiple speakers, align the rubber feet of the upper speaker to the feet cups of the lower one.

6 Wheel mounting screws

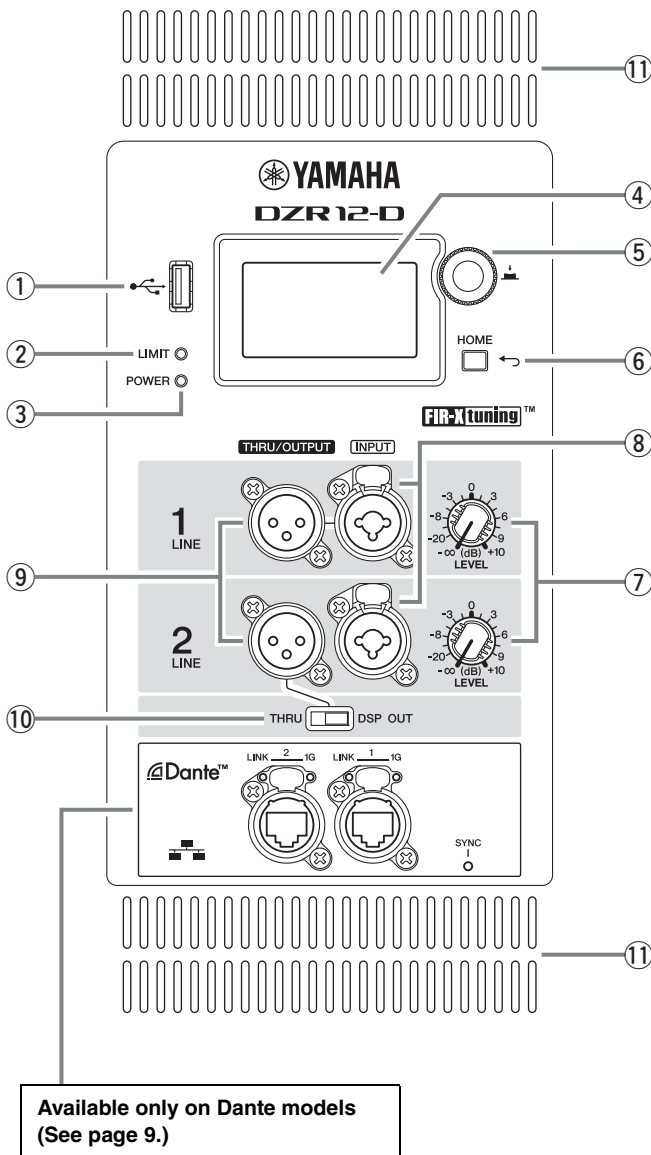
For installing the separately sold Yamaha SPW-1 wheels. If you are not using wheels, do not remove these screws. Otherwise, the leakage of air will affect sound quality.



NOTE

- For more information about installing wheels and related precautions, refer to the corresponding manual for the wheels.
- Do not install any item other than the SPW-1 wheels.

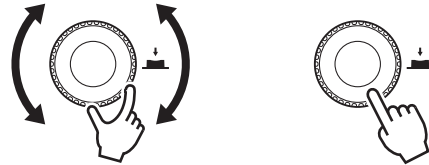
Rear Panel (for both Full-range Speakers and Subwoofers)



Available only on Dante models
(See page 9.)

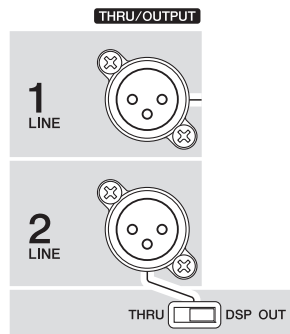
- ① **USB terminal**
For connecting a USB flash drive to save/load data.
NOTICE
When using a USB extension cable, use a cable that is no longer than 1 m.
- ② **[LIMIT] indicator**
Lights red when the limiter for protecting the speaker is active. If the indicator remains on, lower the level of the input signal.
- ③ **[POWER] indicator**
Lights green when the power is on. Flashes green when the protection function is active and the output is muted. ("MUTED" appears on the HOME screen in the display at this time.)

- ④ **Display**
Shows the settings for various functions.
- ⑤ **Main knob**
Turn the knob to move the cursor that appears in the display and change parameter values. Press the knob to execute a setting.

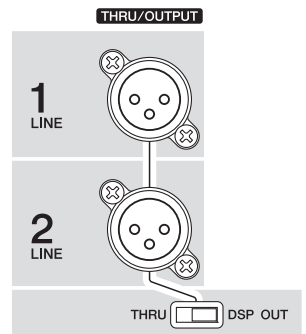


- ⑥ **[←] (Back) key**
Press this key to move up the previous screen. Press and hold the key to return to the HOME screen.
- ⑦ **[LEVEL] controls**
Adjust the level that is input to the [INPUT] jacks.
- ⑧ **[INPUT] jacks**
Combo jacks for line level input. Accept both XLR and phone plugs.
- ⑨ **[THRU/OUTPUT] jacks**
XLR output jacks. The output signal for channel 2 on full-range speakers and both channels 1 and 2 on subwoofers can be switched using the [THRU/DSP OUT] switch. On full-range speakers, channel 1 is fixed to [THRU].

DZR(-D) Series

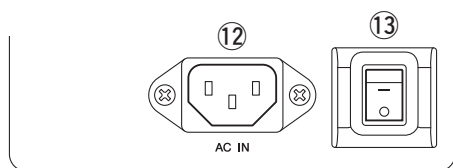


DXS-XLF(-D) Series



- ⑩ **[THRU/DSP OUT] switch**
Selects whether to output the signals from the input jacks without processing ([THRU]) or to output the signals after DSP processing ([DSP OUT]).
- ⑪ **Vents**
A cooling fan is installed on the exhaust side. When the speaker is in use, take care that all of the vents are free from obstruction.

■ Power section



⑫ [AC IN] jack

Connect the supplied AC power cord here. First, connect the power cord to this product, then insert the power cord plug into the AC outlet. When removing the power cord, perform this procedure in reverse order.



WARNING
Use only the supplied power cord/plug.



CAUTION
Be sure to turn the power off before connecting or disconnecting the power cord.

Insert the power cord fully until it is locked by the latching lock mechanism (V-Lock).
Press the V-Lock latch to disconnect the power cord.

⑬ Power switch

Turns the power supply on [–] or off [○].

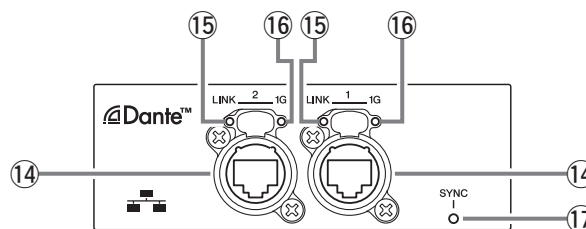


WARNING
A small amount of current flows even when the power switch is off. If you will not use the speaker for a long time, be sure to unplug the power cord from the outlet.

NOTE

- Depending on the timing when the power switch is turned on/off, it might take up to 15 seconds for the power to turn on.
- When using multiple devices, we recommend turning each device on one at a time. If multiple devices are turned on at the same time, the devices might not start up correctly due to a voltage drop at the power supply.

■ Dante section (Dante models only)



⑭ Dante jacks

These are etherCON jacks for a Dante network. Both jacks are primary connections. They can be used for daisy chain connections. For details, refer to the Reference Manual.

NOTE

Use STP (Shielded Twisted Pair) cables to prevent electromagnetic interference. Make sure that the metal parts of the plugs are electrically connected to the STP cable shield by conductive tape or comparable means.

⑮ [LINK] indicator

Shows the Dante communication status. Lights green when an Ethernet cable is connected correctly to the Dante jack.

⑯ [1G] indicator

Lights orange when the Dante network is functioning as Gigabit Ethernet.

⑰ [SYNC] indicator

Lights steady or flashes green according to the Dante communication status, as shown in the following table.

Steady	Operating normally as a clock follower on the Dante network
Continuously flashing	Operating normally as a clock leader on the Dante network
Periodically flashing one time	Incorrect DANTE FS setting
Periodically flashing two times	Dante network cable not connected
Periodically flashing three times	Incorrect Dante network connection

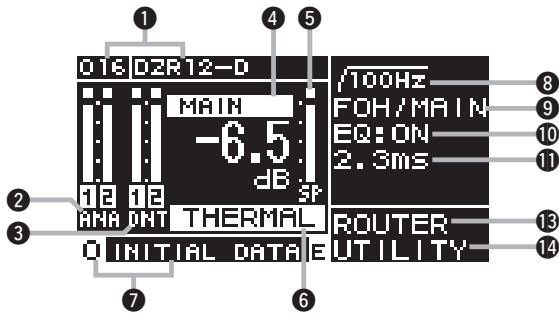
HOME Screen

Full range **Subwoofer**

The HOME screen appears when the power switch is turned on.

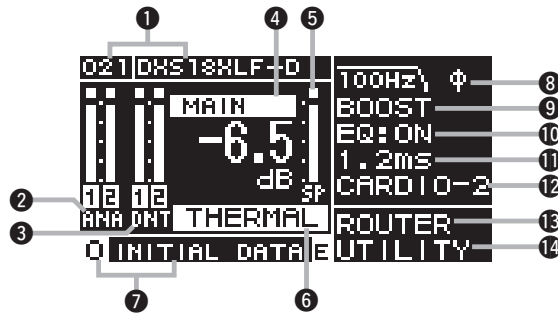
Full range

■ Example (Dante models)



Subwoofer

■ Example (Dante models)

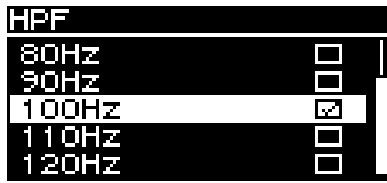


Display	Description
1 UNIT ID, LABEL Dante model	Shows the UNIT ID and label that are used for Dante. Allows you to go to the DANTE SETUP screen to configure and display Dante settings.
2 Input Meter (“ANA” appears on DANTE models.)	Shows the input level of the analog signal. In Backup mode, the CH label for the line in standby mode flashes (Dante models only).
3 Input Meter (DNT) Dante model	Shows the input level of the Dante signal. In Backup mode, the CH label for the line in standby mode flashes.
4 MAIN Level	Displays and sets the output level (Unit: dB).
5 SP Output Meter	Shows the output level.
6 Protection (THERMAL, MUTED)	Appears when the protection function is active. “THERMAL” is shown when a high temperature is detected in the amplifier (and the output level is reduced). If the conditions of the usage environment become even worse, MUTED is displayed (and the output signal is muted).
7 PRESET	Shows the preset No. and title of the currently selected preset. Allows you to store, recall, and edit sound-related settings. E symbol is displayed when you edit a parameter.
8 HPF Full range LPF Subwoofer	Allows you to configure and display the high-pass filter frequency settings.
9 D-CONTOUR Full range D-XSUB Subwoofer	Allows you to configure and display the D-CONTOUR mode settings.
10 EQ	Shows if the equalizer is ON or OFF. Allows you to configure the EQ settings while checking the frequency characteristics.
11 DELAY	Allows you to configure and display delay settings.
12 CARDIOID Subwoofer	Allows you to configure and display the cardioid mode settings.
13 ROUTER	Allows you to configure the routing of the audio signal.
14 UTILITY	Allows you to configure and display the following settings. <ul style="list-style-type: none"> - PANEL SETUP: Configures display brightness, contrast, and display/indicator auto off settings. - PANEL LOCK: Configures misoperation prevention setting, saves/loads PIN CODE. - DEVICE BACKUP: Saves/loads configuration data. - DANTE SETUP Dante model: Configures and displays Dante settings. - INPUT REDUNDANCY Dante model: Configures and displays items related to input redundancy. - NETWORK Dante model: Configures and displays network settings. - DEVICE INFORMATION: Displays the status and information unique to this product. - INITIALIZE: Performs initialization. - LOG: Displays recorded logs. Saves logs to USB flash drive. - UPDATE FIRMWARE: Update the firmware for the device, and the Dante module.

For details, refer to the Reference Manual on the Yamaha Pro Audio global website.

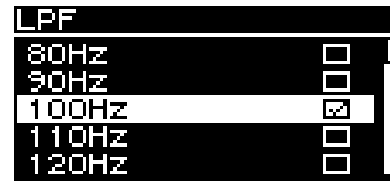
<https://www.yamahaproaudio.com/>

■ HPF Full range 8 on page 10



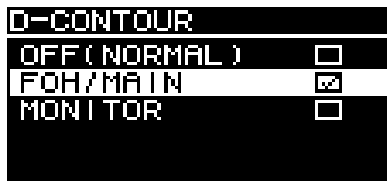
Configure the high-pass filter frequency settings.

■ LPF Subwoofer 8 on page 10



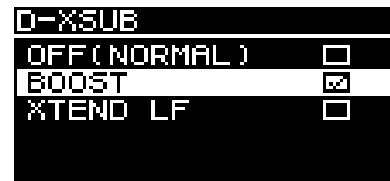
Configure the low-pass filter frequency settings.

■ D-CONTOUR Full range 9 on page 10



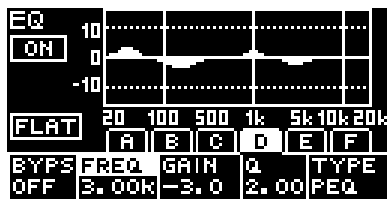
Switch a D-CONTOUR preset.

■ D-XSUB Subwoofer 9 on page 10



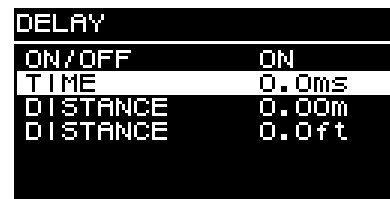
Switch a low range characteristic.

■ EQ 10 on page 10



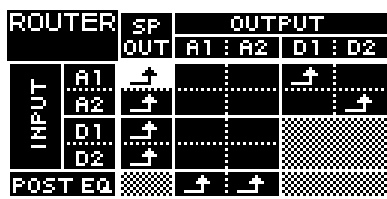
Configure the equalizer settings. The total gain characteristics for a 6-band equalizer are displayed on a graph.

■ DELAY 11 on page 10



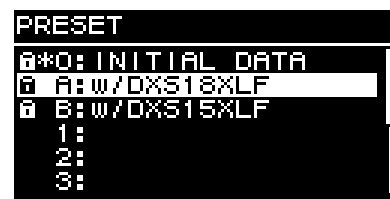
Allows you to switch the delay ON or OFF, and configure three types of delay settings. Editing one type will affect the settings for the other types.

■ ROUTER 13 on page 10



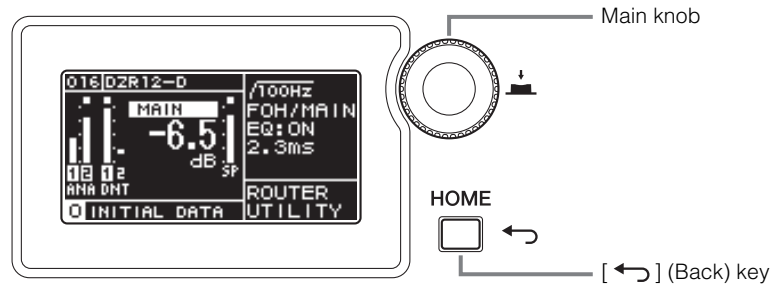
Configure the routing of the audio signal. Set for the routing point of the signal you want to output. You can set the input and output levels by selecting INPUT or OUTPUT and going to the INPUT or OUTPUT level setting screen. In Backup mode, options for the analog input are limited.

■ PRESET 7 on page 10



Allows you to store up to eight sound-related settings. When using the DZR and DXS-XLF series, simply recalling the preset of the speaker model to be used optimizes the corresponding settings. Recalling INITIAL DATA allows you to return to the factory settings.

Basic Operations



1. Turn the main knob to select an item. The selected item is highlighted.

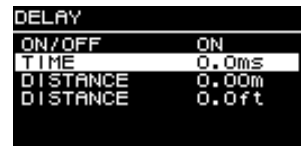
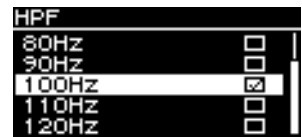
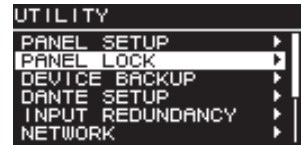
An arrow ► on the right indicates that there is sub menu.

2. Press the main knob to execute a selection.

3. Repeat steps 1 and 2 until you reach the edit parameter screen.

To edit parameters that have selected values, turn the main knob to select a value. The value will not be updated and the sound will not change until you press the main knob to execute the change.

To edit parameters that have continuous values, turn the main knob to change the value for that parameter. The value is changed in real time as you turn the knob.



4. For parameters with selected values, press the main knob to execute the edited value.

Press the [←] (back) key to move up to the previous screen. (Press and hold it to return to the HOME screen.)

Using a USB Flash Drive to Save/Load Data

The setting data for this product can be saved to a USB flash drive. This function is convenient when using the same settings for many speakers.

Saved files are categorized into full-range speakers and subwoofers; the two types of files are not compatible.

■ Save to USB flash drive (SAVE)

On the HOME screen of the speaker that is the data source, select UTILITY → DEVICE BACKUP → SAVE TO USB. Follow the on-screen instructions to save the data.



■ Load from USB flash drive (RESTORE)

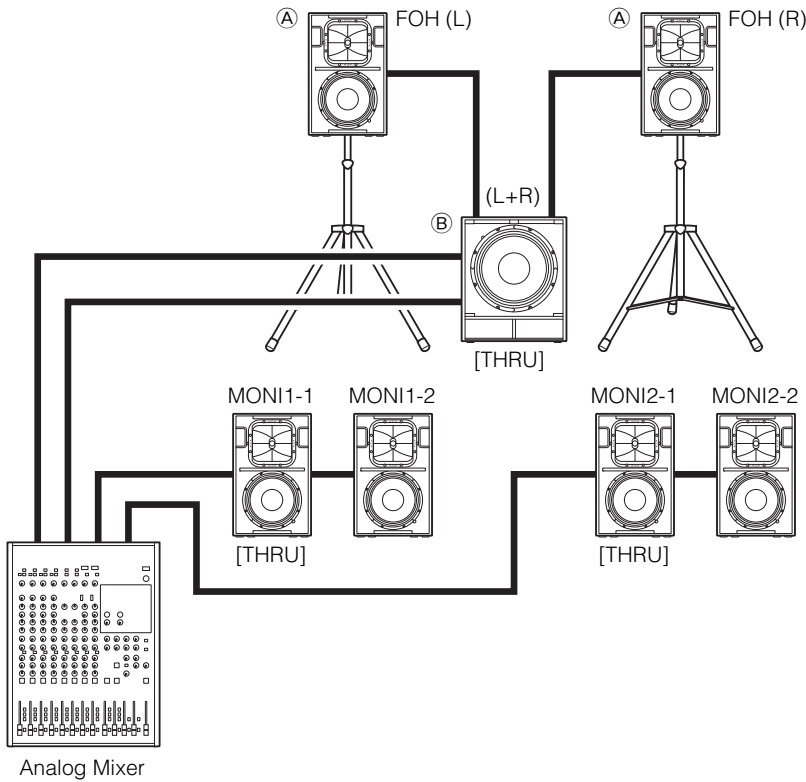
On the HOME screen of the speaker to which the data will be loaded, select UTILITY → DEVICE BACKUP → RESTORE FROM USB. Follow the on-screen instructions to load the data.



Basic Systems for Analog Connections

System example 1

This example uses only DZR and DXS-XLF series speakers.



- Individual analog connections on each bus
- For the same sound source, use [THRU/DSP OUT] switch to set to [THRU]
- Recalling a preset at (A)

```

PRESET
A*0: INITIAL DATA
A: w/DXS18XLF
B: w/DXS15XLF
1:
2:
3:
    
```

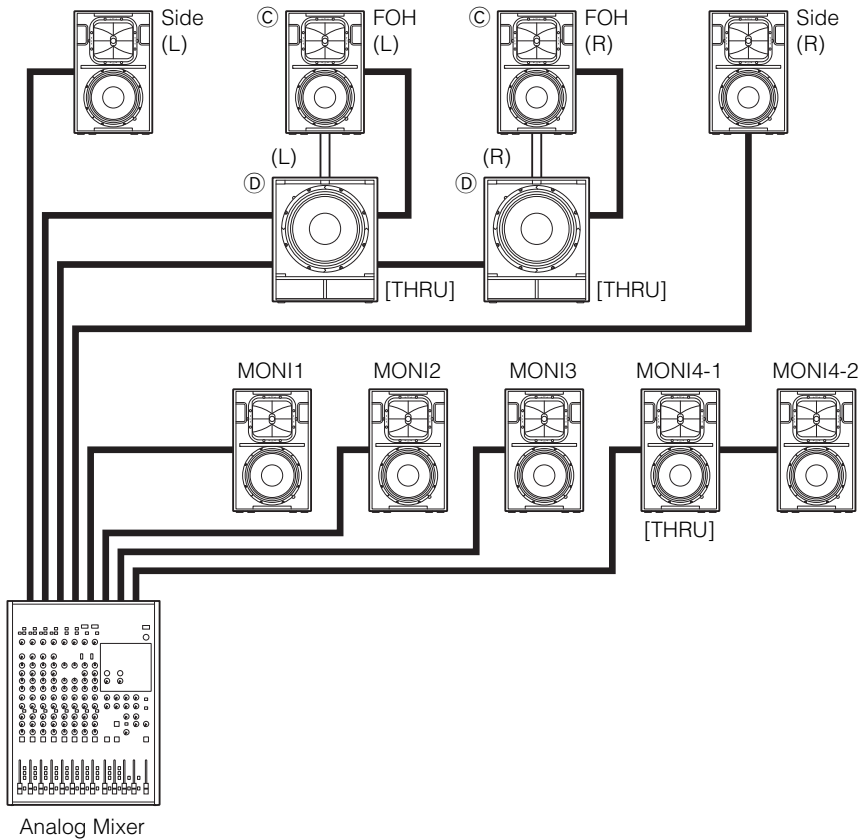
- Recalling a preset at (B)

```

PRESET
A*0: INITIAL DATA
A: w/DZR315
B: w/DZR15
C: w/DZR12
1:
2:
    
```

System example 2

This example uses only DZR and DXS-XLF series speakers.



- Individual analog connections on each bus
- For the same sound source, use [THRU/DSP OUT] switch to set to [THRU]
- Recalling a preset at (C)

```

PRESET
A*0: INITIAL DATA
A: w/DXS18XLF
B: w/DXS15XLF
1:
2:
3:
    
```

- Recalling a preset at (D)

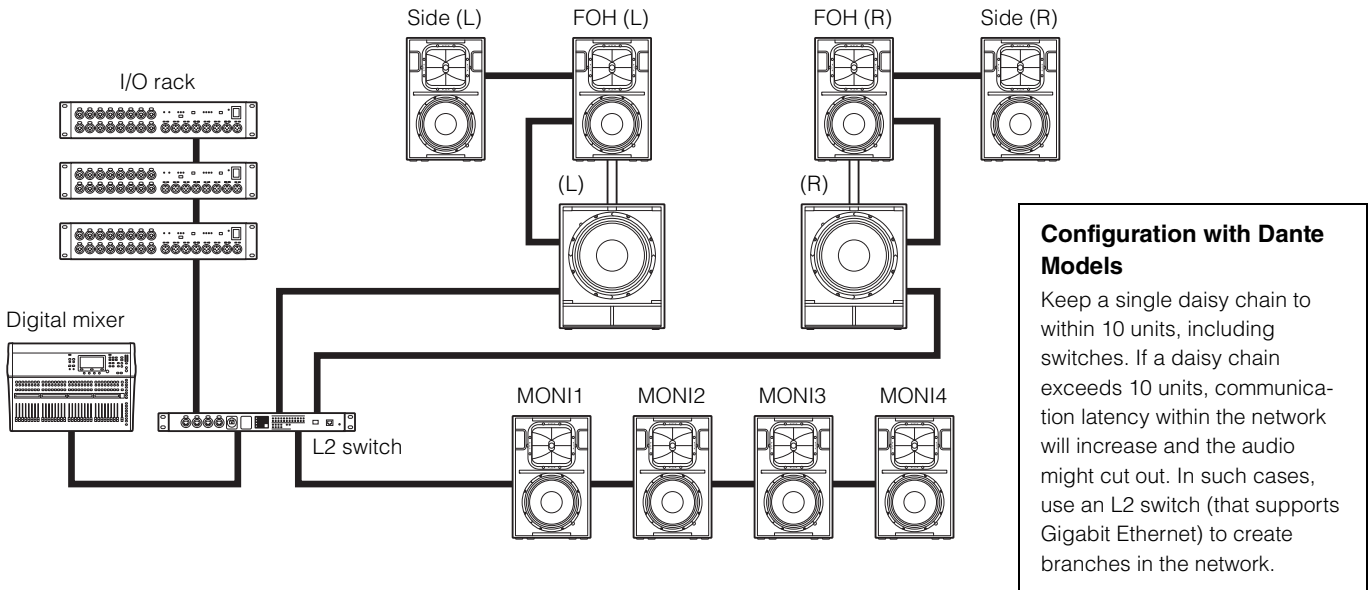
```

PRESET
A*0: INITIAL DATA
A: w/DZR315
B: w/DZR15
C: w/DZR12
1:
2:
    
```

Basic Systems for Dante Connections

■ Example of a 15-unit system, including switches

This example uses only DZR-D and DXS-XLF-D series speakers.



Dante Connection

For Dante models (DZR-D and DXS-XLF-D series speakers), you can use Dante devices and Dante Controller to make patches. If you connect to a TF series, CL series, or QL series Yamaha digital mixer, you can make patches without using Dante Controller. In particular, the TF series has a Quick Config function that can be configured easily to make patches automatically.

For details, refer to the Reference Manuals for DZR(-D) and DXS-XLF(-D) series speakers. (For details about how to use Yamaha digital mixers, refer to the manual for each individual model.)

<https://www.yamahaproaudio.com/>

• About Backup mode

In this mode, if Dante input audio is interrupted due to a problem such as an input device failure, the line for the backup source will be enabled automatically. If the original input audio is subsequently restored, the primary line will be enabled automatically.

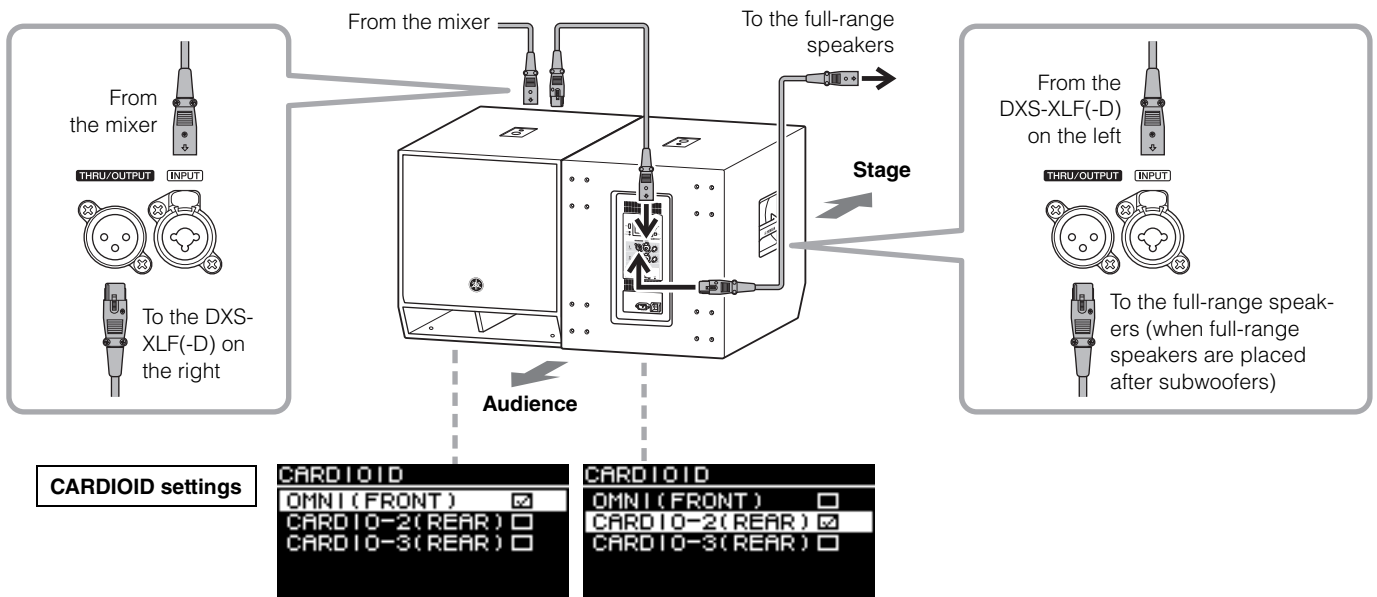
Cardioid Mode Settings

Arrange DXS-XLF(-D) series speakers (hereinafter referred to as DXS-XLF(-D)) so that they are facing in opposite directions. Configure the cardioid mode setting on the screen. (See 12 on page 10.) All other settings (LEVEL, POLARITY, LPF etc.) should be configured to the same settings.

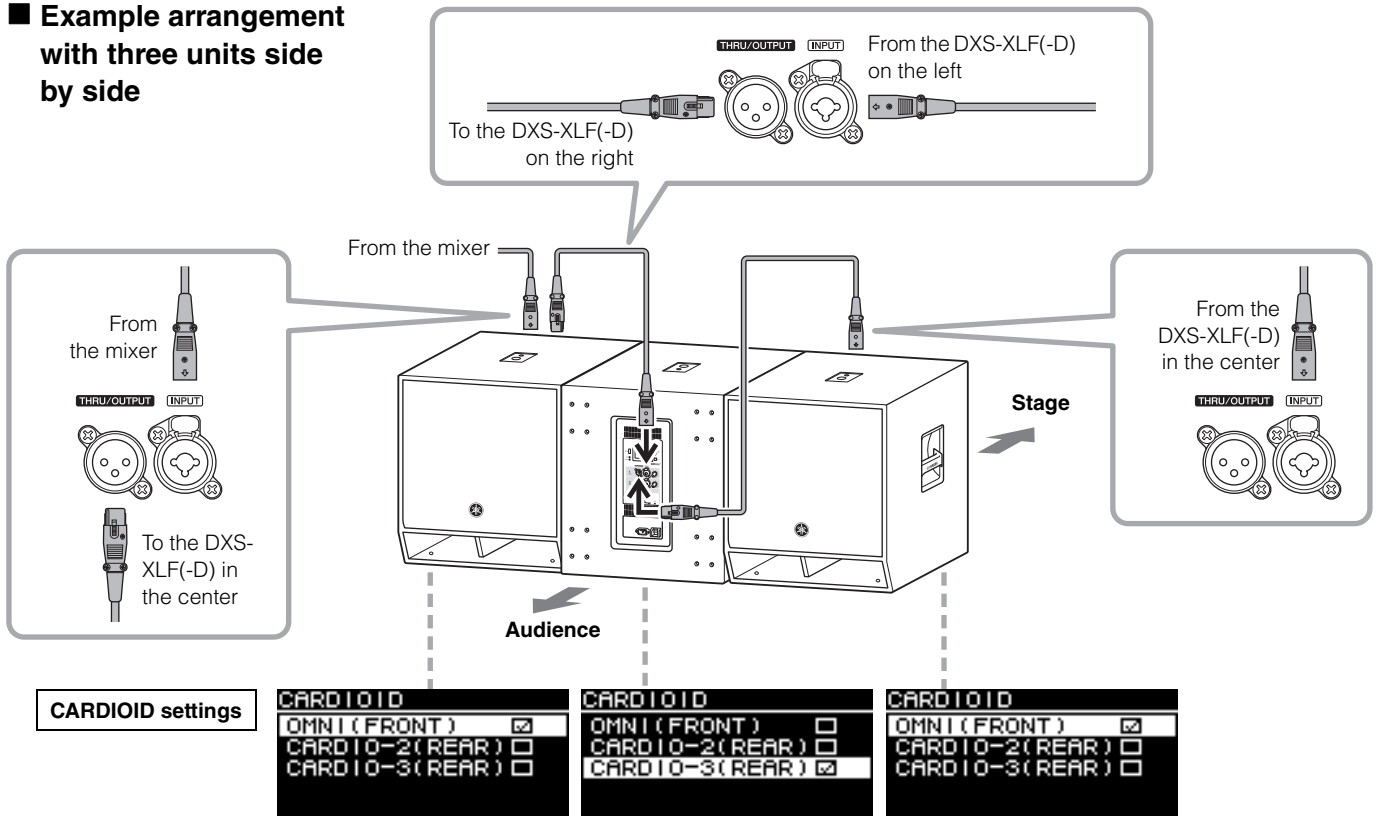
NOTE

- Use the same DXS-XLF(-D) model, and the same input signal. You can also set the [THRU/DSP OUT] switch to [THRU] to use in a sequence connection. See the example arrangements below.
- In order to maximize the cardioid characteristics, position the cabinets at least 1.2 m away from walls.

Example arrangement with two units side by side



Example arrangement with three units side by side

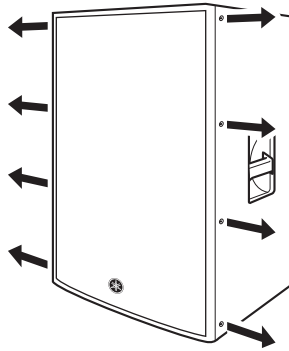


Rotatable Horn

Full range: DZR15(-D), DZR12(-D), and DZR10(-D)

When shipped from the factory, the directivity of DZR(-D) series speaker in a vertical orientation is the setting which makes the sound expand in a horizontal direction, and inhibits or narrows the sound in a vertical direction. We recommend changing the directivity by rotating the horn when you want to install the DZR(-D) series speaker horizontally or when you want to use them as a floor monitor and broaden the directivity.

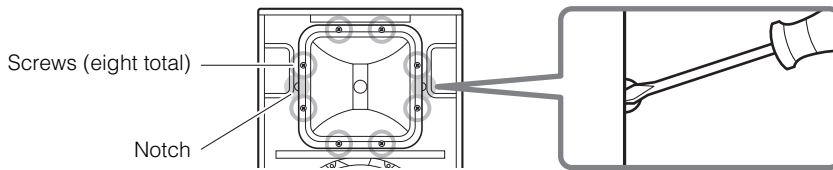
1. Using a 2.5 mm hexagonal wrench, remove all fixing screws (DZR10(-D): six total) on the grille, and remove the grille from the speaker.



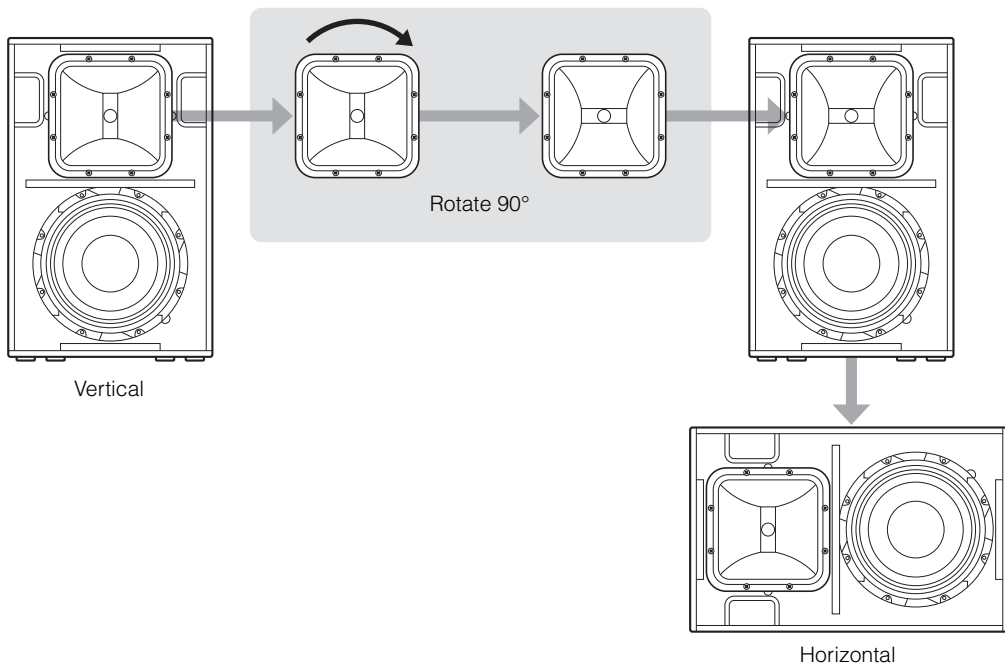
2. Using a No. 2 Phillips head screwdriver, remove all screws installed on the horn and pull the horn out from the speaker.

NOTE

- Make sure not to push the screws too strongly with the Phillips head screwdriver. This may cause the nuts inside the cabinet to fall off.
- If the horn cannot smoothly be pulled out, hook the notches using a flat-bladed screwdriver, and pull out.



3. Rotate the horn 90 degrees, and re-install the horn to the speaker, reversing the steps above.





CAUTION

- Before doing any installation or construction work, consult with your Yamaha dealer.
- The installation should be checked thoroughly at regular intervals. Some fittings may deteriorate over extended periods of time due to wear and/or corrosion.
- When choosing the installation location, suspension wire and mounting hardware, make sure all are strong enough to support the weight of the speaker.
- Make sure to take precautionary measures using wires to prevent the speaker from falling down in the event of an installation failure.
- When installing the wire to the wall, install it higher than the wire's attachment point on the speaker, with as little slack as possible. If the wire is too long, and the speaker happens to fall, the wire may snap as a result of too much strain.
- Make sure to use eye bolts according to the standards and safety regulations in your area.

Yamaha cannot be held responsible for damage or injury caused by insufficient strength of the support structure or improper installation.

Suspended Installation Using Eye Bolts

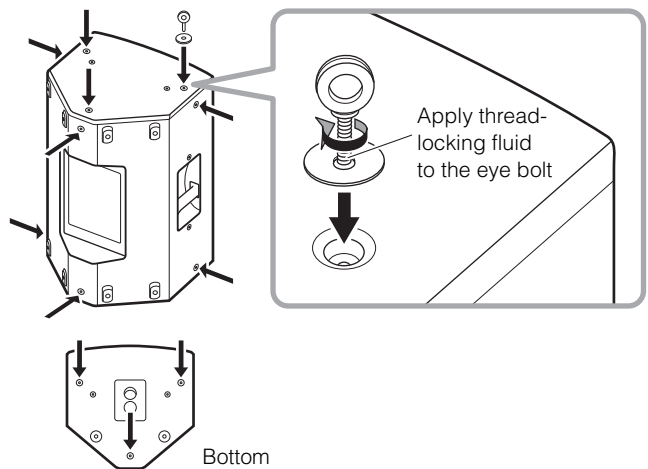
Attach commercially available long eye bolts (30–50 mm in length) to the screw holes for the eye bolts (④ on page 7). The screw diameter for DZR315(-D), DZR15(-D), and DZR12(-D) is M10, and the screw diameters for DZR10(-D) are M10 and M8. Keep in mind that you will need two or more rigging points.

■ Securing the eye bolts

Insert the eye bolts through the washers when attaching them.

NOTE

- The screw holes for eye bolts go through the cabinet wall.
- When using eye bolts, remove the flat-head screws tightened at the time of factory shipment. When not using eye bolts, tighten the flat-head screws in order to prevent air leaks.

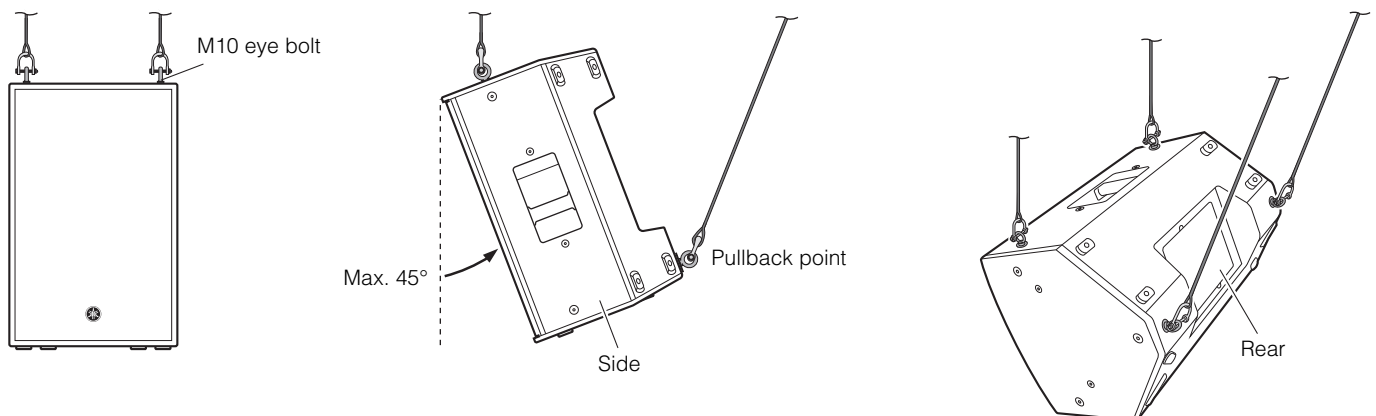


■ Suspension angle

Make sure to use eye bolts within a range of 0 to 45 degrees from a right angle.

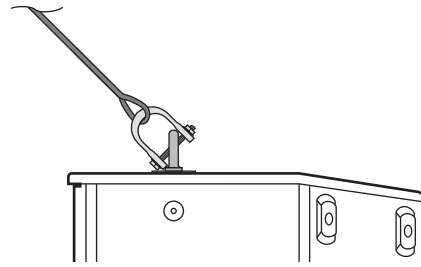


■ Suspended installation example

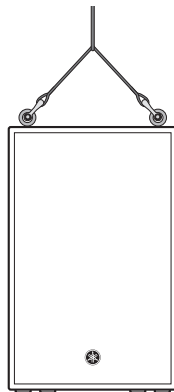


■ Incorrect examples for suspended installation

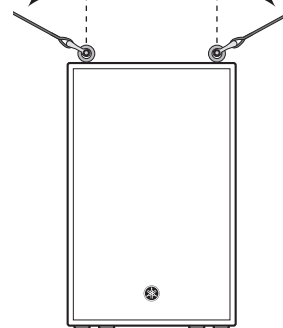
Do not suspend the eye bolts as shown in the illustrations below.



Only one suspension point



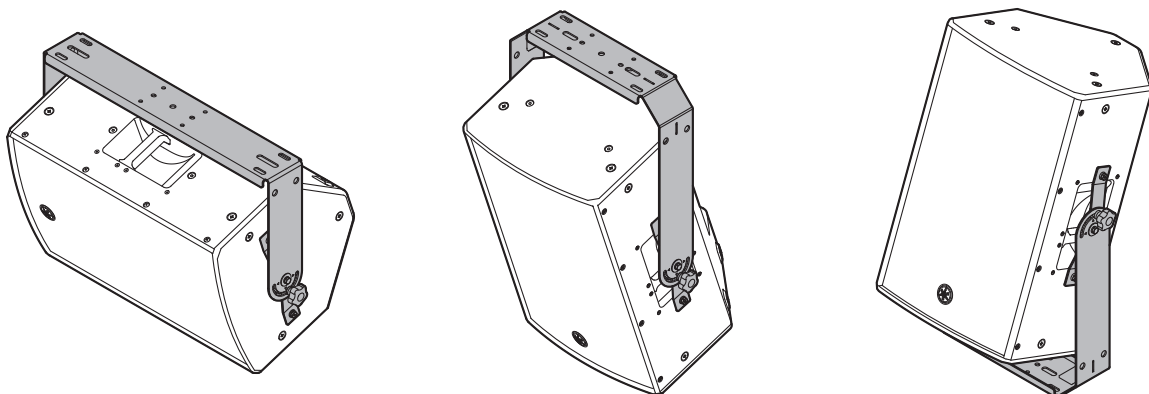
More than 45° from a right angle
More than 45°
More than 45°



Installation Using a Dedicated U-bracket

By using the separately sold Yamaha UB-DZR series U-bracket, you can expand the installation possibilities. For instructions on installing the U-bracket, refer to the corresponding manual for the UB-DZR series.

■ Examples



NOTE

The UB-DZR series can be used along with an optional bracket from third parties.

Optional Accessories (sold separately)

Speaker	Cover	U-bracket	Wheels
DZR315(-D)	SPCVR-DZR315	—	—
DZR15(-D)	SPCVR-DZR15	UB-DZR15H, UB-DZR15V	—
DZR12(-D)	SPCVR-DZR12	UB-DZR12H, UB-DZR12V	—
DZR10(-D)	SPCVR-DZR10	UB-DZR10H, UB-DZR10V	—
DXS18XLF(-D)	SPCVR-DXS18X	—	SPW-1
DXS15XLF(-D)	SPCVR-DXS15X	—	SPW-1

Troubleshooting

Symptom	Possible causes	Possible solution
Power does not come on.	Time between turning the power on/off is too short.	Wait about 20 seconds after turning the power off before turning it back on again.
No sound.	Routing is not appropriate.	On the HOME screen, if there is a signal in the Input Meter but no signal in the SP Output Meter, check if the signal is routed to SP OUT under ROUTER in the settings.
	<input type="text" value="Dante model"/> Level is low in DSP.	Check the INPUT level under ROUTER in the settings, and raise it if it is too low.
No sound, or intermittent sound.	<input type="text" value="Dante model"/> Too many Dante devices in the daisy chain for the current latency settings.	With the default setting (1 msec), a single daisy chain can have up to 10 units. When connecting more than 10 units, use an L2 switch (that supports Gigabit Ethernet) to create branches in the network.
Volume becomes low suddenly.	Protection function is active because the amp is too hot, triggering the limiter.	In such cases, THERMAL is displayed on the HOME screen. To prevent the speaker from getting hotter, improve the ventilation around the rear panel and shield the panel from direct sunlight.
Sound is interrupted suddenly.	Protection function is active because the amp became hotter, triggering the mute function.	In such cases, MUTED is displayed on the HOME screen and at the same time the [POWER] indicator flashes. To prevent the speaker from getting hotter, improve the ventilation around the rear panel and shield the panel from direct sunlight.
	The speaker units are damaged.	If there is no sound even though MUTED is not displayed on the HOME screen and there is a signal in the SP Output Meter, the speaker units might be damaged. Please contact your Yamaha dealer.
Display goes off after a few moments.	The protection function for the display is active.	Press either the main knob or the [↶] (back) key to return to the normal display.

If any specific problem should persist, please contact your Yamaha dealer.

General Specifications

0 dBu is referenced to 0.775 Vrms.

		DZR315(-D)	DZR15(-D)	DZR12(-D)	DZR10(-D)
System Type		3-way, Bi-amped powered speaker, Bass-reflex	2-way, Bi-amped powered speaker, Bass-reflex		
Frequency Range (-10 dB)		31 Hz – 20 kHz	34 Hz – 20 kHz	39 Hz – 20 kHz	44 Hz – 20 kHz
Coverage Angle		H75° × V50°	H90° × V50° (Rotatable)	H90° × V60° (Rotatable)	H90° × V60° (Rotatable)
Crossover Frequency, Type		700 Hz (FIR-X) 2.5 kHz (Passive)	1.7 kHz (FIR-X)	1.8 kHz (FIR-X)	1.8 kHz (FIR-X)
Maximum SPL*1		143 dB SPL	139 dB SPL	139 dB SPL	137 dB SPL
Transducer	LF	15" Cone, 3" Voice coil, Neodymium magnet	15" Cone, 3" Voice coil, Neodymium magnet	12" Cone, 3" Voice coil, Neodymium magnet	10" Cone, 3" Voice coil, Neodymium magnet
	MF	8" Cone, 1.5" Voice coil, Ferrite magnet	—		
	HF	2" Voice coil, 1" Throat compression driver, Titanium diaphragm, Neodymium magnet			
Enclosure Material, Finish, Color		Plywood, Durable polyurea coating, Black			
Floor Monitor Angle		—	50° Symmetrical	50° Symmetrical	50°
Dimensions (W × H × D, with rubber feet)		550 × 897 × 520 mm	450 × 761 × 460 mm	410 × 646 × 394 mm	315 × 537 × 345 mm
Weight		41.6 kg	25.2 kg	21.4 kg	17.9 kg
Handles		Aluminium die-cast, Side × 2			Aluminium die-cast, Top × 1, Side × 1
Pole Socket		—	Ø35 mm × 2 (0° or -7°)		
Rigging Points		M10 × 16	M10 × 12		M10 × 8, M8 × 2
Amplifier Type		Class-D			
Power Rating*2	Dynamic	2000 W (LF: 1000 W, MF/HF: 1000 W)			
	Burst (20ms)	1100 W (LF: 1000 W, MF/HF: 100 W)			
	Continuous	950 W (LF: 850 W, MF/HF: 100 W)			
Cooling		Fan cooling, Variable speeds.			
DSP, AD/DA		96 kHz processing with 96 kHz AD/DA and FIR filter			
Connectors	Analog IN	Combo × 2, Line level (Maximum +24 dBu), Input impedance: 20 kΩ			
	Analog OUT	XLR3-32 × 2, CH1: THRU (fix), CH2: THRU or DSP OUT			
	Dante (-D model only)	etherCON CAT5e × 2 (Daisy chain), 2 IN / 2 OUT (Fs: 44.1k, 48k, 88.2k, 96k) and Remote control, 1000BASE-T			
	USB	USB 2.0 host: 5 V 500 mA			
	AC IN	IEC AC inlet × 1 (V-Lock)			
Idle Power Consumption		45 W			
1/8 Power Consumption		150 W			
AC Power Requirements*3		Depending on area of purchase; 100–240 V or 220–240 V, 50/60 Hz			
Optional Accessories	U-bracket	—	UB-DZR15H, UB-DZR15V	UB-DZR12H, UB-DZR12V	UB-DZR10H, UB-DZR10V
	Cover	SPCVR-DZR315	SPCVR-DZR15	SPCVR-DZR12	SPCVR-DZR10

*1: Measured peak SPL with pink noise @1 m.

*2: Dynamic: Total peak power of individual outputs. Measured at minimum load impedance, with protection released.
Burst/Continuous: Measured at nominal impedance, with protection activated.

*3: While both devices will work at a voltage of between 100 V to 240 V, as limiter settings vary depending on the supply voltage, make sure to use this product at the supply voltage indicated on the rear panel of this product.

0 dBu is referenced to 0.775 Vrms.

		DXS18XLF(-D)	DXS15XLF(-D)
System Type		Powered subwoofer, Bass-reflex	
Frequency Range (-10 dB)		30 Hz – 150 Hz	33 Hz – 150 Hz
Maximum SPL *1		136 dB SPL	136 dB SPL
Transducer	LF	18" Cone, 4" Voice coil, Ferrite magnet	15" Cone, 4" Voice coil, Ferrite magnet
Enclosure Material, Finish, Color		Plywood, Durable polyurea coating, Black	
Dimensions (W × H × D, with rubber feet)		550 × 657 × 720 mm	450 × 587 × 600 mm
Weight		48.9 kg	40.0 kg
Handles		Aluminium die-cast, Side × 2	
Pole Socket		Ø35 mm (Depth 80 mm), M20 (Threaded depth 25 mm)	
Amplifier Type		Class-D	
Power Rating *2	Dynamic	1600 W	
	Burst (20ms)	1300 W	
	Continuous	1200 W	
Cooling		Fan cooling, Variable speeds.	
DSP, AD/DA		96 kHz processing with 96 kHz AD/DA and FIR filter	
Connectors	Analog IN	Combo × 2, Line level (Maximum +24 dBu), Input impedance: 20 kΩ	
	Analog OUT	XLR3-32 × 2, CH1/2: THRU or DSP OUT	
	Dante (-D model only)	etherCON CAT5e × 2 (Daisy chain), 2 IN / 2 OUT (Fs: 44.1k, 48k, 88.2k, 96k) and Remote control, 1000BASE-T	
	USB	USB 2.0 host: 5 V 500 mA	
	AC IN	IEC AC inlet × 1 (V-Lock)	
Idle Power Consumption		40 W	
1/8 Power Consumption		180 W	
AC Power Requirements *3		Depending on area of purchase; 100–240 V or 220–240 V, 50/60 Hz	
Optional Accessories	Cover	SPCVR-DXS18X	SPCVR-DXS15X
	Wheel	SPW-1	

*1: Measured peak SPL with pink noise @1 m.

*2: Dynamic: Total peak power of individual outputs. Measured at minimum load impedance, with protection released.
Burst/Continuous: Measured at nominal impedance, with protection activated.

*3: While both devices will work at a voltage of between 100 V to 240 V, as limiter settings vary depending on the supply voltage, make sure to use this product at the supply voltage indicated on the rear panel of this product.

The contents of this manual apply to the latest specifications as of the publishing date. To obtain the latest manual, access the Yamaha website then download the manual file.

Der Inhalt dieser Bedienungsanleitung gilt für die neuesten technischen Daten zum Zeitpunkt der Veröffentlichung. Um die neueste Version der Anleitung zu erhalten, rufen Sie die Website von Yamaha auf und laden Sie dann die Datei mit der Bedienungsanleitung herunter.

Le contenu de ce mode d'emploi s'applique aux dernières caractéristiques techniques connues à la date de publication du manuel. Pour obtenir la version la plus récente du manuel, accédez au site Web de Yamaha puis téléchargez le fichier du manuel concerné.

El contenido de este manual se aplica a las últimas especificaciones según la fecha de publicación. Para obtener el último manual, acceda al sitio web de Yamaha y descargue el archivo del manual.

O conteúdo deste manual se aplica às especificações mais recentes a partir da data de publicação. Para obter o manual mais recente, acesse o site da Yamaha e faça o download do arquivo do manual.

Il contenuto del presente manuale si applica alle ultime specifiche tecniche a partire dalla data di pubblicazione. Per ottenere la versione più recente del manuale, accedere al sito Web Yamaha e scaricare il file corrispondente.

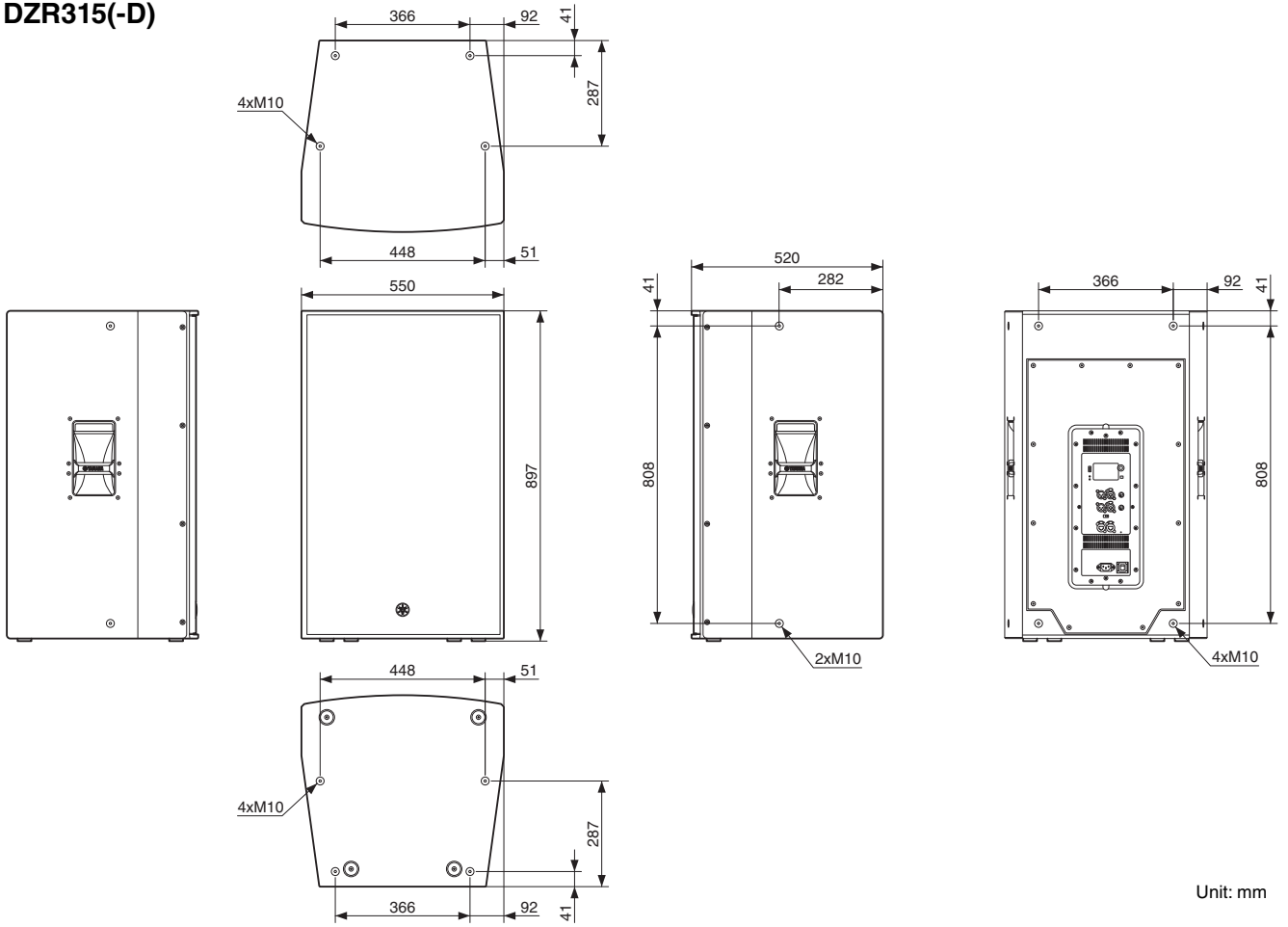
В содержании данного руководства приведены последние на момент публикации технические характеристики. Для получения последней версии руководства посетите веб-сайт корпорации Yamaha и загрузите файл с руководством.

본 설명서의 내용은 발행일 현재 최신 사양을 기준으로 하고 있습니다. 최신 설명서를 가져오려면 Yamaha 웹사이트에 접속 후 해당 설명서 파일을 다운로드 받으십시오.

本書は、発行時点での最新仕様で説明しています。最新版は、ヤマハウェブサイトからダウンロードできます。

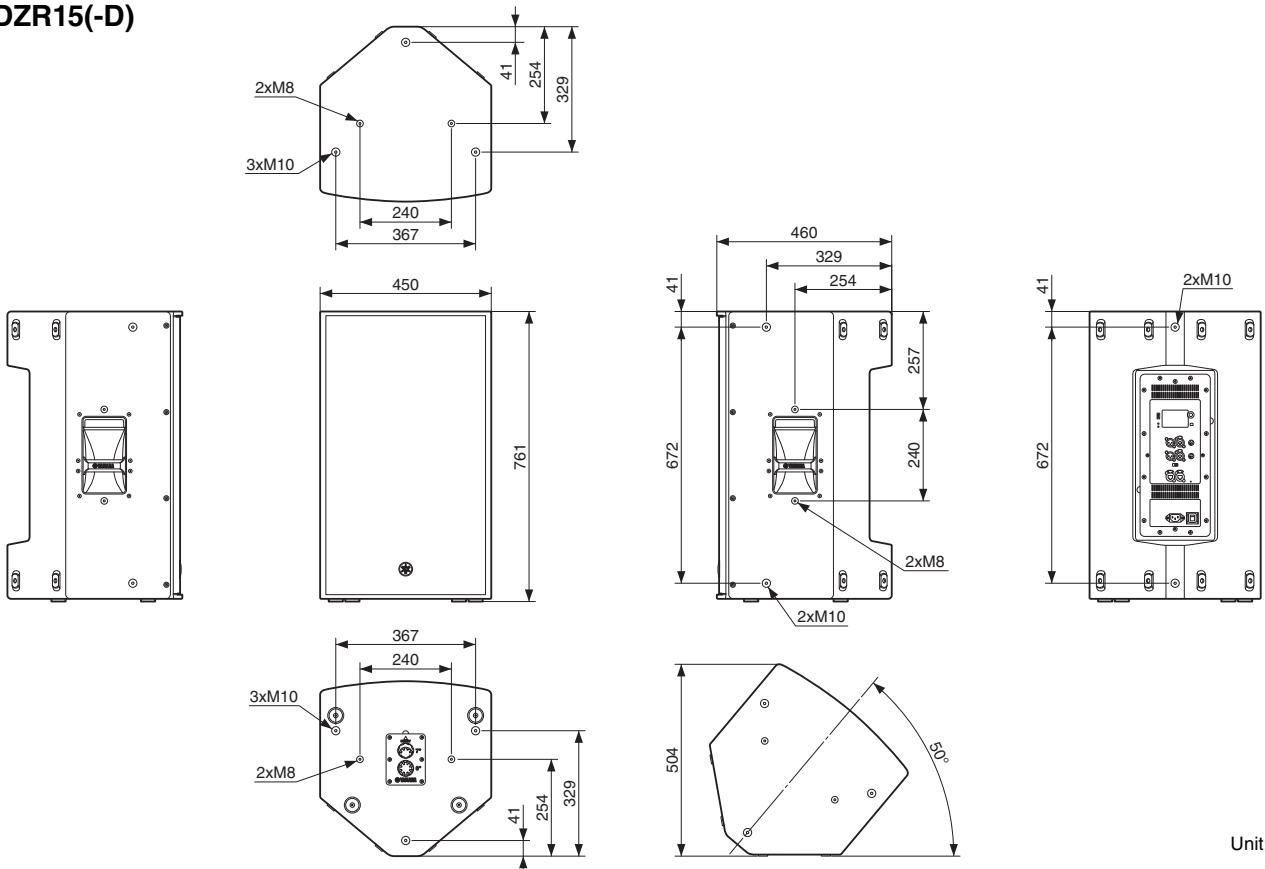
Dimensions

■ DZR315(-D)



Unit: mm

■ DZR15(-D)



Unit: mm

English

Deutsch

Français

Español

Português

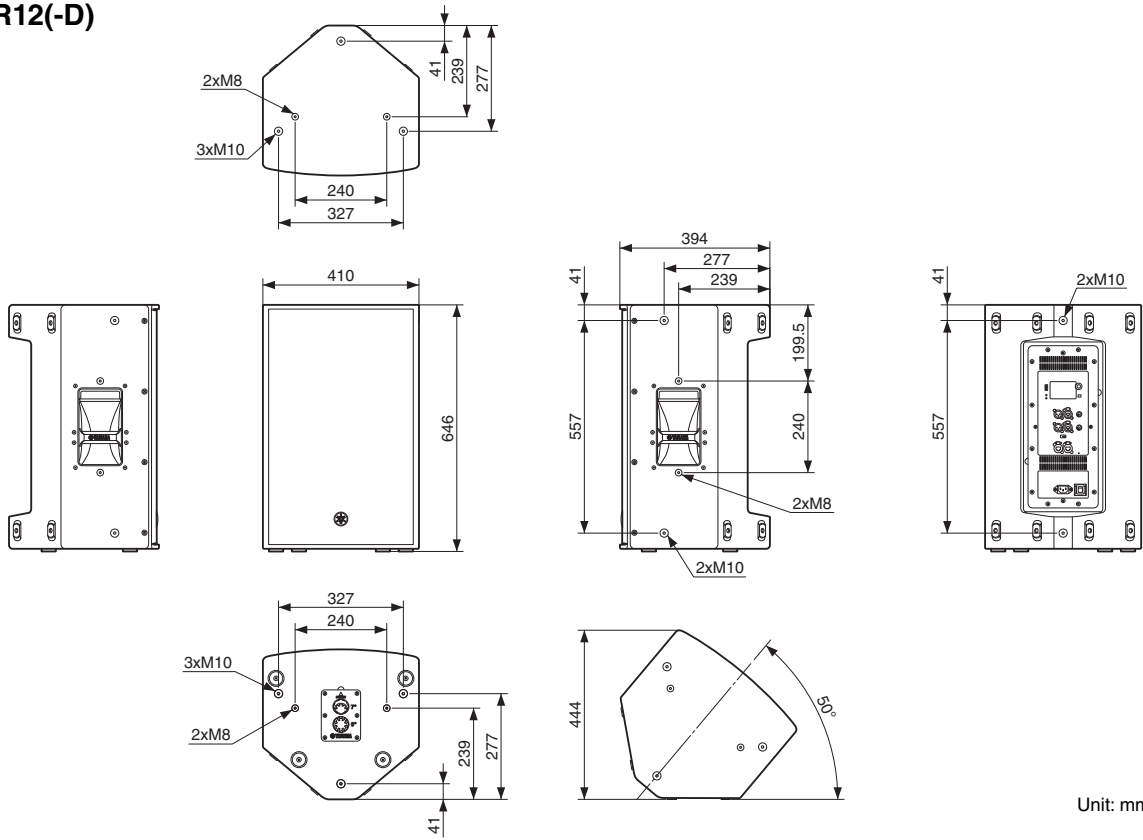
Italiano

Русский

한국어

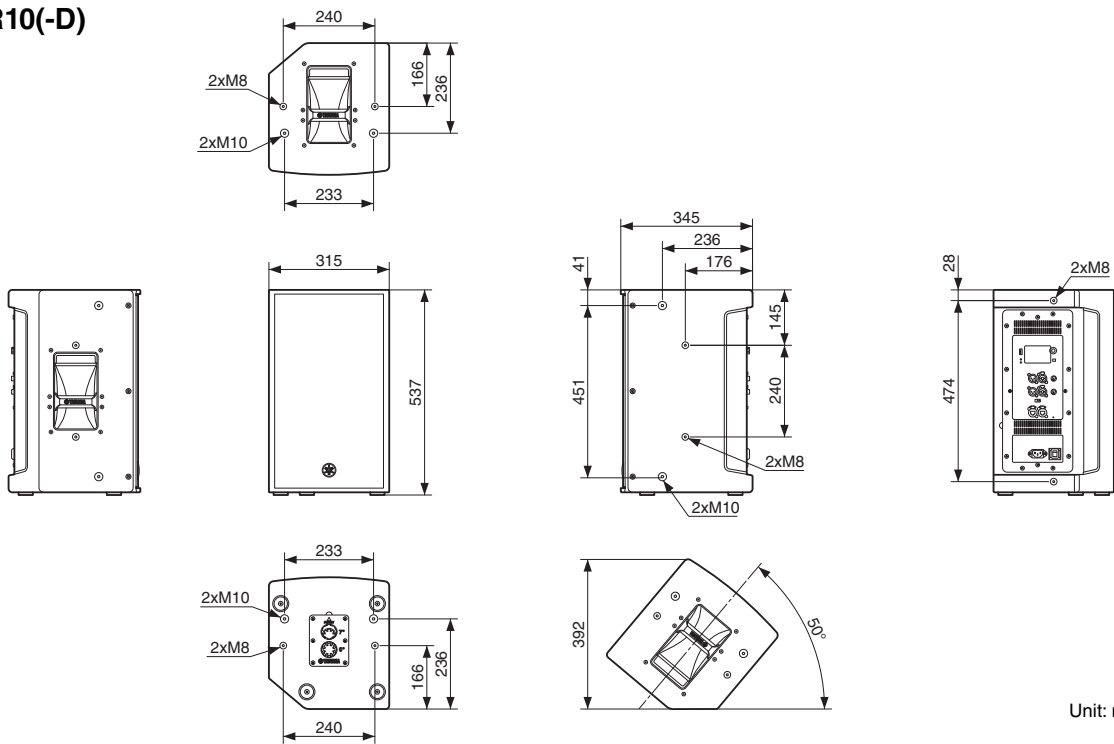
日本語

■ DZR12(-D)



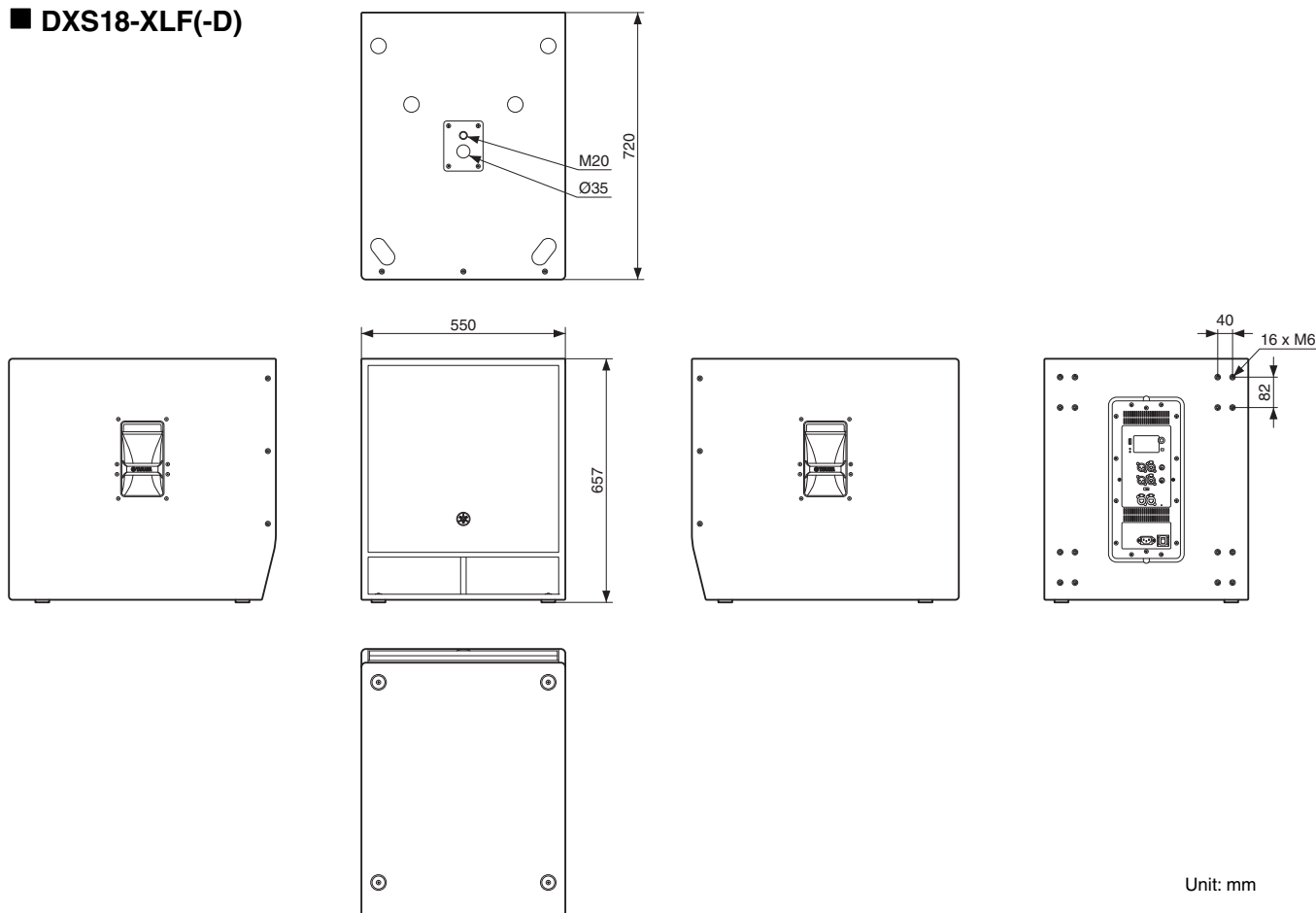
Unit: mm

■ DZR10(-D)

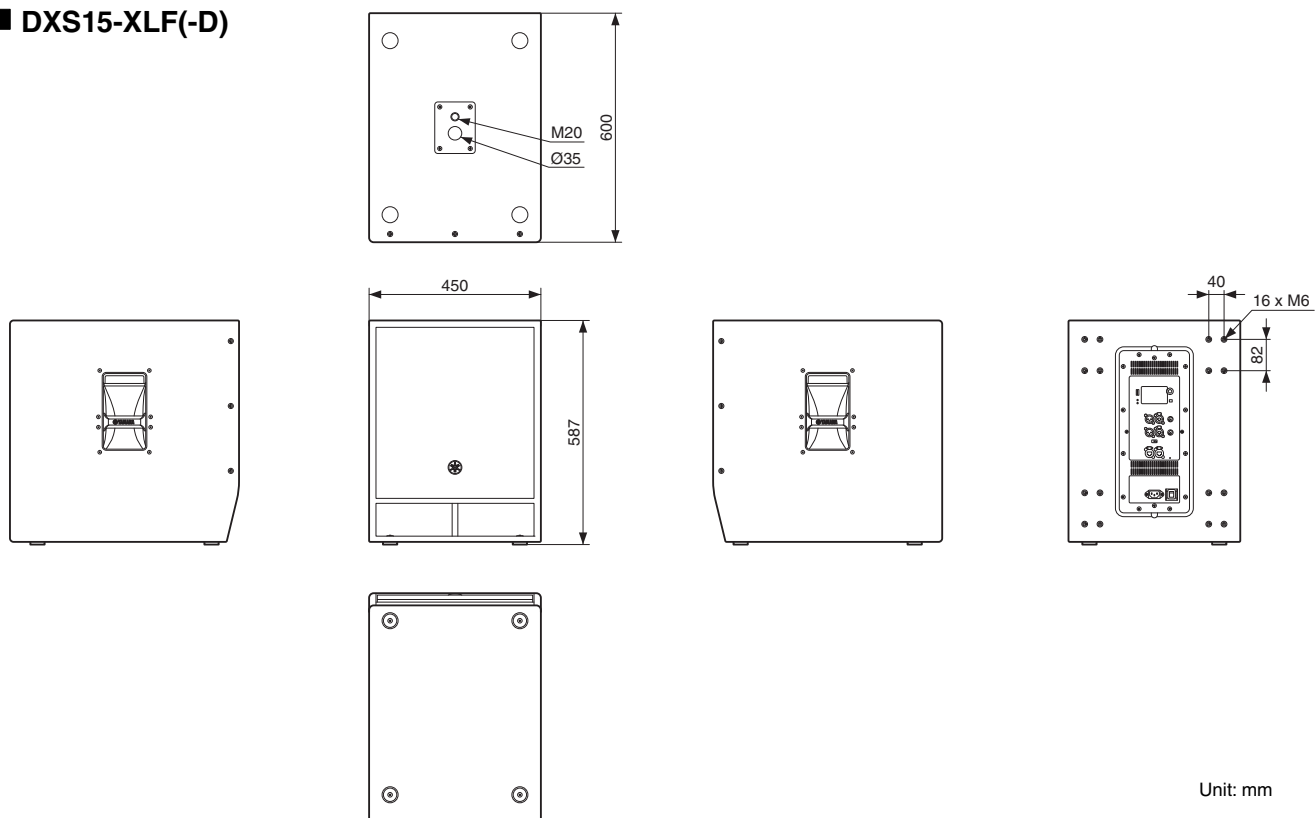


Unit: mm

■ DXS18-XLF(-D)



■ DXS15-XLF(-D)



English

Deutsch

Français

Español

Português

Italiano

Русский

한국어

日本語

About Using BSD-Licensed Software

EN

The software used by this product includes components that comply with the BSD license.

The restrictions placed on users of software released under a typical BSD license are that if they redistribute such software in any form, with or without modification, they must include in the redistribution (1) a disclaimer of liability, (2) the original copyright notice and (3) a list of licensing provisions. The following contents are displayed based on the licensing conditions described above, and do not govern your use of the product.

Über die Verwendung BSD-lizenzierter Software

DE

Die von diesem Produkt verwendete Software enthält Komponenten, die mit der BSD-Lizenz übereinstimmen.

Die Einschränkungen, die Anwendern von Software unter einer üblichen BSD-Lizenz auferlegt werden, bestehen darin, dass sie bei Weiterverbreitung solcher Software in jeglicher Form, mit oder ohne Modifikationen, (1) dieser einen Haftungsausschluss, (2) den originalen Urheberrechtsvermerk und (3) eine Liste der Lizenzierungsgebühren beifügen müssen. Die folgenden Inhalte werden auf Grundlage der oben beschriebenen Lizenzierungsbedingungen angegeben und regeln nicht Ihre Verwendung des Produkts.

À propos de l'utilisation du logiciel sous licence BSD

FR

Le logiciel utilisé par ce produit comprend des composants conformes aux termes de la licence BSD.

Les restrictions imposées aux utilisateurs du logiciel publié sous la licence BSD typique stipulent, pour les utilisateurs qui distribuent le logiciel sous quelque forme que ce soit, avec ou sans modification, l'exigence d'inclure au titre de la redistribution : (1) un désistement de responsabilité ; (2) la mention relative aux droits d'auteur originale ; et (3) une liste de dispositions en matière d'octroi de licence. Les contenus suivants sont affichés sur la base des conditions d'octroi de licence décrites ci-dessus, et ne régissent en aucun cas l'utilisation que vous faites du produit.

Información sobre el uso de software con licencia BSD

ES

El software que se utiliza en este producto incluye componentes que cumplen con la licencia BSD.

Las restricciones que son de aplicación a los usuarios del software suministrado con una licencia BSD típica exigen que, en caso de cualquier tipo de redistribución de dicho software, con o sin modificaciones, se incluya en la redistribución: (1) una exención de responsabilidades; (2) el aviso de derechos de autor (copyright) original; y (3) una lista de cláusulas de la licencia. El contenido siguiente se muestra de conformidad con las condiciones de licencia descritas anteriormente y no rigen el uso del producto por parte de usted.

Sobre o uso do software licenciado BSD

PT

O software usado por esse produto inclui componentes que estão em conformidade com a licença do BSD.

As restrições impostas a usuários do software distribuído sob uma típica licença BSD estabelecem que se eles redistribuírem tal software, sob qualquer forma, com ou sem modificações, deverão incluir (1) uma declaração de isenção de responsabilidade na redistribuição, (2) o aviso de direitos autorais original e (3) uma lista das cláusulas de licenciamento. O sumário a seguir será exibido com base nas condições de licenciamento descritas acima mas não regem seu uso do produto.

Informazioni sull'uso del software concesso in licenza da BSD

IT

Il software utilizzato da questo prodotto include componenti conformi alla licenza BSD.

Gli utenti del software rilasciato con una licenza tipica BSD sono soggetti a limitazioni, ad esempio se ridistribuiscono tale software in qualsiasi forma, con o senza modifiche, devono includere nella redistribuzione (1) una dichiarazione di non responsabilità, (2) l'avviso di copyright originale e (3) un elenco di disposizioni in materia di licenze. I contenuti di seguito vengono visualizzati in base alle condizioni di licenza sopra elencate e non regolamentano l'utilizzo del prodotto.

Об использовании лицензионного программного обеспечения BSD

RU

Программное обеспечение, используемое в данном устройстве, включает компоненты, соответствующие требованиям Программной лицензии университета Беркли (BSD).

Ограничения, налагаемые на пользователей программного обеспечения, выпускаемого под лицензией BSD, включают следующее: если пользователи распространяют подобное программное обеспечение в любом виде, в том числе без изменений, они должны включить в пакет: 1) отказ от принятия на себя ответственности; 2) оригинал уведомления об авторских правах; и 3) список положений о лицензировании.

Эти положения основаны на вышеизложенных условиях лицензирования и не касаются использования продукта вами.

BSD 라이선스가 적용된 소프트웨어의 사용에 관한 설명

KO

본 제품에 사용된 소프트웨어에는 BSD 라이선스를 준수하는 컴포넌트가 포함되어 있습니다.

일반적인 BSD 라이선스 하에 출시된 소프트웨어를 어떠한 형태로든 재배포할 경우 배포자는 소프트웨어 수정 여부와 상관없이 (1) 책임 면책 조항, (2) 원 저작권 고지 및 (3) 라이선스 규정 목록을 반드시 포함시켜야 합니다. 다음 내용은 위에 설명된 라이선스 조건을 기준으로 표시되었으며 제품 사용에는 영향을 미치지 않습니다.

BSD ライセンスソフトウェアの利用に関するお知らせ

JA

本製品はソフトウェアの一部にBSD ライセンスに従ったソフトウェアを利用しています。

BSD ライセンスとは、無保証の旨の明記、著作権表示、ライセンス条文一覧の表示を条件としてプログラムの再頒布が許諾されるソフトウェアのライセンス形式です。次の内容は、上記ライセンス条件にもとづき表示されるものであり、お客様の使用制限等を規定するものではありません。

IwIP is licenced under the BSD licence:

Copyright (c) 2001-2004 Swedish Institute of Computer Science.
All rights reserved.

Redistribution and use in source and binary forms, with or without modification, are permitted provided that the following conditions are met:

1. Redistributions of source code must retain the above copyright notice, this list of conditions and the following disclaimer.
2. Redistributions in binary form must reproduce the above copyright notice, this list of conditions and the following disclaimer in the documentation and/or other materials provided with the distribution.
3. The name of the author may not be used to endorse or promote products derived from this software without specific prior written permission.

THIS SOFTWARE IS PROVIDED BY THE AUTHOR "AS IS" AND ANY EXPRESS OR IMPLIED WARRANTIES, INCLUDING, BUT NOT LIMITED TO, THE IMPLIED WARRANTIES OF MERCHANTABILITY AND FITNESS FOR A PARTICULAR PURPOSE ARE DISCLAIMED. IN NO EVENT SHALL THE AUTHOR BE LIABLE FOR ANY DIRECT, INDIRECT, INCIDENTAL, SPECIAL, EXEMPLARY, OR CONSEQUENTIAL DAMAGES (INCLUDING, BUT NOT LIMITED TO, PROCUREMENT OF SUBSTITUTE GOODS OR SERVICES; LOSS OF USE, DATA, OR PROFITS; OR BUSINESS INTERRUPTION) HOWEVER CAUSED AND ON ANY THEORY OF LIABILITY, WHETHER IN CONTRACT, STRICT LIABILITY, OR TORT (INCLUDING NEGLIGENCE OR OTHERWISE) ARISING IN ANY WAY OUT OF THE USE OF THIS SOFTWARE, EVEN IF ADVISED OF THE POSSIBILITY OF SUCH DAMAGE.

English

Deutsch

Français

Español

Português

Italiano

Русский

한국어

日本語

Information for users on collection and disposal of old equipment:



This symbol on the products, packaging, and/or accompanying documents means that used electrical and electronic products should not be mixed with general household waste.

For proper treatment, recovery and recycling of old products, please take them to applicable collection points, in accordance with your national legislation.

By disposing of these products correctly, you will help to save valuable resources and prevent any potential negative effects on human health and the environment which could otherwise arise from inappropriate waste handling.

For more information about collection and recycling of old products, please contact your local municipality, your waste disposal service or the point of sale where you purchased the items.

For business users in the European Union:

If you wish to discard electrical and electronic equipment, please contact your dealer or supplier for further information.

Information on Disposal in other Countries outside the European Union:

This symbol is only valid in the European Union. If you wish to discard these items, please contact your local authorities or dealer and ask for the correct method of disposal.

(weee_eu_en_02)

Verbraucherinformation zur Sammlung und Entsorgung alter Elektrogeräte



Befindet sich dieses Symbol auf den Produkten, der Verpackung und/oder beiliegenden Unterlagen, so sollten benutzte elektrische Geräte nicht mit dem normalen Haushaltsabfall entsorgt werden.

In Übereinstimmung mit Ihren nationalen Bestimmungen bringen Sie alte Geräte bitte zur fachgerechten Entsorgung, Wiederaufbereitung und Wiederverwendung zu den entsprechenden Sammelstellen.

Durch die fachgerechte Entsorgung der Elektrogeräte helfen Sie, wertvolle Ressourcen zu schützen, und verhindern mögliche negative Auswirkungen auf die menschliche Gesundheit und die Umwelt, die andernfalls durch unsachgerechte Müllentsorgung auftreten könnten.

Für weitere Informationen zum Sammeln und Wiederaufbereiten alter Elektrogeräte kontaktieren Sie bitte Ihre örtliche Stadt- oder Gemeindeverwaltung, Ihren Abfallentsorgungsdienst oder die Verkaufsstelle der Artikel.

Information für geschäftliche Anwender in der Europäischen Union:

Wenn Sie Elektrogeräte ausrangieren möchten, kontaktieren Sie bitte Ihren Händler oder Zulieferer für weitere Informationen.

Entsorgungsinformation für Länder außerhalb der Europäischen Union:

Dieses Symbol gilt nur innerhalb der Europäischen Union. Wenn Sie solche Artikel ausrangieren möchten, kontaktieren Sie bitte Ihre örtlichen Behörden oder Ihren Händler und fragen Sie nach der sachgerechten Entsorgungsmethode.

(weee_eu_de_02)

Informations concernant la collecte et le traitement des déchets d'équipements électriques et électroniques



Le symbole sur les produits, l'emballage et/ou les documents joints signifie que les produits électriques ou électroniques usagés ne doivent pas être mélangés avec les déchets domestiques habituels.

Pour un traitement, une récupération et un recyclage appropriés des déchets d'équipements électriques et électroniques, veuillez les déposer aux points de collecte prévus à cet effet, conformément à la réglementation nationale.

En vous débarrassant correctement des déchets d'équipements électriques et électroniques, vous contribuerez à la sauvegarde de précieuses ressources et à la prévention de potentiels effets négatifs sur la santé humaine qui pourraient advenir lors d'un traitement inapproprié des déchets.

Pour plus d'informations à propos de la collecte et du recyclage des déchets d'équipements électriques et électroniques, veuillez contacter votre municipalité, votre service de traitement des déchets ou le point de vente où vous avez acheté les produits.

Pour les professionnels dans l'Union européenne :

Si vous souhaitez vous débarrasser des déchets d'équipements électriques et électroniques, veuillez contacter votre vendeur ou fournisseur pour plus d'informations.

Informations sur la mise au rebut dans d'autres pays en dehors de l'Union européenne :

Ce symbole est seulement valable dans l'Union européenne. Si vous souhaitez vous débarrasser de déchets d'équipements électriques et électroniques, veuillez contacter les autorités locales ou votre fournisseur et demander la méthode de traitement appropriée.

(weee_eu_fr_02)

Información para usuarios sobre la recogida y eliminación de los equipos antiguos



Este símbolo en los productos, embalajes y documentos anexos significa que los productos eléctricos y electrónicos no deben mezclarse con los desperdicios domésticos normales.

Para el tratamiento, recuperación y reciclaje apropiados de los productos antiguos, llévelos a puntos de reciclaje correspondientes, de acuerdo con la legislación nacional.

Al deshacerse de estos productos de forma correcta, ayudará a ahorrar recursos valiosos y a impedir los posibles efectos desfavorables en la salud humana y en el entorno que de otro modo se producirían si se trataran los desperdicios de modo inapropiado.

Para obtener más información acerca de la recogida y el reciclaje de los productos antiguos, póngase en contacto con las autoridades locales, con el servicio de eliminación de basuras o con el punto de venta donde adquirió los artículos.

Para los usuarios empresariales de la Unión Europea:

Si desea desechar equipos eléctricos y electrónicos, póngase en contacto con su vendedor o proveedor para obtener más información.

Información sobre la eliminación en otros países fuera de la Unión Europea:

Este símbolo solo es válido en la Unión Europea. Si desea desechar estos artículos, póngase en contacto con las autoridades locales o con el vendedor y pregúnteles el método correcto.

(weee_eu_es_02)

Informações para os utilizadores relativas à recolha e eliminação de equipamentos usados



Este símbolo, presente em produtos, embalagens e/ou incluído na documentação associada, indica que os produtos elétricos e eletrónicos usados não devem ser eliminados juntamente com os resíduos domésticos em geral.

O procedimento correto consiste no tratamento, recuperação e reciclagem de produtos usados, pelo que deve proceder à respetiva entrega nos pontos de recolha adequados, em conformidade com a legislação nacional em vigor.

A eliminação destes produtos de forma adequada permite poupar recursos valiosos e evitar potenciais efeitos prejudiciais para a saúde pública e para o ambiente, associados ao processamento incorreto dos resíduos.

Para mais informações relativas à recolha e reciclagem de produtos usados, contacte as autoridades locais, o serviço de eliminação de resíduos ou o ponto de venda onde foram adquiridos os itens relevantes.

Informações para utilizadores empresariais na União Europeia:

Para proceder à eliminação de equipamento eléctrico e eletrónico, contacte o seu revendedor ou fornecedor para obter informações adicionais.

Informações relativas à eliminação em países não pertencentes à União Europeia:

Este símbolo é válido exclusivamente na União Europeia. Caso pretenda eliminar este tipo de itens, contacte as autoridades locais ou o seu revendedor e informe-se acerca do procedimento correto para proceder à respetiva eliminação.

(weee_eu_pt_02a)

Informazioni per gli utenti sulla raccolta e lo smaltimento di vecchia attrezzatura



Questi simboli sui prodotti, sull'imballaggio e/o sui documenti che li accompagnano, indicano che i prodotti elettrici ed elettronici non devono essere mischiati con i rifiuti generici.

Per il trattamento, il recupero e il riciclaggio appropriato di vecchi prodotti, si prega di portarli ai punti di raccolta designati, in accordo con la legislazione locale.

Smaltendo correttamente questi prodotti si potranno recuperare risorse preziose, oltre a prevenire potenziali effetti negativi sulla salute e l'ambiente che potrebbero sorgere a causa del trattamento improprio dei rifiuti.

Per ulteriori informazioni sulla raccolta e il riciclaggio di vecchi prodotti, si prega di contattare l'amministrazione comunale locale, il servizio di smaltimento dei rifiuti o il punto vendita dove sono stati acquistati gli articoli.

Per utenti imprenditori dell'Unione europea:

Se si desidera scartare attrezzatura elettrica ed elettronica, si prega di contattare il proprio rivenditore o il proprio fornitore per ulteriori informazioni.

Informazioni sullo smaltimento negli altri Paesi al di fuori dell'Unione europea:

Questi simboli sono validi solamente nell'Unione Europea; se si desidera scartare questi articoli, si prega di contattare le autorità locali o il rivenditore e richiedere informazioni sulla corretta modalità di smaltimento.

(weee_eu_it_02)

Important Notice: Guarantee Information for customers in European Economic Area (EEA) and Switzerland

<p>Important Notice: Guarantee Information for customers in EEA* and Switzerland</p> <p>For detailed guarantee information about this Yamaha product, and Pan-EEA* and Switzerland warranty service, please either visit the website address below (Printable file is available at our website) or contact the Yamaha representative office for your country. * EEA: European Economic Area</p>	English
<p>Wichtiger Hinweis: Garantie-Information für Kunden in der EWR* und der Schweiz</p> <p>Für nähere Garantie-Information über dieses Produkt von Yamaha, sowie über den Pan-EWR*- und Schweizer Garantieservice, besuchen Sie bitte entweder die folgend angegebene Internetadresse (eine druckfähige Version befindet sich auch auf unserer Webseite), oder wenden Sie sich an den für Ihr Land zuständigen Yamaha-Vertrieb. *EWR: Europäischer Wirtschaftsraum</p>	Deutsch
<p>Remarque importante: informations de garantie pour les clients de l'EEE et la Suisse</p> <p>Pour des informations plus détaillées sur la garantie de ce produit Yamaha et sur le service de garantie applicable dans l'ensemble de l'EEE ainsi qu'en Suisse, consultez notre site Web à l'adresse ci-dessous (le fichier imprimable est disponible sur notre site Web) ou contactez directement Yamaha dans votre pays de résidence. * EEE : Espace Economique Européen</p>	Français
<p>Belangrijke mededeling: Garantie-informatie voor klanten in de EER* en Zwitserland</p> <p>Voor gedetailleerde garantie-informatie over dit Yamaha-product en de garantieservice in heel de EER* en Zwitserland, gaat u naar de onderstaande website (u vindt een afdrukbaar bestand op onze website) of neemt u contact op met de vertegenwoordiging van Yamaha in uw land. * EER: Europese Economische Ruimte</p>	Nederlands
<p>Aviso importante: información sobre la garantía para los clientes del EEE* y Suiza</p> <p>Para una información detallada sobre este producto Yamaha y sobre el soporte de garantía en la zona EEE* y Suiza, visite la dirección web que se incluye más abajo (la versión del archivo para imprimir esta disponible en nuestro sitio web) o póngase en contacto con el representante de Yamaha en su país. * EEE: Espacio Económico Europeo</p>	Español
<p>Avviso importante: informazioni sulla garanzia per i clienti residenti nell'EEA* e in Svizzera</p> <p>Per informazioni dettagliate sulla garanzia relativa a questo prodotto Yamaha e l'assistenza in garanzia nei paesi EEA* e in Svizzera, potete consultare il sito Web all'indirizzo riportato di seguito (è disponibile il file in formato stampabile) oppure contattare l'ufficio di rappresentanza locale della Yamaha. * EEA: Area Economica Europea</p>	Italiano
<p>Aviso importante: informações sobre as garantias para clientes da AEE* e da Suíça</p> <p>Para obter uma informação pormenorizada sobre este produto da Yamaha e sobre o serviço de garantia na AEE* e na Suíça, visite o site a seguir (o arquivo para impressão está disponível no nosso site) ou entre em contato com o escritório de representação da Yamaha no seu país. * AEE: Área Económica Européia</p>	Português
<p>Σημαντική σημείωση: Πληροφορίες εγγύησης για τους πελάτες στον ΕΟΧ* και Ελλάδα</p> <p>Για λεπτομερείς πληροφορίες εγγύησης σχετικά με το παρόν προϊόν της Yamaha και την κάλυψη εγγύησης σε όλες τις χώρες του ΕΟΧ και την Ελλάδα, επισκεφτείτε την παρακάτω ιστοσελίδα (Εκτυπώσιμη μορφή είναι διαθέσιμη στην ιστοσελίδα μας) ή απευθυνθείτε στην αντιπροσωπεία της Yamaha στη χώρα σας. * ΕΟΧ: Ευρωπαϊκός Οικονομικός Χώρος</p>	Ελληνικά
<p>Viktigt: Garantiinformation för kunder i EES-området* och Schweiz</p> <p>För detaljerad information om denna Yamaha-produkt samt garantiservice i hela EES-området* och Schweiz kan du antingen besöka nedanstående webbadress (en utskriftsvänlig fil finns på webbplatsen) eller kontakta Yamahas officiella representant i ditt land. * EES: Europeiska Ekonomiska Samarbetsområdet</p>	Svenska
<p>Viktig merknad: Garantiinformasjon for kunder i EØS* og Sveits</p> <p>Detaljert garantiinformasjon om dette Yamaha-produktet og garantiservice for hele EØS-området* og Sveits kan fås enten ved å besøke nettstedene nedenfor (utskriftsversjon finnes på våre nettsider) eller kontakte kontakke Yamaha-kontoret i landet der du bor. *EØS: Det europeiske økonomiske samarbeidsområdet</p>	Norsk
<p>Vigtig oplysning: Garantioplysninger til kunder i EØO* og Schweiz</p> <p>De kan finde detaljerede garantioplysninger om dette Yamaha-produkt og den fælles garantiserviceordning for EØO* (og Schweiz) ved at besøge det websted, der er angivet nedenfor (der findes en fil, som kan udskrives, på vores websted), eller ved at kontakte Yamahas nationale repræsentationskontor i det land, hvor De bor. * EØO: Det Europæiske Økonomiske Område</p>	Dansk
<p>Tärkeä ilmoitus: Takuutiedot Euroopan talousalueen (ETA)* ja Sveitsin asiakkaille</p> <p>Tämä on teabe saamiseks selle Yamaha toote garantii ning kogu Euroopa Majanduspiirkonna ja Šveitsi garantiiteeniduse kohta, külastage palun veebisaiti alljärgneval aadressil (meie saidil on saadaval printitav fail) või pöörduge Teie regiooni Yamaha esinduse poole. *ETA: Euroopan talousalue</p>	Suomi
<p>Ważne: Warunki gwarancyjne obowiązujące w EOG* i Szwajcarii</p> <p>Aby dowiedzieć się więcej na temat warunków gwarancyjnych tego produktu firmy Yamaha i serwisu gwarancyjnego w całym EOG* i Szwajcarii, należy odwiedzić wskazaną poniżej stronę internetową (Plik gotowy do wydruku znajduje się na naszej stronie internetowej) lub skontaktować się z przedstawicielstwem firmy Yamaha w swoim kraju. * EOG — Europejski Obszar Gospodarczy</p>	Polski
<p>Důležité oznámení: Záruční informace pro zákazníky v EHS* a ve Švýcarsku</p> <p>Podrobné záruční informace o tomto produktu Yamaha a záručním servisu v celém EHS* a ve Švýcarsku naleznete na níže uvedené webové adrese (soubor k tisku je dostupný na našich webových stránkách) nebo se můžete obrátit na zastoupení firmy Yamaha ve své zemi. * EHS: Evropský hospodářský prostor</p>	Česky
<p>Fontos figyelemztetés: Garancia-információk az EGT* területén és Svájcban élő vásárlók számára</p> <p>A jelen Yamaha termékre vonatkozó részletes garancia-információk, valamint az EGT*-re és Svájcra kiterjedő garanciális szolgáltatás tekintetében keresse fel webhelyünket az alábbi címen (a webhelyen nyomtatható fájl is található), vagy pedig lépjen kapcsolatba az országában működő Yamaha képviselői irodával. * EGT: Európai Gazdasági Térség</p>	Magyar
<p>Oluline märkus: Garantiiteave Euroopa Majanduspiirkonna (EMP)* ja Šveitsi klientidele</p> <p>Täpsema teabe saamiseks selle Yamaha toote garantii ning kogu Euroopa Majanduspiirkonna ja Šveitsi garantiiteeniduse kohta, külastage palun veebisaiti alljärgneval aadressil (meie saidil on saadaval printitav fail) või pöörduge Teie regiooni Yamaha esinduse poole. * EMP: Euroopa Majanduspiirkond</p>	Eesti keel
<p>Svarīgs paziņojums: garantijas informācija klientiem EEZ* un Šveicē</p> <p>Lai saņemtu detalizētu garantijas informāciju par šo Yamaha produktu, kā arī garantijas apkalpošanu EEZ* un Šveicē, lūdzu, apmeklējiet zemāk norādīto tīmekļa vietnes adresi (tīmekļa vietnē ir pieejams drukājams fails) vai sazinieties ar jūsu valsti apkalpojošo Yamaha pārstāvniecību. * EEZ: Eiropas Ekonomikas zona</p>	Latviešu
<p>Dėmesio: informacija dėl garantijos pirkėjams EEE* ir Šveicarijoje</p> <p>Jeį reikia išsamios informacijos apie šį „Yamaha“ produktą ir jo techninę priežiūrą visoje EEE* ir Šveicarijoje, apsilankykite mūsų svetainėje toliau nurodytu adresu (svetainėje yra spausdintinas failas) arba kreipkitės į „Yamaha“ atstovybę savo šalyje. *EEE – Europos ekonominė erdvė</p>	Lietuvių kalba
<p>Dôležité upozornenie: Informácie o záruke pre zákazníkov v EHP* a Švajčiarsku</p> <p>Podrobné informácie o záruke týkajúce sa tohto produktu od spoločnosti Yamaha a garančnom servise v EHP* a Švajčiarsku nájdete na webovej stránke uvedenej nižšie (na našej webovej stránke je k dispozícii súbor na tlač) alebo sa obráťte na zástupcu spoločnosti Yamaha vo svojej krajine. * EHP: Európsky hospodársky priestor</p>	Slovenčina
<p>Pomembno obvestilo: Informacije o garanciji za kupce v EGP* in Švici</p> <p>Za podrobnejše informacije o tem Yamahinem izdelku ter garancijskem servisu v celotnem EGP in Švici, obiščite spletno mesto, ki je navedeno spodaj (natisljiva datoteka je na voljo na našem spletnem mestu), ali se obrnite na Yamahinega predstavnika v svoji državi. * EGP: Evropski gospodarski prostor</p>	Slovenščina
<p>Важно съобщение: Информация за гаранцията за клиенти в ЕИП* и Швейцария</p> <p>За подробна информация за гаранцията за този продукт на Yamaha и гаранционното обслужване в паневропейската зона на ЕИП* и Швейцария или посетете посочения по-долу уеб сайт (на нашия уеб сайт има файл за печат), или се свържете с представителния офис на Yamaha във вашата страна. * ЕИП: Европейско икономическо пространство</p>	Български език
<p>Notificare importantă: Informații despre garanție pentru clienții din SEE* și Elveția</p> <p>Pentru informații detaliate privind acest produs Yamaha și serviciul de garanție Pan-SEE* și Elveția, vizitați site-ul la adresa de mai jos (fișierul imprimabil este disponibil pe site-ul nostru) sau contactați biroul reprezentanței Yamaha din țara dumneavoastră. * SEE: Spațiul Economic European</p>	Limba română
<p>Važna obavijest: Informacije o jamstvu za države EGP-a i Švicarske</p> <p>Za detaljne informacije o jamstvu za ovaj Yamahin proizvod te jamstvenom servisu za cijeli EGP i Švicarsku, molimo Vas da posjetite web-stranicu navedenu u nastavku ili kontaktirate ovlaštenog Yamahinog dobavljača u svojoj zemlji. * EGP: Evropski gospodarski prostor</p>	Hrvatski

<https://europe.yamaha.com/warranty/>

URL_5

Yamaha Worldwide Representative Offices

English

For details on the product(s), contact your nearest Yamaha representative or the authorized distributor, found by accessing the 2D barcode below.

Deutsch

Wenden Sie sich für nähere Informationen zu Produkten an eine Yamaha-Vertretung oder einen autorisierten Händler in Ihrer Nähe. Diese finden Sie mithilfe des unten abgebildeten 2D-Strichodes.

Français

Pour obtenir des informations sur le ou les produits, contactez votre représentant ou revendeur agréé Yamaha le plus proche. Vous le trouverez à l'aide du code-barres 2D ci-dessous.

Español

Para ver información detallada sobre el producto, contacte con su representante o distribuidor autorizado Yamaha más cercano. Lo encontrará escaneando el siguiente código de barras 2D.

Italiano

Per dettagli sui prodotti, contattare il rappresentante Yamaha o il distributore autorizzato più vicino, che è possibile trovare tramite il codice a barre 2D in basso.

Português

Para mais informações sobre o(s) produto(s), fale com seu representante da Yamaha mais próximo ou com o distribuidor autorizado acessando o código de barras 2D abaixo.

Русский

Чтобы узнать подробнее о продукте (продуктах), свяжитесь с ближайшим представителем или авторизованным дистрибьютором Yamaha, воспользовавшись двухмерным штрихкодом ниже.

简体中文

如需有关产品的详细信息，请联系距您最近的Yamaha代表或授权经销商，可通过访问下方的2D条形码找到这些代表或经销商的信息。

繁體中文

如需產品的詳細資訊，請聯絡與您距離最近的Yamaha銷售代表或授權經銷商，您可以掃描下方的二維條碼查看相關聯絡資料。

한국어

제품에 대한 자세한 정보는 아래 2D 바코드에 액세스하여 가까운 Yamaha 담당 판매점 또는 공식 대리점에 문의하십시오.



https://manual.yamaha.com/pa/address_list/

Yamaha Pro Audio global website
<https://www.yamahaproaudio.com/>

Yamaha Downloads
<https://download.yamaha.com/>

© 2018 Yamaha Corporation
Published 04/2024
IPEI-C0



VHF6990