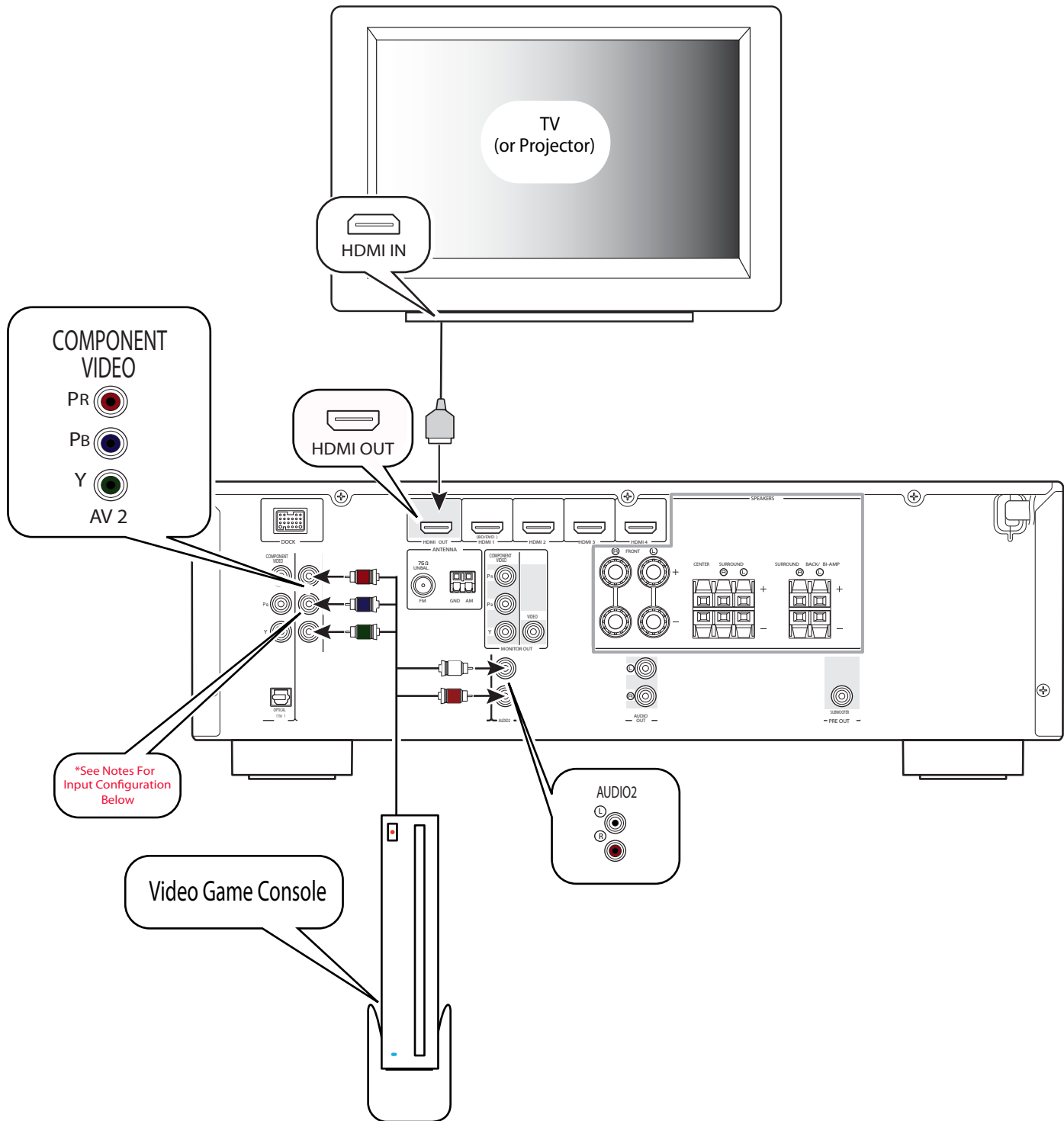


# Hooking up Component Video/Analog Audio Game Console to a RX-V565/HTR-6250 with HDMI out to TV



## Notes:

The Component Input AV #2 will need to be associated to the Audio #2 input. Please see page 2 of this document for detailed instructions on setting that feature up.

How do I connect up my **Nintendo Wii** Game system using the **Component Video/Stereo Analog** cables to my **RX-Vx65** or **HTR-62xx** Yamaha A/V Receiver?

1. Connect **Component Video Cables** from **Nintendo Wii** to **AV2** input on **Receiver**.
2. Connect **Stereo/Analog Red & White** audio cables from **Nintendo Wii** to **Audio 2** on **Receiver**.
3. Walk up to the front of the receiver and select **Audio 2** on the **Receiver Remote Control**.
4. Press the **Option** button on **Receiver Remote Control** and **Volume Trim** appear on the front display of **Receiver**.
5. Using **Arrow** down button on **Receiver Remote Control**, scroll down to **Video Out**. (If there is **"NO"** an option for **Video Out**, see instructions below.)
6. Press **Enter** button on the **Receiver Remote Control** to enter **Video Out Menu**.
7. Use **Arrow** button to the **Right** to move to **AV2** selection.
8. Press **Option** button to exit **Option Menu**.
9. When **Audio 2** is selected on the **Receiver** it will look to **AV2 Component Video** for video signal.

If the **Receiver** does not have an option for **Video Output** then the receiver will need a **Firmware Update**.

Please visit: <http://www.yamaha.com/yec/> In the **Search Window** on left side of page type your receiver model number the press **Search** button. (**Example: RX-V765** or **HTR-6260**)

This will take you to the **Product Page** for your receiver. Click on the **Download Tab** and it will direct you to the **Download Page** for the product.

On the bottom of the page you will find downloads that are available for that product.

Always click on the latest firmware update. (You will only need to do the latest one unless otherwise noted.) The **Adobe PDF file** will come up with instructions. (**Please note that the link for the firmware is imbedded in the Adobe PDF file.**) Please download the **Owner's Manual Addendum** for instructions on using the newly added features.