

NS-WSW160

Wireless Subwoofer
Enceinte de basses fréquences sans fils





English

Français

Owner's Manual
Mode d'emploi

IMPORTANT SAFETY INSTRUCTIONS

	CAUTION RISK OF ELECTRIC SHOCK DO NOT OPEN	
CAUTION: TO REDUCE THE RISK OF ELECTRIC SHOCK, DO NOT REMOVE COVER (OR BACK). NO USER-SERVICEABLE PARTS INSIDE. REFER SERVICING TO QUALIFIED SERVICE PERSONNEL.		

■ Explanation of Graphical Symbols



The lightning flash with arrowhead symbol, within an equilateral triangle, is intended to alert you to the presence of uninsulated “dangerous voltage” within the product’s enclosure that may be of sufficient magnitude to constitute a risk of electric shock to persons.



The exclamation point within an equilateral triangle is intended to alert you to the presence of important operating and maintenance (servicing) instructions in the literature accompanying the appliance.

- 1 Read these instructions.
- 2 Keep these instructions.
- 3 Heed all warnings.
- 4 Follow all instructions.
- 5 Do not use this apparatus near water.
- 6 Clean only with dry cloth.
- 7 Do not block any ventilation openings. Install in accordance with the manufacturer’s instructions.
- 8 Do not install near any heat sources such as radiators, heat registers, stoves, or other apparatus (including amplifiers) that produce heat.
- 9 Do not defeat the safety purpose of the polarized or grounding-type plug. A polarized plug has two blades with one wider than the other. A grounding type plug has two blades and a third grounding prong. The wide blade or the third prong are provided for your safety. If the provided plug does not fit into your outlet, consult an electrician for replacement of the obsolete outlet.
- 10 Protect the power cord from being walked on or pinched particularly at plugs, convenience receptacles, and the point where they exit from the apparatus.
- 11 Only use attachments/accessories specified by the manufacturer.
- 12 Use only with the cart, stand, tripod, bracket, or table specified by the manufacturer, or sold with the apparatus. When a cart is used, use caution when moving the cart/apparatus combination to avoid injury from tip-over.
- 13 Unplug this apparatus during lightning storms or when unused for long periods of time.
- 14 Refer all servicing to qualified service personnel. Servicing is required when the apparatus has been damaged in any way, such as power-supply cord or plug is damaged, liquid has been spilled or objects have fallen into the apparatus, the apparatus has been exposed to rain or moisture, does not operate normally, or has been dropped.



We Want You Listening For A Lifetime

Yamaha and the Electronic Industries Association’s Consumer Electronics Group want you to get the most out of your equipment by playing it at a safe level. One that lets the sound come through loud and clear without annoying blaring or distortion – and, most importantly, without affecting your sensitive hearing.

Since hearing damage from loud sounds is often undetectable until it is too late, Yamaha and the Electronic Industries Association’s Consumer Electronics Group recommend you to avoid prolonged exposure from excessive volume levels.



IMPORTANT

Please record the serial number of this unit in the space below.

MODEL:

Serial No.:

The serial number is located on the rear of the unit.

Retain this Owner’s Manual in a safe place for future reference.

FCC INFORMATION (for US customers)

1. 1 IMPORTANT NOTICE: DO NOT MODIFY THIS UNIT!

This product, when installed as indicated in the instructions contained in this manual, meets FCC requirements.

Modifications not expressly approved by Yamaha may void your authority, granted by the FCC, to use the product.

2. **IMPORTANT:** When connecting this product to accessories and/or another product use only high quality shielded cables. Cable/s supplied with this product **MUST** be used. Follow all installation instructions. Failure to follow instructions could void your FCC authorization to use this product in the USA.
3. **NOTE:** This product has been tested and found to comply with the requirements listed in FCC Regulations, Part 15 for Class “B” digital devices. Compliance with these requirements provides a reasonable level of assurance that your use of this product in a residential environment will not result in harmful interference with other electronic devices.

This equipment generates/uses radio frequencies and, if not installed and used according to the instructions found in the users manual, may cause interference harmful to the operation of other electronic devices.

Compliance with FCC regulations does not guarantee that interference will not occur in all installations. If this product is found to be the source of interference, which can be determined by turning the unit “OFF” and “ON”, please try to eliminate the problem by using one of the following measures:

Relocate either this product or the device that is being affected by the interference.

Utilize power outlets that are on different branch (circuit breaker or fuse) circuits or install AC line filter/s.

In the case of radio or TV interference, relocate/reorient the antenna. If the antenna lead-in is 300 ohm ribbon lead, change the lead-in to coaxial type cable.

If these corrective measures do not produce satisfactory results, please contact the local retailer authorized to distribute this type of product. If you can not locate the appropriate retailer, please contact Yamaha Corporation of America A/V Division, 6600 Orangethorpe Ave., Buena Park, CA 90620.

The above statements apply **ONLY** to those products distributed by Yamaha Corporation of America or its subsidiaries.

- This device complies with Part 15 of the FCC Rules and Industry Canada licence-exempt RSS standard(s).
- Operation is subject to the following two conditions: 1) this device may not cause harmful interference, and 2) this device must accept any interference received including interference that may cause undesired operation.
See the “Troubleshooting” section at the end of this manual if interference to radio reception is suspected.

FCC WARNING

Change or modifications not expressly approved by the party responsible for compliance could void the user’s authority to operate the equipment.

NOTICE

This equipment has been tested and found to comply with the limits for a Class B digital device, pursuant to part 15 of the FCC Rules. These limits are designed to provide reasonable protection against harmful interference in a residential installation.

This equipment generates, uses and can radiate radio frequency energy and, if not installed and used in accordance with the instructions, may cause harmful interference to radio communications. However, there is no guarantee that interference will not occur in a particular installation. If this equipment does cause harmful interference to radio or television reception, which can be determined by turning the equipment off and on, the user is encouraged to try to correct the interference by one or more of the following measures:

- Reorient or relocate the receiving antenna.
- Increase the separation between the equipment and receiver.
- Connect the equipment into an outlet on a circuit different from that to which the receiver is connected.
- Consult the dealer or an experienced radio/TV technician for help.

This equipment complies with FCC/IC radiation exposure limits set forth for uncontrolled equipment and meets the FCC radio frequency (RF) Exposure Guidelines in Supplement C to OET65 and RSS-102 of the IC radio frequency (RF) Exposure rules. This equipment has very low levels of RF energy that it deemed to comply without maximum permissive exposure evaluation (MPE). But it is desirable that it should be installed and operated with at least 20 cm and more between the radiator and person’s body (excluding extremities: hands, wrists, feet and ankles).

This transmitter must not be co-located or operated in conjunction with any other antenna or transmitter.

FOR CANADIAN CUSTOMERS

To prevent electric shock, match wide blade of plug to wide slot and fully insert.

This Class B digital apparatus complies with Canadian ICES-003.

Caution: Read this before operating this unit.

- To assure the finest performance, please read this manual carefully. Keep it in a safe place for future reference.
- Install this unit in a cool, dry, clean place - away from windows, heat sources, sources of excessive vibration, dust, moisture and cold. Avoid sources of humming (transformers, motors). To prevent fire or electrical shock, do not expose this unit to rain or water.
- The voltage to be used must be the same as that specified on the rear panel. Using this unit with a higher voltage than specified is dangerous and may cause a fire and/or electric shock.
- Do not use force on switches, controls or connection wires. When moving the unit, first disconnect the power plug and the wires connected to other equipment. Never pull the wires themselves.
- When not planning to use this unit for a long period (i.e., vacation, etc.), disconnect the AC power plug from the wall outlet.
- To prevent lightning damage, disconnect the AC power plug when there is an electric storm.
- Since this unit has a built-in power amplifier, heat will radiate from the rear panel. Place the unit apart from the walls, allowing at least 20 cm of space above, behind and on both sides of the unit to prevent fire or damage.
Furthermore, do not position with the rear panel facing down on the floor or other surfaces.
- Do not cover the rear panel of this unit with a newspaper, a tablecloth, a curtain, etc., in order not to obstruct heat radiation. If the temperature inside the unit rises, it may cause fire, damage to the unit and/or personal injury.
- Do not place the following objects on this unit:
 - Glass, china, small metallic, etc.
If glass, etc., falls as a result of vibrations and breaks, it may cause bodily injury.
 - A burning candle etc.
If the candle falls as a result of vibration, it may cause fire and bodily injury.
 - A vessel containing water
If the vessel falls as a result of vibration and water spills, it may cause damage to the speaker, and/or you may get an electric shock.
- Do not place this unit where foreign material, such as dripping water. It might cause fire, damage to this unit, and/or personal injury.
- Never put a hand or a foreign object into the YST port located on the right side of this unit. When moving this unit, do not hold the port, as it might cause personal injury and/or damage to this unit.
- Never place a fragile object near the YST port of this unit. If the object falls or drops as a result of the air pressure, it may cause damage to the unit and/or personal injury.
- Never open the cabinet. It might cause an electric shock, since this unit uses a high voltage. It might also cause personal injury and/or damage to this unit. If something drops into the set, contact your dealer.
- When using a humidifier, be sure to avoid condensation inside this unit by allowing enough space around this unit or avoiding excess humidification. Condensation might cause fire, damage to this unit, and/or electric shock.
- Super-bass frequencies reproduced by this unit may cause a turntable to generate a howling sound. In such a case, move this unit away from the turntable.
- This unit may be damaged if certain sounds are continuously output at high volume level. For example, if 20 Hz-50 Hz sine waves from a test disc, bass sounds from electronic instruments, etc., are continuously output, or when the stylus of a turntable touches the surface of a disc, reduce the volume level to prevent this unit from being damaged.
- If you hear distortion (i.e., unnatural, intermittent “rapping” or “hammering” sounds) coming from this unit, reduce the volume level. Extremely loud playing of a movie soundtrack’s low frequency, bass-heavy sounds or similarly loud popular music passages can damage this speaker system.
- Vibration generated by super-bass frequencies may distort images on a TV. In such a case, move this unit away from the TV set.
- Do not attempt to clean this unit with chemical solvents as this might damage the finish. Use a clean, dry cloth.
- Be sure to read the “Troubleshooting” section regarding common operating errors before concluding that the unit is faulty.
- Install this unit near the wall outlet and where the AC power plug can be reached easily.

Radio waves may affect electro-medical devices.

Do not use this unit near medical devices or inside medical facilities.

Do not use this unit within 22 cm (9 inches) of persons with a heart pacemaker implant or defibrillator implant.

WARNING

TO REDUCE THE RISK OF FIRE OR ELECTRIC SHOCK, DO NOT EXPOSE THIS UNIT TO RAIN OR MOISTURE.

Power is continuously supplied to this unit as long as its power cable is plugged in. When this unit is turned off using an external audio device, it enters standby mode, a state in which it consumes very little power.

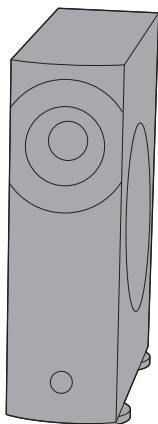
Yamaha Canada Music Ltd.

135 Milner Avenue, Toronto, Ontario, M1S 3R1, Canada
Tel: 1-416-298-1311

Contents

Features of the Wireless Subwoofer NS-WSW160	1	Connecting the subwoofer wirelessly.....	2
Installing the subwoofer	1	Troubleshooting	3
Positioning the subwoofer on its side.....	2	Specifications.....	3

Features of the Wireless Subwoofer NS-WSW160



The NS-WSW160 is a wireless subwoofer that supports Yamaha's proprietary yAired technology. It receives wireless signals from a yAired-enabled Yamaha device to output audio content from that device. Check our website for devices compatible with this unit.

yAired

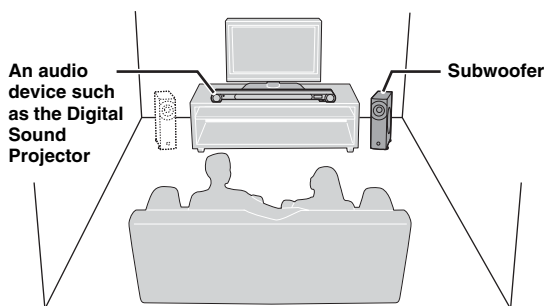
The "yAired" and "yAired" are trademarks of Yamaha Corporation.

English

Installing the subwoofer

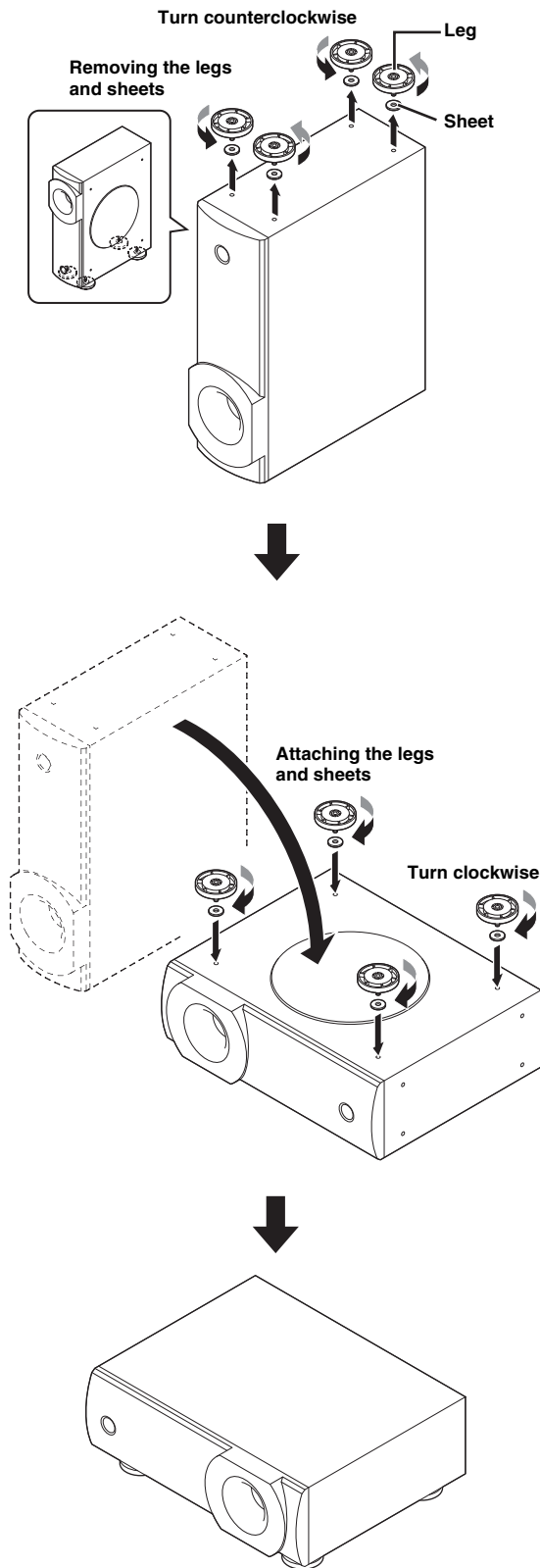
Notes

- The subwoofer requires sufficient space for heat discharge. When installing the subwoofer, be sure to leave a minimum space of 20 cm (7-7/8 in) of open space above and behind and to the sides of the subwoofer. Do not cover the subwoofer heat discharge unit on the back of the subwoofer.
 - Be sure to install the subwoofer where it does not fall subject to vibrations, such as from an earthquake, and where it is out of the reach of children.
 - When using a cathode-ray tube (CRT) TV, do not install this unit directly above your TV.
 - If the picture on your TV screen becomes blurred or distorted, we recommend moving this unit away from your TV.
-
- To prevent sound reflecting off of walls, angle the subwoofer slightly toward the center of the room.
 - If the subwoofer is placed directly facing a wall and your listening position is in the center of the room, you may not be able to obtain enough bass sound from the subwoofer. This is because "standing waves" are forming between the two parallel walls and cancelling out the bass sounds.
 - When installing the subwoofer on a rack, be sure the rack is strong enough to support the subwoofer and that it leaves sufficient space for heat discharge.
 - Subwoofer performance may be affected if the subwoofer is placed on a metal rack, or if there is a metal plate between the subwoofer and the device to which the subwoofer is connected wirelessly.
 - The subwoofer can also be placed on its side (☞ p. 2).



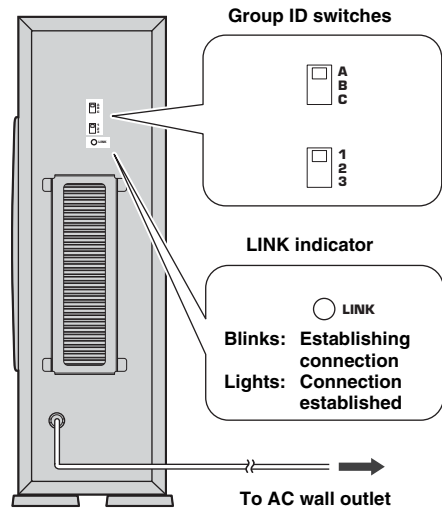
Positioning the subwoofer on its side

The subwoofer can be laid on its side when positioned on a rack.



Connecting the subwoofer wirelessly

To connect the subwoofer to other yAired-enabled Yamaha devices wirelessly, the same group ID must be assigned to all the devices. The default group ID of the subwoofer is A1. The LINK indicator lights when the subwoofer is on and the subwoofer and other devices are connected wirelessly.



Troubleshooting

If this product doesn't work as expected, look for a possible cause below. If the issue you are experiencing is not listed, or you cannot resolve it after reading through these instructions, disconnect the power cable and contact an authorized Yamaha dealer or service center.

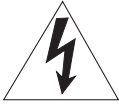

Problem	Cause	Remedy
No sound from the subwoofer.	The subwoofer is not connected wirelessly.	Make sure the power cable is connected properly. Check if the LINK indicator lights on the rear of the subwoofer (☞p. 2). When the indicator does not light, check that devices to be connected wirelessly are assigned the same group ID.
	The volume of the subwoofer is low.	Increase the volume of the subwoofer with the volume control for subwoofer on the connected device wirelessly.
The subwoofer is too quiet.	The source material doesn't contain much bass.	Try playing source material that contains more bass.
		Reposition the subwoofer (☞p. 1).

Specifications

Type	Advanced Yamaha Active Servo Technology	Power supply
Driver	16 cm (6-1/2 in) cone woofer non-magnetic shielding type	[U.S.A. and Canada models]
Output power	75 W (100 Hz, 5 Ω, 10% T.H.D)	[Taiwan model]
Dynamic power	130 W	[Australia model]
Frequency response	30 Hz–200 Hz	[U.K., Europe and Russia models]
Wireless		[China model]
Frequency	2.4 GHz	[Korea model]
Transmission Range	Approx. 20 m (66 ft) (without interference)	[Asia model]
		Power consumption
		Dimensions (W x H x D)
		Upright positioning
	 145 × 446 × 371 mm (5-3/4 × 17-1/2 × 14-5/8 in)
		Positioned on side
	 435 × 146 × 371 mm (17-1/8 × 5-3/4 × 14-5/8 in)
		Weight
	 9.0 kg (19.8 lbs)

Specifications are subject to change without notice.

PRÉCAUTIONS CONCERNANT LA SÉCURITÉ

	CAUTION RISK OF ELECTRIC SHOCK DO NOT OPEN	
ATTENTION : POUR RÉDUIRE LES RISQUES D'INCENDIE ET DE DÉCHARGE ÉLECTRIQUE, NE PAS RETIRER LE COUVERCLE (OU LE PANNEAU ARRIÈRE). AUCUNE PIÈCE INTERNE NE PEUT ÊTRE CHANGÉE PAR L'UTILISATEUR. POUR L'ENTRETIEN, S'ADRESSER À UN PERSONNEL QUALIFIÉ.		

■ Explication des symboles



L'éclair avec une flèche à l'intérieur d'un triangle équilatéral est destiné à attirer l'attention de l'utilisateur sur la présence d'une « tension dangereuse » non isolée à l'intérieur du produit, pouvant être suffisamment élevée pour constituer un risque d'électrocution.



Le point d'exclamation à l'intérieur d'un triangle équilatéral est destiné à attirer l'attention de l'utilisateur sur la présence d'instructions importantes sur l'emploi ou de la maintenance (réparation) de l'appareil dans la documentation fournie.

- 1 Lire ces instructions.
- 2 Conserver ces instructions.
- 3 Tenir compte de tous les avertissements.
- 4 Suivre toutes les instructions.
- 5 Ne pas utiliser cet appareil à proximité de l'eau.
- 6 Nettoyer cet appareil avec un chiffon sec seulement.
- 7 Ne pas recouvrir les ailettes de ventilation. Installer l'appareil selon les instructions du fabricant.
- 8 Ne pas installer près d'une source de chaleur, comme un appareil de chauffage, une résistance électrique, un poêle, ou tout autre appareil (amplificateurs compris) produisant de la chaleur.
- 9 Ne pas désamorcer le système de sécurité d'une fiche polarisée ou d'une fiche avec mise à la terre. Une fiche polarisée est munie de deux lames, dont l'une est plus large que l'autre. Une fiche avec mise à la terre est munie de deux lames et d'une broche de terre. La lame la plus large ou la troisième broche sont reliées à la terre pour des raisons de sécurité. Si la fiche fournie ne s'insère pas dans la prise, s'adresser à un électricien pour faire remplacer la prise obsolète.
- 10 Protéger le cordon d'alimentation de sorte qu'il ne risque pas d'être piétiné ou coincé, surtout au niveau des fiches, des prises et de sa sortie de l'appareil.
- 11 Utiliser seulement les fixations et accessoires spécifiés par le fabricant.
- 12 Utiliser seulement le chariot, socle, trépied, support ou meuble spécifié par le fabricant ou vendu avec l'appareil. Si un chariot est utilisé, faire attention de ne pas se blesser ou de le renverser pendant le transport de l'appareil.
- 13 Débrancher cet appareil pendant les orages électriques, ou s'il ne doit pas être utilisé pendant un certain temps.
- 14 Pour toute inspection s'adresser à un personnel qualifié. Une inspection est nécessaire en cas de dommage, quel qu'il soit, par exemple cordon d'alimentation ou fiche endommagé, liquide répandu ou objet tombé à l'intérieur de l'appareil, exposition de l'appareil à la pluie ou à l'humidité, fonctionnement anormal ou chute de l'appareil.



Nous vous souhaitons un plaisir musical durable

Yamaha et le Groupe des Entreprises Électroniques Grand Public de l'Association des Industries Électroniques vous demandent de tirer le meilleur parti de votre équipement tout en écoutant à un niveau non dommageable pour l'ouïe, c'est-à-dire un niveau où vous pouvez obtenir un son fort et clair, sans hurlement ni distorsion, mais sans aucun danger pour l'ouïe.

Comme les sons trop forts causent des lésions auditives qui ne peuvent être détectées qu'à long terme, lorsqu'il est trop tard, Yamaha et le Groupe des Entreprises Électroniques Grand Public de l'Association des Industries Électroniques vous déconseillent l'écoute prolongée à des volumes excessifs.



IMPORTANT

Veuillez enregistrer le numéro de série de cet appareil dans l'espace réservé à cet effet, ci-dessous.

MODÈLE :

No. de série :

Le numéro de série se trouve à l'arrière de l'appareil.

Prière de conserver le mode d'emploi en lieu sûr pour toute référence future.

Informations de la FCC (Pour les clients résidents aux États-Unis)

1. AVIS IMPORTANT: NE PAS APPORTER DE MODIFICATIONS À CET APPAREIL!

Ce produit est conforme aux exigences de la FCC s'il est installé selon les instructions du mode d'emploi.

Toute modification non approuvée expressément par Yamaha peut invalider l'autorisation, accordée par la FCC, d'utiliser ce produit.

2. IMPORTANT: N'utiliser que des câbles blindés de haute qualité pour le raccordement de ce produit à des accessoires et/ou à un autre produit. Seuls le ou les câbles fournis avec le produit DOIVENT être utilisés. Suivre les instructions concernant l'installation. Le non respect des instructions peut invalider l'autorisation, accordée par la FCC, d'utiliser ce produit aux États-Unis.

3. REMARQUE: Ce produit a été testé et déclaré conforme aux normes relatives aux appareils numériques de Classe " B ", telles que fixées dans l'Article 15 de la Réglementation FCC. Ces normes sont destinées à assurer une protection suffisante contre les interférences nuisibles avec d'autres appareils électroniques dans une installation résidentielle. Cet équipement génère et utilise des fréquences radio qui, en cas d'installation et d'utilisation non conformes aux instructions du mode d'emploi, peuvent être à l'origine d'interférences empêchant d'autres appareils de fonctionner.

Cependant, la conformité à la Réglementation FCC ne garantit pas l'absence d'interférences dans une installation particulière. Si ce produit devait produire des interférences, ce qui peut être déterminé en " ÉTEIGNANT " et en " RALLUMANT " le produit, l'utilisateur est invité à essayer de corriger le problème d'une des manières suivantes:

Réorienter ce produit ou le dispositif affecté par les interférences.

Utiliser des prises d'alimentation branchées sur différents circuits (avec interrupteur de circuit ou fusible) ou installer un ou des filtres pour ligne secteur.

Dans le cas d'interférences radio ou TV, changer de place l'antenne et la réorienter. Si l'antenne est un conducteur plat de 300 ohms, remplacer ce câble par un câble de type coaxial.

Si ces mesures ne donnent pas les résultats escomptés, prière de contacter le détaillant local autorisé à commercialiser ce type de produit. Si ce n'est pas possible, prière de contacter Yamaha Corporation of America A/V Division, 6600 Orangethorpe Ave., Buena Park, CA 90620.

Les déclarations précédentes NE concernent QUE les produits commercialisés par Yamaha Corporation of America ou ses filiales.

- Cet appareil est conforme à la partie 15 de la réglementation FCC et aux normes RSS exemptes de licence d'Industry Canada.
- Le fonctionnement est soumis aux deux conditions suivantes: 1) Cet appareil ne peut pas causer d'interférences nuisibles et 2) Cet appareil doit recevoir toutes les interférences, y compris celles pouvant entraîner des problèmes de fonctionnement. Consultez le mode d'emploi si vous soupçonnez que la réception radio subit des interférences.

AVERTISSEMENT FCC

Tout changement apporté sans l'approbation expresse du fabricant pourrait entraîner l'annulation du droit d'utilisation de l'appareil.

REMARQUE

Cet appareil a été testé et il s'est avéré être conforme aux limites déterminées pour un appareil numérique de Classe B, conformément à la partie 15 du Règlement FCC.

Ces limites sont destinées à offrir une protection raisonnable contre les interférences nuisibles pouvant survenir en cas d'utilisation de ce produit dans un environnement domestique.

Cet appareil produit, utilise et peut émettre de l'énergie radioélectrique et, s'il n'est pas installé conformément aux instructions, peut provoquer des interférences radio. Il n'est toutefois pas garanti qu'aucune interférence ne se produira dans le cas d'une installation donnée. Si l'appareil provoque des interférences nuisibles à la réception de programmes radio ou de télévision, ce qui peut être déterminé en éteignant, puis en allumant l'appareil, l'utilisateur est prié de tenter de corriger le problème en prenant l'une ou plusieurs des mesures suivantes:

- Réorienter ou déplacer l'antenne réceptrice.
- Éloigner davantage l'appareil du récepteur.
- Raccorder l'appareil à une prise d'un circuit différent de celui du récepteur.
- Consulter le revendeur ou un technicien radio/télé expérimenté.

Cet appareil est conforme aux limites FCC/IC d'exposition aux rayonnements définies pour les appareils non commandés et satisfait aux directives d'exposition aux fréquences radio (RF) FCC de l'Annexe C des règlements OET65 et RSS-102 d'exposition aux fréquences radio (RF) IC. Cet appareil possède des niveaux d'énergie RF très bas, considérés conformes aux taux d'exposition maximum autorisés (MPE) non contrôlés. Mais il est toutefois préférable d'installer et d'utiliser l'appareil en conservant une distance minimum de 20 cm entre l'émetteur et toute personne (sauf les extrémités: mains, poignets, pieds et chevilles).

Ce émetteur ne peut pas être placé à proximité de ou utilisé conjointement avec tout autre émetteur ou antenne.

POUR LES CLIENTS RÉSIDANT AU CANADA

Afin d'éviter les risques de décharges électriques, veillez à insérer à fond la large broche de la fiche dans la large fente de la prise de courant.

Cet appareil numérique de Classe B est conforme à la norme canadienne ICES-003.

Attention : Veuillez lire ce qui suit avant d'utiliser l'appareil.

- Pour utiliser l'appareil au mieux de ses possibilités, lisez attentivement ce mode d'emploi. Conservez-le soigneusement pour référence.
- Installez cet appareil dans un endroit frais, sec et propre, à l'écart des fenêtres et à l'abri des sources de chaleur, des vibrations, de la poussière, de l'humidité et du froid. Évitez toute source de bruit électrique (transformateurs, moteurs). Pour éviter un incendie ou une électrocution, n'exposez pas cet appareil à la pluie ni à l'humidité.
- La tension à utiliser est indiquée sur le panneau arrière. Il est dangereux d'utiliser cet appareil avec une tension supérieure à celle spécifiée, car vous risquez de provoquer un incendie et/ou de vous électrocuter.
- Ne forcez pas sur les prises, les commandes ou les câbles de connexion. Lorsque vous déplacez cet appareil, veuillez tout d'abord à débrancher la prise et les câbles connectés à un autre équipement. Ne tirez jamais sur les câbles mêmes; saisissez toujours leur fiche.
- Si vous n'utilisez pas cet appareil pendant une période prolongée (par exemple lorsque vous partez en vacances), débranchez le câble d'alimentation de la prise secteur.
- En cas d'orage, débranchez le câble d'alimentation de la prise secteur afin de ne pas endommager l'appareil.
- Cet appareil est muni d'un amplificateur de puissance intégré et dégage donc de la chaleur par son panneau arrière. N'installez pas l'appareil trop près d'un mur; laissez au moins 20 cm au dessus, derrière et sur les côtés afin d'éviter tout risque d'incendie. Veuillez en outre à ne pas placer le panneau arrière face au sol ou à une autre surface.
- Ne couvrez pas le panneau arrière de cet appareil avec un journal, une nappe, un rideau, etc., afin d'éviter l'accumulation de chaleur à l'intérieur de l'appareil. L'augmentation de la température interne peut provoquer un incendie ou endommager l'appareil.
- Ne placez pas les objets suivants sur l'appareil :
 - Des objets en verre, en porcelaine, de petits objets métalliques, etc.
Les vibrations risqueraient de faire tomber ces objets et de causer des blessures.
 - Une bougie se consumant, etc.
Si la bougie venait à tomber sous l'effet des vibrations, cela pourrait provoquer un incendie et des blessures.
 - Un récipient contenant de l'eau
Si le récipient venait à tomber sous l'effet des vibrations et que l'eau se répande, ceci risquerait d'endommager l'enceinte et/ou de provoquer une électrocution.
- Évitez de placer cet appareil à proximité de substances dangereuses. Vous risquez de provoquer un incendie ou de vous blesser.
- N'introduisez jamais votre main ou un objet dans le port YST situé sur le côté droit de l'appareil. Lorsque vous déplacez l'appareil, veuillez à ne pas le saisir par ce port; vous risquez de vous blesser et/ou d'endommager l'appareil.
- Ne placez aucun objet fragile à proximité du port YST de cet appareil. Si l'objet tombe à cause de la pression de l'air, vous risquez d'endommager l'appareil ou de vous blesser.
- N'ouvrez le coffret sous aucun prétexte. Vous risquez de vous électrocuter, car cet appareil fonctionne sous haute tension. Vous risquez également de vous blesser et/ou d'endommager l'appareil. Si un objet tombe par mégarde à l'intérieur de l'appareil, contactez votre revendeur.
- Si vous utilisez un humidificateur, veuillez à éviter la condensation à l'intérieur de l'appareil. Pour cela, laissez de l'espace autour de l'appareil et évitez une trop forte humidification. La condensation peut provoquer un incendie, une électrocution ou endommager l'appareil.
- Les très basses fréquences produites par cet appareil peuvent provoquer un effet Larsen quand vous utilisez une platine. Le cas échéant, éloignez l'appareil de la platine.
- Vous risquez d'endommager l'appareil si certains sons sont continuellement émis à un volume important. Par exemple, si vous reproduisez continuellement les ondes sinusoïdales d'un disque de test comprises entre 20 Hz et 50 Hz ou les graves d'instruments électroniques, ou si l'aiguille d'une platine touche la surface d'un disque, réduisez le niveau de volume afin de ne pas endommager l'appareil.
- Si vous remarquez une distorsion du son (notamment lorsque le son manque de naturel, ou si des petits coups secs intermittents ou un "martèlement" se produisent), diminuez le volume. La reproduction des sons de basses fréquences de forte intensité contenus dans les bandes originales de films à un volume excessif risque d'endommager cette enceinte.
- Les vibrations générées par les très basses fréquences risquent de déformer les images sur un téléviseur. Le cas échéant, éloignez l'appareil du téléviseur.
- Ne nettoyez pas l'appareil au moyen de solvants chimiques, car vous risquez d'endommager la finition. Utilisez un chiffon propre et sec.
- Lisez attentivement la section "DÉPANNAGE" avant de conclure que l'appareil est défectueux.
- Installez cet appareil à proximité d'une prise secteur et dans un endroit où le câble d'alimentation est facilement accessible.

Les ondes radio peuvent avoir une incidence sur les équipements électroniques médicaux.

N'utilisez pas cet appareil à proximité d'équipements médicaux ou à l'intérieur d'institutions médicales.

N'utilisez pas cet appareil à moins de 22 cm (9 pouces) des personnes disposant d'un stimulateur cardiaque ou d'un défibrillateur.

AVERTISSEMENT

POUR RÉDUIRE LES RISQUES D'INCENDIE OU D'ÉLECTROCUTION, N'EXPOSEZ PAS CET APPAREIL À LA PLUIE OU À L'HUMIDITÉ.

Cet appareil est constamment alimenté en électricité quand le câble d'alimentation est branché. Quand cet appareil est éteint par le biais d'un équipement audio externe, il passe en mode veille, mode dans lequel il consomme très peu d'électricité.

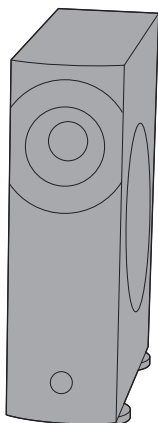
Yamaha Canada Music Ltd.

135 Milner Avenue, Toronto, Ontario, M1S 3R1, Canada
Tel: 1-416-298-1311

Table des matières

Fonctions de l'ENCEINTE DE BASSES FREQUENCES SANS FILS NS-WSW160	1	Connexion sans fil du caisson de basse	2
Installation du caisson de basse	1	Guide de dépannage	3
Positionnement du caisson de basse sur le côté	2	Caractéristiques techniques	3

Fonctions de l'ENCEINTE DE BASSES FREQUENCES SANS FILS NS-WSW160



Le NS-WSW160 est un ENCEINTE DE BASSES FREQUENCES SANS FILS qui prend en charge la technologie AirWired exclusive de Yamaha. Il reçoit des signaux sans fil d'un appareil Yamaha AirWired pour émettre du contenu audio à partir de cet appareil. Consultez la liste des appareils compatibles avec ce système sur notre site Internet.

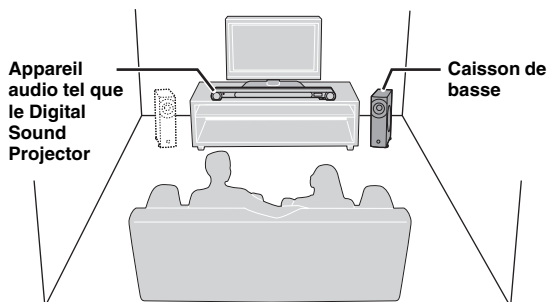
AirWired

Le logo « AirWired » et « AirWired » sont des marques commerciales de Yamaha Corporation.

Installation du caisson de basse

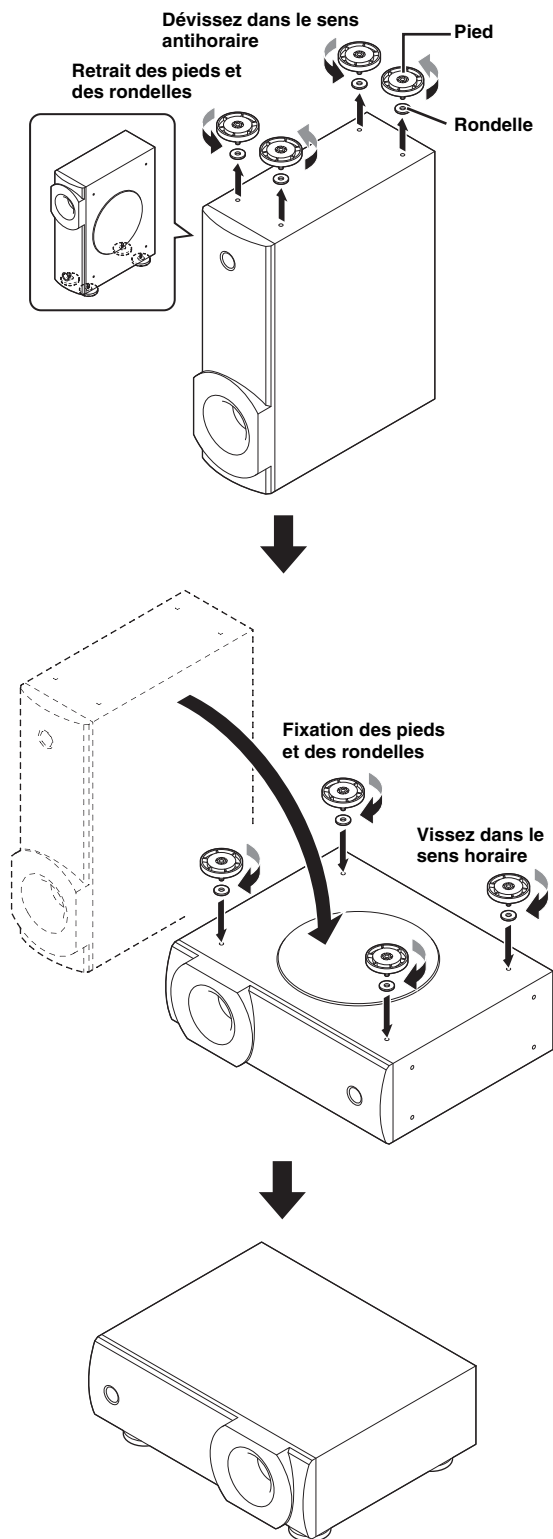
Remarques

- Le caisson de basse requiert un espace libre suffisant afin d'évacuer la chaleur. Quand vous installez le caisson de basse, assurez-vous de laisser un minimum de 20 cm d'espace libre au-dessus, l'arrière et de chaque côté du caisson de basse. Ne couvrez pas l'unité d'évacuation de la chaleur située à l'arrière du caisson de basse.
 - Installez le caisson de basse de sorte qu'il ne puisse pas tomber s'il venait à être soumis à des vibrations, au cours d'un tremblement de terre par exemple, et qu'il soit hors de la portée des enfants.
 - N'installez pas l'appareil immédiatement au-dessus d'un téléviseur à tube cathodique.
 - Si la présence de l'appareil à proximité du téléviseur entraîne des déformations de l'image, il convient d'éloigner l'appareil.
-
- Afin d'empêcher la réflexion sonore des murs, ajustez l'angle du caisson de basse légèrement en direction du centre de la pièce.
 - Si le caisson de basse est placé directement contre un mur et que votre position d'écoute est au centre de la pièce, vous pourriez ne pas obtenir suffisamment de graves du caisson de basse. Cela est dû aux « ondes stationnaires » qui se forment entre deux murs parallèles et qui annulent les graves.
 - En cas d'installation du caisson de basse sur un bâti, assurez-vous que ce dernier soit assez solide pour supporter le poids du caisson de basse et qu'un espace libre suffisant permette l'évacuation de la chaleur.
 - Les performances du caisson de basse peuvent être affectées si celui-ci est placé sur un bâti métallique, ou si une pièce métallique est présente entre le caisson de basse et l'appareil auquel le caisson de basse est relié sans fil.
 - Le caisson de basse peut également être positionné sur le côté (p. 2).



Positionnement du caisson de basse sur le côté

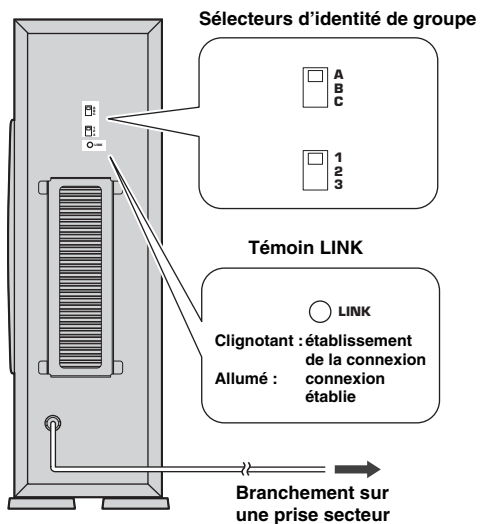
Vous pouvez placer le caisson de grave sur le côté en cas d'installation sur un bâti.



Connexion sans fil du caisson de basse

Pour établir la connexion sans fil entre le caisson de basse et d'autres appareils Yamaha AirWired, la même identité de groupe doit être attribuée à tous les appareils. L'identité de groupe par défaut du caisson de basse est A1.

Le témoin LINK s'allume lorsque le caisson de basse est sous tension et qu'il est connecté sans fil à d'autres appareils.



Guide de dépannage

Si vous rencontrez une anomalie avec cet appareil, elle peut être due à l'une des causes ci-dessous. Si l'anomalie constatée n'est pas mentionnée, ou encore si les actions correctives suggérées sont sans effet, débranchez la fiche du câble d'alimentation et prenez contact avec le revendeur ou le centre d'entretien Yamaha agréé.

Anomalie	Cause possible	Action corrective
Le caisson de basse n'émet aucun son.	Le caisson de basse n'est pas connecté sans fil.	Vérifiez que le câble d'alimentation est correctement branché. Vérifiez que le témoin lumineux LINK situé à l'arrière du caisson de basse est allumé (réf. p. 2). S'il est éteint, assurez-vous que la même identité de groupe a bien été attribuée à tous les appareils reliés sans fil.
	Le volume du caisson de basse est faible.	Augmentez le volume du caisson de basse avec la commande du niveau sonore pour le caisson de basse sur l'appareil relié sans fil.
Le caisson de basse n'est pas très actif.	La source contient peu de graves.	Essayez avec une source qui contient plus de graves.
		Repositionnez le caisson de basse (réf. p. 1).

Caractéristiques techniques

Type Technologie avancée Servo Active Yamaha
 Excitateur haut-parleur conique 16 cm (6-1/2 in)
 à blindage non magnétique
 Puissance de sortie 75 W (100 Hz, 5 Ω, 10 % T.H.D)
 Puissance dynamique 130 W
 Réponse en fréquence 30 Hz à 200 Hz
 Raccordement sans fil
 Fréquence 2,4 GHz
 Portée d'émission Environ 20 m (66 ft)
 (sans interférence)

Alimentation

[Modèles pour les États-Unis et le Canada]

..... CA 120 V, 60 Hz

[Modèle pour Taïwan] CA 110–120 V, 60 Hz

[Modèle pour l'Australie] CA 240 V, 50 Hz

[Modèles pour le Royaume-Uni, l'Europe et la Russie]

..... CA 230 V, 50 Hz

[Modèle pour la Chine] CA 220 V, 50 Hz

[Modèle pour la Corée] CA 220 V, 60 Hz

[Modèle pour l'Asie] CA 220–240 V, 50/60 Hz

Consommation 70 W

Dimensions (L x H x P)

Position droite

..... 145 × 446 × 371 mm (5-3/4 × 17-1/2 × 14-5/8 in)

Position latérale

..... 435 × 146 × 371 mm (17-1/8 × 5-3/4 × 14-5/8 in)

Poids 9,0 kg (19.8 lbs)

Les caractéristiques techniques peuvent être modifiées sans avis préalable.

