

May, 2010

**Subject: RX-V467/RX-V567 Firmware Update Version E017
(Including HTR-4063/HTR-5063)**

Yamaha is pleased to offer the following firmware update to ensure the best possible performance and features for your Yamaha RX-V467/RX-V567 AV Receiver. This firmware adds 3D video pass-through capability for the HDMI connections.

Requirements:

- ◆ A personal computer capable of burning an audio CD
- ◆ BD/DVD/CD player* with digital audio connection (Optical or Coaxial, not HDMI)

*Note

CD PLAYER IS PREFERRED.

Some DVD players use digital filters, which affects the output signal of the devices. This firmware update may not work with DVD players which use these digital filters. CD players usually do not use these filters.

CHECK THE UNIT'S FIRMWARE VERSION PRIOR TO THIS UPDATE

The firmware version consists of a letter followed by three numbers [ex. "E017"]. If the three numbers in the firmware version are 017 or higher, you **DO NOT** need to perform this update.

How to check your firmware version:

Press and hold the **[STRAIGHT]** button on the front panel and keep it pressed while you press the **[STANDBY/ON]** button. Once the front panel displays "**ADVANCED SETUP**", release the **[STRAIGHT]** button. Then, press and hold the **[TONE CONTROL]** button for about 3 seconds until front panel display shows the firmware version.

The following pages contain the firmware update instructions for Yamaha AV receivers RX-V467/V567. The outline of the update is as follows:

1. Create an update disc (Audio CD)
2. Connect digital audio with CD, DVD or BD player
3. Enter firmware update mode
4. Play the update disc (Reprogramming)
5. Confirm update firmware version

< IMPORTANT NOTICE >

Do not attempt to update your Yamaha receiver using any other data file except those provided directly from the Yamaha website.

Follow the instructions carefully and do not attempt any other procedures not specified in the instructions provided by Yamaha.

Improperly updated products may cause improper operation, and any parts or service required to restore proper operation will not be covered under the Yamaha Limited Warranty.

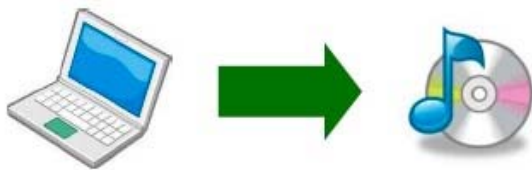
Instructions for Firmware Update:

STEP1 CREATE UPDATE DISC

Download the firmware from YAMAHA website.

Unzip and burn the WAV file onto CD-R/RW as an Audio-CD. This will be your update disc.

If you need instructions on creating this firmware update CD, see your Personal Computer ("PC") CD burning software instructions on how to burn WAV file as an Audio CD.



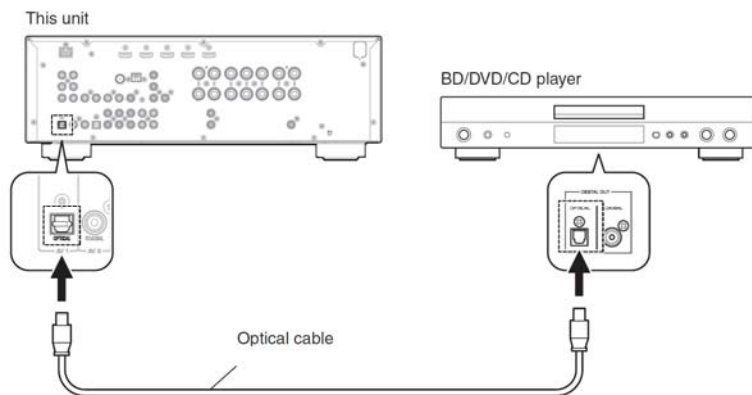
Note:

Conventional CD burning software is recommended. An audio CD burned by Windows Media Player may not work.

STEP2 CONNECT DIGITAL AUDIO WITH BD/DVD/CD PLAYER

Unplug the AC power cable of the receiver from the wall outlet and turn off the power of BD/DVD/CD player. Then, connect CD DVD or BD player* using digital connection (Coaxial or Optical) into any input of your receiver.

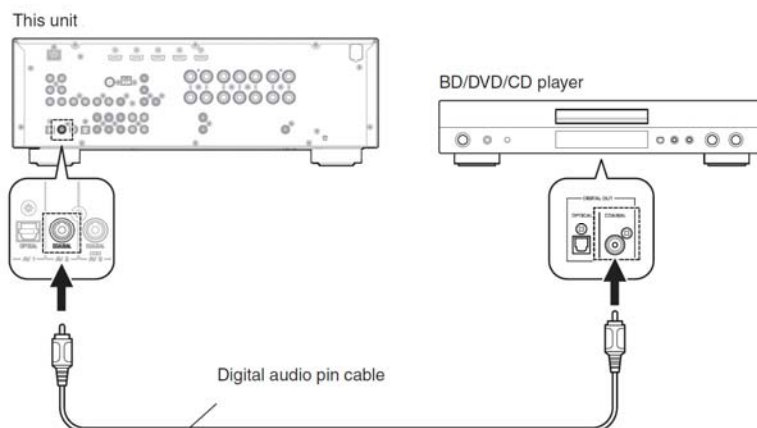
<Connection with OPTICAL cable>

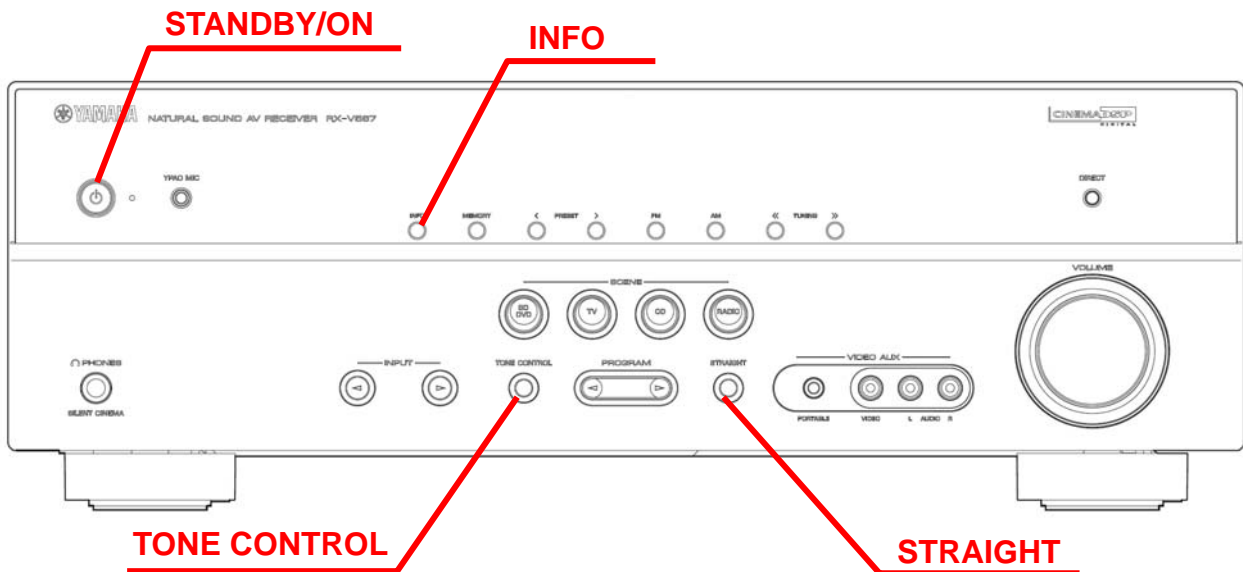


*Some DVD players use digital filters, which affects the output signal of the devices. The firmware update will not work with DVD players which use these digital filters. CD players usually do not use these filters, so using a CD player is preferred.

Picture shows an example of the connection. Depending on your BD/DVD/CD player's digital output, connect the receiver with either optical or coaxial.

<Connection with COAXIAL cable>





STEP3 ENTER FIRMWARE UPDATE MODE

Plug the AC power cable of the AV receiver.

Press and hold the [**STRAIGHT**] button on the front panel and keep it pressed while you press the [**STANDBY/ON**] button. Once the front panel displays "Advance Setup", release the [**STRAIGHT**] button. Then, press and hold the [**INFO**] button for about 3 seconds until front panel displays "**CDDA Upgrader**". Now your AV receiver is ready for firmware update.

STEP4 START FIRMWARE UPDATE

Turn on the BD/DVD/CD player.

Load the Firmware Update CD (Audio CD) and press [**PLAY**] button on the BD/DVD/CD player.

"**Found Header**" will appear on the AV receiver for few seconds. Then, the firmware update starts.

"**Found Header**" appears within 10 seconds from starting update disc playback. In case display doesn't change after 10 seconds, retry the update process again from the beginning or check requirements for the update disc and connection. See **IN CASE OF ERROR** for details.

While update is in progress,

DO NOT interrupt the AV receiver by pressing any buttons or switching off the power.

When completed, "**Update Success**", "**Please...**" and "**Power off!!**" are displayed repeatedly. Turn off the power of AV receiver.

Stop the BD/DVD/CD player, remove update disc and power off.

STEP5 CHECK UPDATED VERSION

Press and hold the **[STRAIGHT]** button on the front panel and keep it pressed while you press the **[STANDBY/ON]** button. Once the front panel displays "**ADVANCED SETUP**", release the **[STRAIGHT]** button. Then, press and hold the **[TONE CONTROL]** button for about 3 seconds until front panel displays "**M:E017 7589**".

E017: version of firmware
7589: checksum

If your firmware version number and checksum don't match, retry from step 3. Or try the **IN CASE OF ERROR** method on the last page.

Turn off the power of AV receiver.

Congratulations!

You have completed the firmware update. Your AV receiver is ready for normal use.

IN CASE OF ERROR

Case1 Display on the receiver “CDDA Upgrader” doesn’t change after playing the BD/DVD/CD player.

- ◆ Check digital cable wiring. Only optical or coaxial connection can be used for this update. HDMI connection will not work.
- ◆ Check digital out setting. When using DVD/BD players, make sure the digital out is set to “PCM”. Once update is completed, reset DVD/BD player to its original settings.
- ◆ Check update disc. Make sure that your CD-R/RW is finalized and created as an “AUDIO CD”. (playable on any BD/DVD/CD player)
- ◆ If all above are cleared, your BD/DVD/CD player may not be suited for this update. Try another BD/DVD/CD player or contact your local authorized service center to update the receiver for you.

Case2 Other unintended error occurred.

- ◆ "ERROR" was displayed during the update
- ◆ Receiver doesn't power up after the update.

Solution: Try the following recovery method

Step PL1. Unplug the AC power cable of the AV receiver from wall outlet.

Step PL2. On the front panel of the AV receiver, press and hold the **[INFO]** button and keep it pressed, while you plug the AC power cable of the Yamaha receiver to the wall outlet. Once the front panel displays "**CDDA Upgrader**" release the **[INFO]** button.

Step PL3. Go to Step 4 "**START FIRMWARE UPDATE**".