

YAMAHA

NS-P400

Natural Sound Speaker Package System

Jeu d'enceintes "Son Naturel"

Natural-Sound-Lautsprechersystem

Natural Sound högtalarpaket

Sistema completo di altoparlanti a suono naturale

Paquete del sistema de altavoces con sonido natural

Natural Sound Luidsprekerpakket Systeem

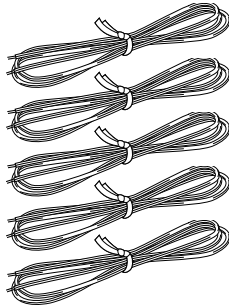
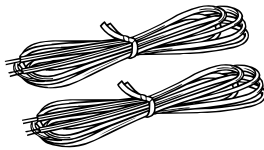


**OWNER'S MANUAL
MODE D'EMPLOI
BEDIENUNGSANLEITUNG
BRUKSANVISNING
MANUALE DI ISTRUZIONI
MANUAL DE INSTRUCCIONES
GEBRUIKSAANWIJZING**

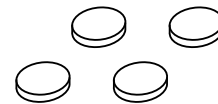
SUPPLIED ACCESSORIES
ACCESSOIRES FOURNIS
MITGELIEFERTE ZUBEHÖRTEILE
MEDFÖLJANDE TILLBEHÖR
ACCESSORI IN DOTAZIONE
ACCESORIOS INCLUIDOS
BIJGELEVERDE ACCESSOIRES

- After unpacking, check that the following parts are contained.
- Après le déballage, vérifiez que les pièces suivantes sont incluses.
- Nach dem Auspacken überprüfen, ob die folgenden Teile vorhanden sind.
- Kontrollera efter det apparaten packats upp att följande delar finns med.
- Verificare che tutte le parti seguenti siano contenute nell'imballaggio dell'apparecchio.
- Desembale el aparato y verificar que los siguientes accesorios están en la caja.
- Controleer na het uitpakken of de volgende onderdelen voorhanden zijn.

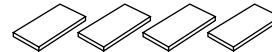
- Speaker cords
- Câbles d'enceintes
- Lautsprecheranschlusskabel
- Högtalarledningar
- Cavi per gli altoparlanti
- Cables de los altavoces
- Luidsprekerdraden



- Rubber Pads (for SW-P40)
- Tampons en caoutchouc (pour SW-P40)
- Gummiunterlagen (für SW-P40)
- Gummidynor (för SW-P40)
- Piedini di gomma (per l'SW-P40)
- Forros de caucho (para SW-P40)
- Anti-slip rubbers (voor SW-P40)



- Velcro strips (for NS-C40)
- Bandes velcro (pour NS-C40)
- Velcro-Streifen (für NS-C40)
- Kardborreremсор (för NS-C40)
- Strisce autoadesive (per l'NS-C40)
- Cintas Velcro (para NS-C40)
- Velcro strips (voor NS-C40)



Thank you for selecting this YAMAHA NS-P400 Speaker Package system.

PROFILE OF THIS SYSTEM

“NS-P400” is the package number which includes the YAMAHA speaker system NS-M40, NS-C40, NS-E40 and SW-P40.

This speaker package system is designed for use in a multi-channel audio system, for example a home theater system, so includes a pair of main speakers (NS-M40), a center speaker (NS-C40), a pair of effect speakers (NS-E40) and a subwoofer system (SW-P40).

<Main speakers (NS-M40)>

2-Way Acoustic-Suspension Speaker System

<Center speaker (NS-C40)>

Full range Acoustic-Suspension Speaker System

<Effect speakers (NS-E40)>

Full range Acoustic-Suspension Speaker System

<Subwoofer (SW-P40)>

Active Servo Processing Subwoofer System with a built-in power amplifier

- This subwoofer system employs YAMAHA Active Servo Technology which YAMAHA developed for reproducing higher quality super-bass sound. (Refer to page 15 for details on Active Servo Technology.)
- This unit can be added easily to your existing audio system by connecting to either the speaker terminals or the line output (pin jack) terminals of the amplifier.
- The high frequency cut off point (HIGH CUT) control enables you to adjust the tone balance between the subwoofer and the main speakers.
- A newly employed AUTO POWER ON/OFF switch saves you the trouble of pressing the POWER switch when turning this unit on or in the standby mode.

CONTENTS

Supplied accessories	2	Using the subwoofer (SW-P40)	12
Profile of This System	3	Controls and their functions	12
Caution	4	Adjustment before using the subwoofer	13
Setting up the speakers	5	Active Servo Technology	15
Connections	8	Troubleshooting (for SW-P40)	16
		Specifications	17

CAUTION: READ THIS BEFORE OPERATING YOUR UNIT.

- To assure the finest performance, please read this manual carefully. Keep it in a safe place for future reference.
 - Install the speakers in a cool, dry, clean place – away from windows, heat sources, sources of excessive vibration, dust, moisture and cold. Avoid sources of humming (transformers, motors).
 - To prevent fire or electrical shock, do not expose the speakers to rain or water.
 - To prevent the enclosure from warping or discoloring, do not place the speakers where it will be exposed to direct sunlight or excessive humidity.
 - Do not place the speakers where it is liable to be knocked over or struck by falling objects. Stable placement will also ensure better sound performance.
 - Placing the speakers on the same shelf or rack as the turntable can result in feedback.
 - Any time you note distortion, reduce the volume control on your amplifier to a lower setting. Never allow your amplifier to be driven into “clipping”. Otherwise the speakers may be damaged.
 - When using an amplifier with a rated output power higher than the nominal input power of the speakers, care should be taken never to exceed the speakers’ maximum input.
 - As these speakers contain strong magnets (though NS-M40, NS-C40 and SW-P40 are magnetically shielded types), avoid placing watches, magnetic tapes, etc. near them. Also, placing the speakers near a TV set may impair picture color. If this happens, move the the speakers away from TV set.
 - Do not attempt to clean the speakers with chemical solvents; this might damage the finish. Use a clean, dry cloth.
 - **Secure placement or installation is the owner’s responsibility. YAMAHA shall not be liable for any accident caused by improper placement or installation of the speakers.**
- <For SW-P40 only>**
- Never open the cabinet. If something drops into the set, contact your dealer.
 - Do not use force on switches, controls or connection wires. When moving the unit, first disconnect the power plug and the wires connected to other equipment. Never pull the wire itself.
 - Be sure to read the “TROUBLESHOOTING” section regarding common operating errors before concluding that the unit is faulty.
 - When not planning to use this unit for long periods of time (ie., vacation, etc.), disconnect the AC power plug from the wall outlet.
 - To prevent lightning damage, disconnect the AC power plug when there is an electrical storm.
 - Since this unit has a built-in power amplifier, heat will radiate from the rear panel. Therefore, place the unit apart from the walls, allowing a space of at least 20 cm (7-7/8”) above, behind and on the both sides of the unit. Also, do not position with the rear panel facing down on the floor or other surface.
 - Super-bass frequencies reproduced by this unit may cause a turntable to generate a howling sound. In such a case, move this unit away from the turntable.
 - If you hear distortion (i.e., unnatural, intermittent “rapping” or “hammering” sounds) coming from this unit, reduce the volume level. Extremely loud playing of a movie soundtrack’s low frequency, bass-heavy sounds or similarly loud popular music passages can damage this speaker system.
 - This unit has a port called “air woofer” which is for reproducing a super-bass sound. Be careful not to put a hand or some objects into the port, otherwise it may give you an electric shock or give this unit a damage, or cause a fire.

- **Voltage Selector (General Model only)**
The voltage selector on the rear panel of this unit must be set for your local main voltage BEFORE plugging into the AC main supply.
Voltages are AC 110/120/220/240V, 50/60 Hz.

This unit is not disconnected from the AC power source as long as it is connected to the wall outlet, even if this unit itself is turned off. In this state, this unit is designed to consume a very small quantity of power.

WARNING
TO REDUCE THE RISK OF FIRE OR ELECTRIC SHOCK, DO NOT EXPOSE THIS UNIT TO RAIN OR MOISTURE.

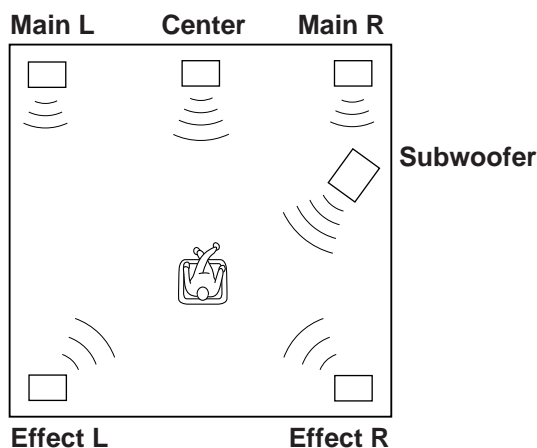
SETTING UP THE SPEAKERS

Before you make connections, place all speakers in their proper positions respectively. The positioning of speakers are important, because it controls the whole sound quality of this system.

Position the speakers on the basis of your listening position by following instructions on this section.

Speaker configuration

This system employs a 6 speaker configuration: 2 main speakers, 2 effect speakers, a center speaker and a subwoofer. The main speakers are used for the main source sound plus the effect sounds. The effect speakers are used for the effect and surround sounds, and the center speaker is for the center sounds (dialog etc.). The subwoofer is for reinforcing low frequencies on your audio system.



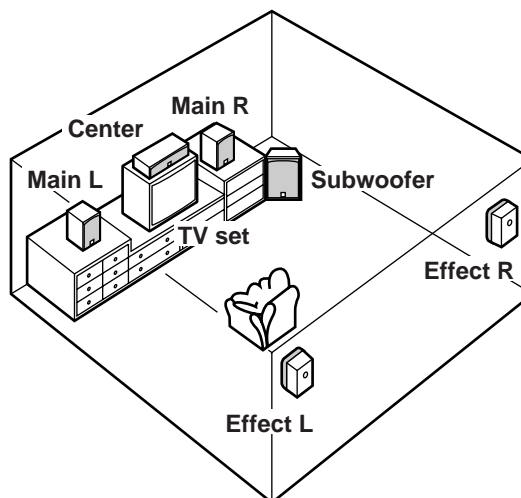
Placing speakers

Main speakers: On both sides of the TV and in almost the same height as the TV.

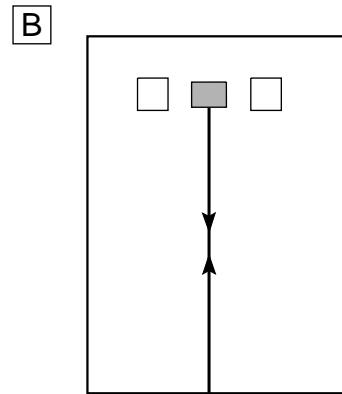
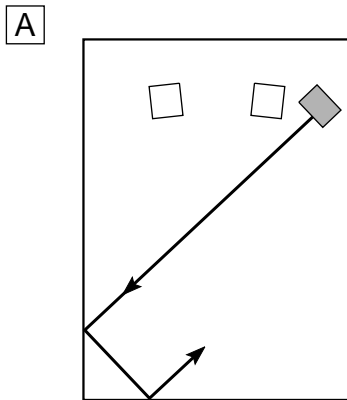
Effect speakers: Behind your listening position, facing slightly inward. Nearly 1.8 m (approx. 6 feet) up from the floor.



Center speaker: Precisely between the main speakers.

Subwoofer: The position of the subwoofer is not so critical because low bass tones are not highly directional.



■ Placing the subwoofer



( : subwoofer,  : main speaker)

It is recommended to place the subwoofer on the outside of either the right or the left main speaker. (See fig. **A**.) The placement shown in fig. **B** is also possible, however, if the subwoofer system is placed directly facing the wall, the bass effect may die because the sound from it and the sound reflected by the wall may cancel. To prevent this, face the subwoofer system obliquely to the wall as shown in fig. **A**.

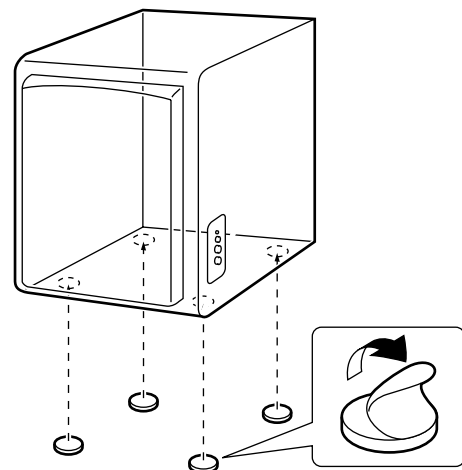
Note

There may be a case that you cannot obtain enough super-bass sounds from this unit when listening at the middle of the room. This is because “standing waves” have developed between two parallel walls and the bass sounds are being canceled.

In such a case, face the subwoofer obliquely to the wall. It also may be necessary to break up the parallel surfaces by placing bookshelves etc. along the walls.

Use the rubber pads

Put the provided rubber pads at the four corners on the bottom of the subwoofer to prevent the subwoofer moving due to vibrations etc.



■ Mounting the effect speakers

Mount the effect speakers on a shelf, rack or on the floor directly, or hang them on the wall.

To mount the effect speakers on a wall

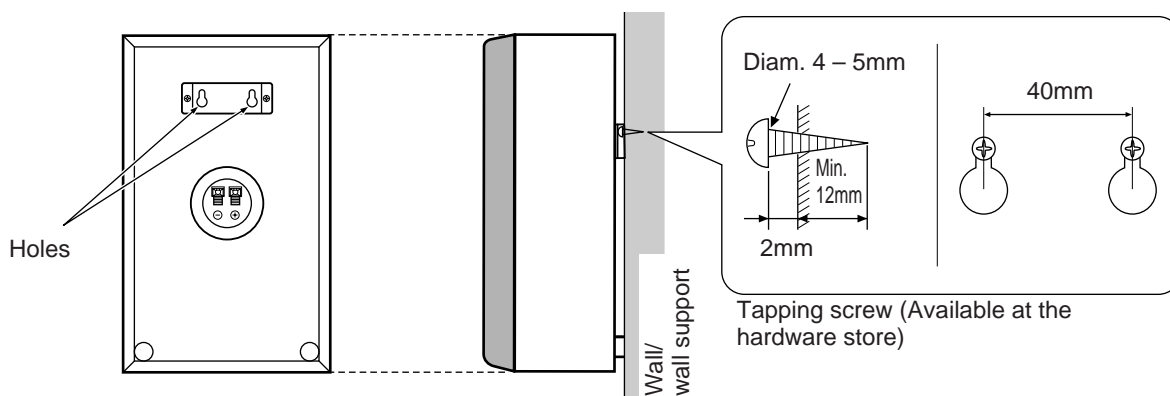
The speakers can be mounted on a wall by using the holes provided on the speakers' rear panels.

Fasten screws into a firm wall or wall support as shown in the diagram, and hang the holes on the rear of the speaker on the protruding screws.

* Make sure that the screws are caught by a narrow part of the holes securely.

WARNING:

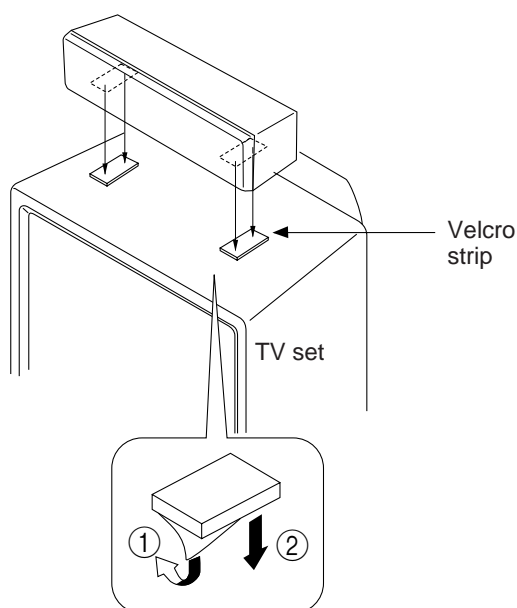
- Each speaker weighs 1.6 kg (3 lbs. 8 oz.). Do not mount them on thin plywood or soft wall surface material, as the screws may come out of the flimsy surface, causing the speakers to fall down and be damaged, or result in personal injury.
- Do not fasten the speakers to wall with nails, adhesives, or other unsound hardware. Long-term use and vibrations may cause them to fall down.
- To avoid accidents resulting from tripping over loose speaker cords, fix them to the wall.



■ Mounting the center speaker

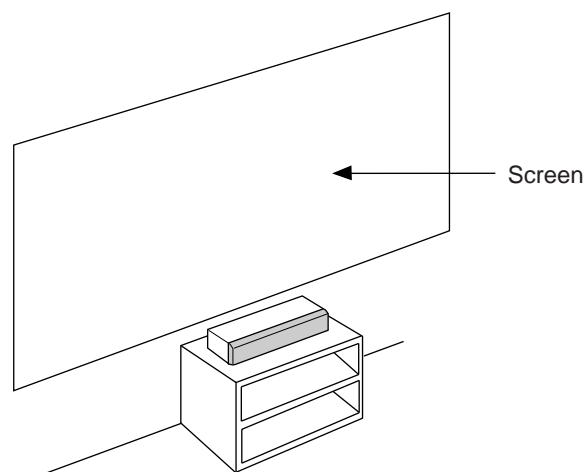
Place the center speaker on top of the TV or on the floor under the TV or inside the TV rack so that it is stabilized.

When placing the speaker on top of the TV, to prevent the speaker from falling down, put the provided velcro strips at two points on both bottom of the speaker and top of the TV.



Notes

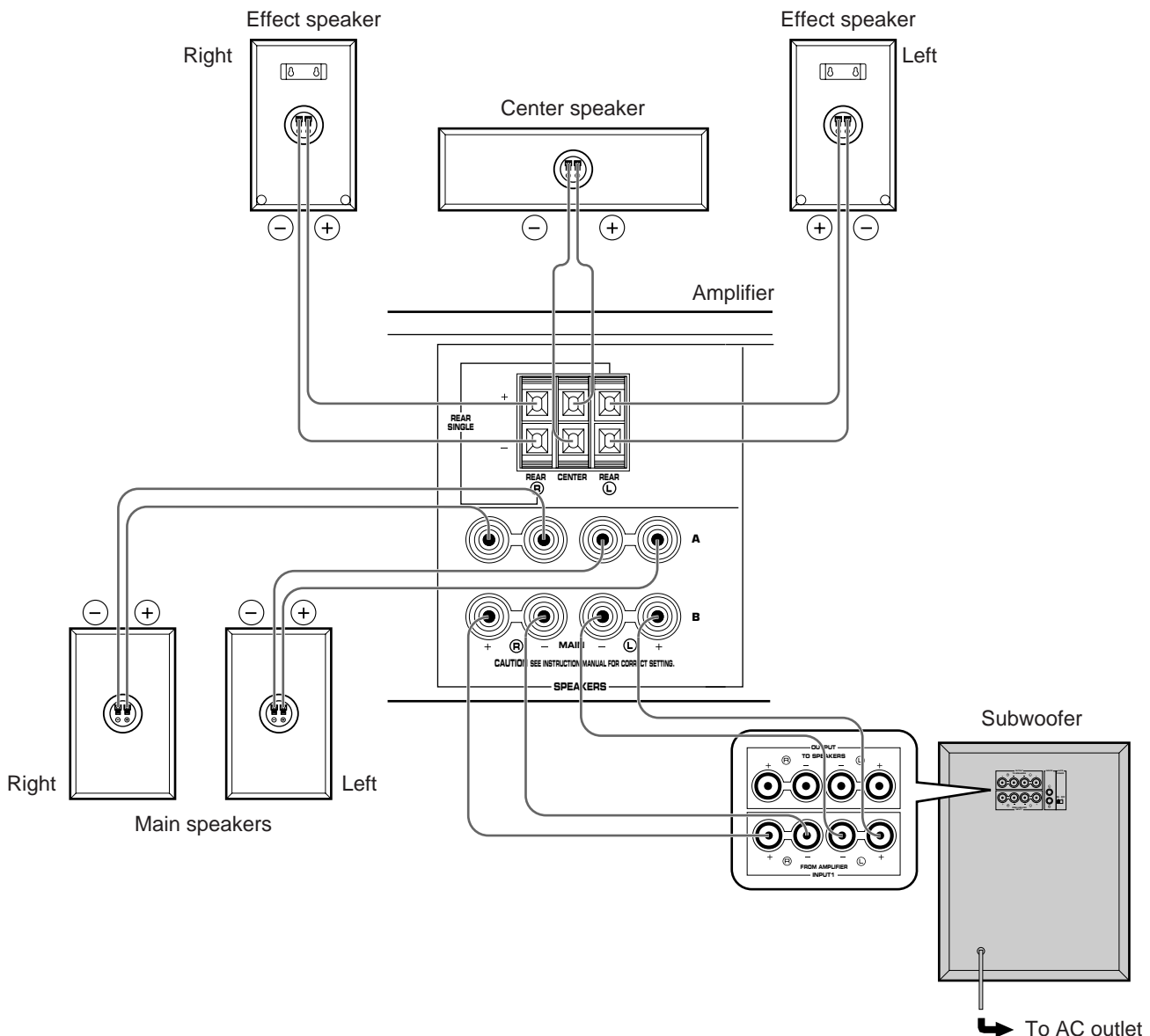
- Do not place the speaker on top of the TV whose area is smaller than the bottom area of the speaker. If placed, the speaker may drop out causing an injury to you.
- Though this speaker is a magnetically shielded type, there may be some influence on a TV picture depending on the type of TV or the placement of the speaker. In such a case, place the speaker apart from the TV so that there is no influence on TV picture.



CONNECTIONS

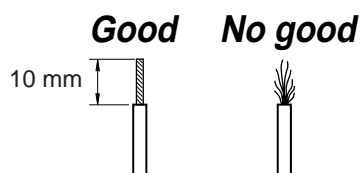
Never plug in the subwoofer and other audio/video components until all connections are completed.

- Connect the speakers to the speaker output terminals of your amplifier with the provided speaker cords.
- Connect the speakers making sure not to reverse the polarity (+, -). Connect the (+) terminals on both the amplifier and the speakers using one side of the cord. Connect the (-) terminals on both components using the other side of the cord. If one speaker is connected with reversed polarity, the sound will be unnatural and lack bass.
- For the main and effect speakers only, connect one speaker to the left (marked L) terminals of your amplifier, and another speaker to the right (marked R) terminals.
- The subwoofer can be connected to either the speaker output terminals or the line output (pin jack) terminals of the amplifier. Choose one of the ways shown in this section which is suitable for your audio system. Also, refer to the owner's manual for each component to be connected to this unit.

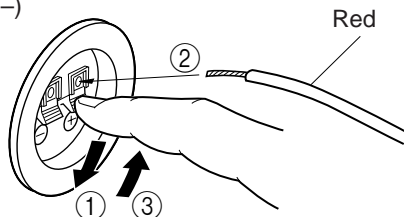


Note
 This diagram shows an example of connecting speakers to an amplifier which has two sets of main speaker output terminals. If you select this connecting way, make the amplifier output signals from both sets of main speaker output terminals. This system can also be connected to the amplifier in other ways depending on the type of amplifier. Refer to pages 10 to 11 for details.

How to connect speaker cords to the input terminals of the speakers (except the subwoofer)



Red: positive (+)
Black: negative (-)



How to Connect:

- ① Press the tab on the terminal down, as shown in the figure.
- ② Insert the bare wire end properly into the terminal hole. [Remove approx. 10 mm (3/8") insulation from the speaker cord.]
- ③ Remove your finger from the tab to allow it to lock snugly on the cord's wire end.
- ④ Test the security of the connection by tugging lightly on the cord at the terminal.

Note

Do not let the bare speaker wires touch each other as this could damage the speaker and/or the amplifier.

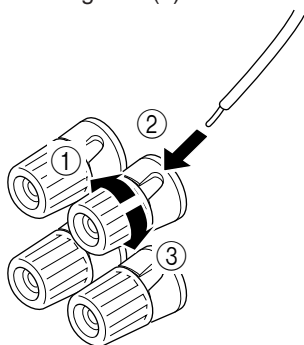
How to connect speaker cords to the subwoofer's OUTPUT/INPUT1 terminals

For connections, cut the speaker wires as short as possible. If the connections are faulty, no sound will be heard from the speakers.

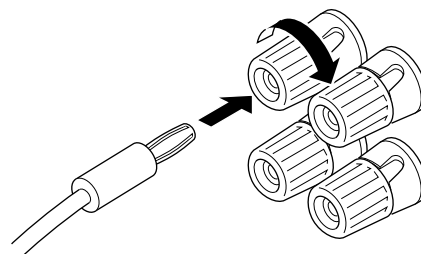
* Banana Plug connections are also possible (except for Europe model). Simply insert the Banana Plug connector into the corresponding terminal.

How to Connect:

Red: positive (+)
Black: negative (-)



- ① Unscrew the knob.
- ② Insert the bare wire. [Remove approx. 10 mm (3/8") insulation from the speaker cord.]
- ③ Tighten the knob and secure the wire.

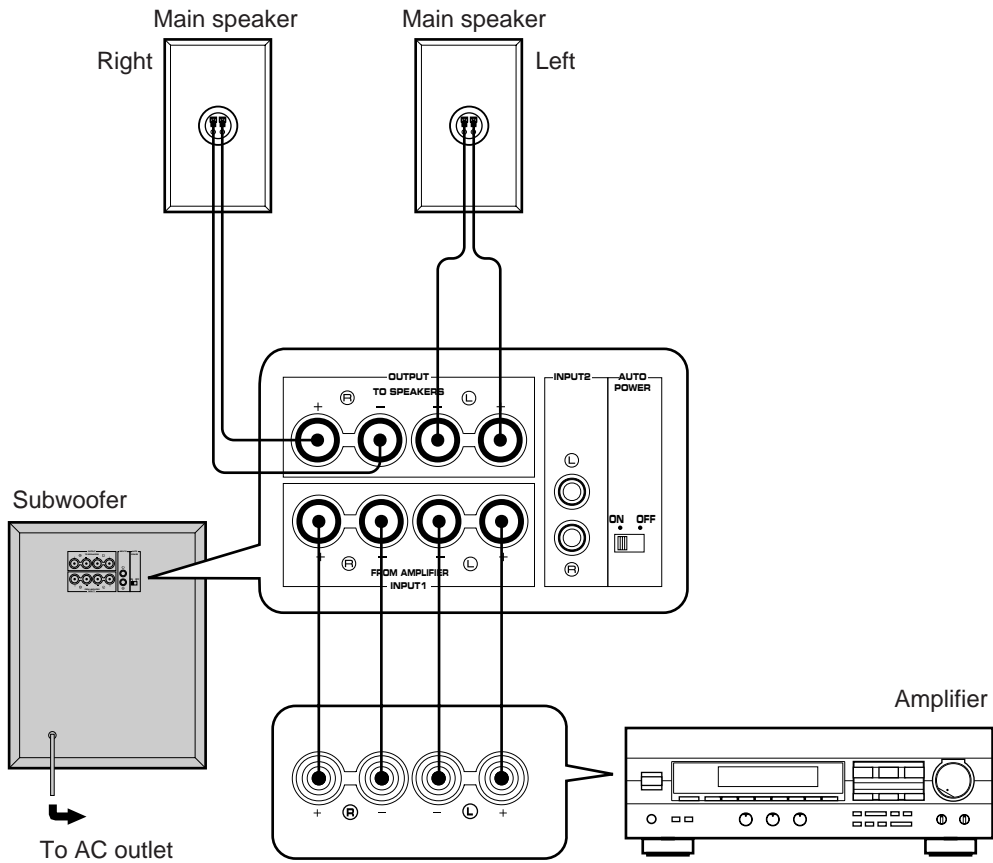


Note

Do not let the bare speaker wires touch each other as this could damage the speaker and/or the amplifier.

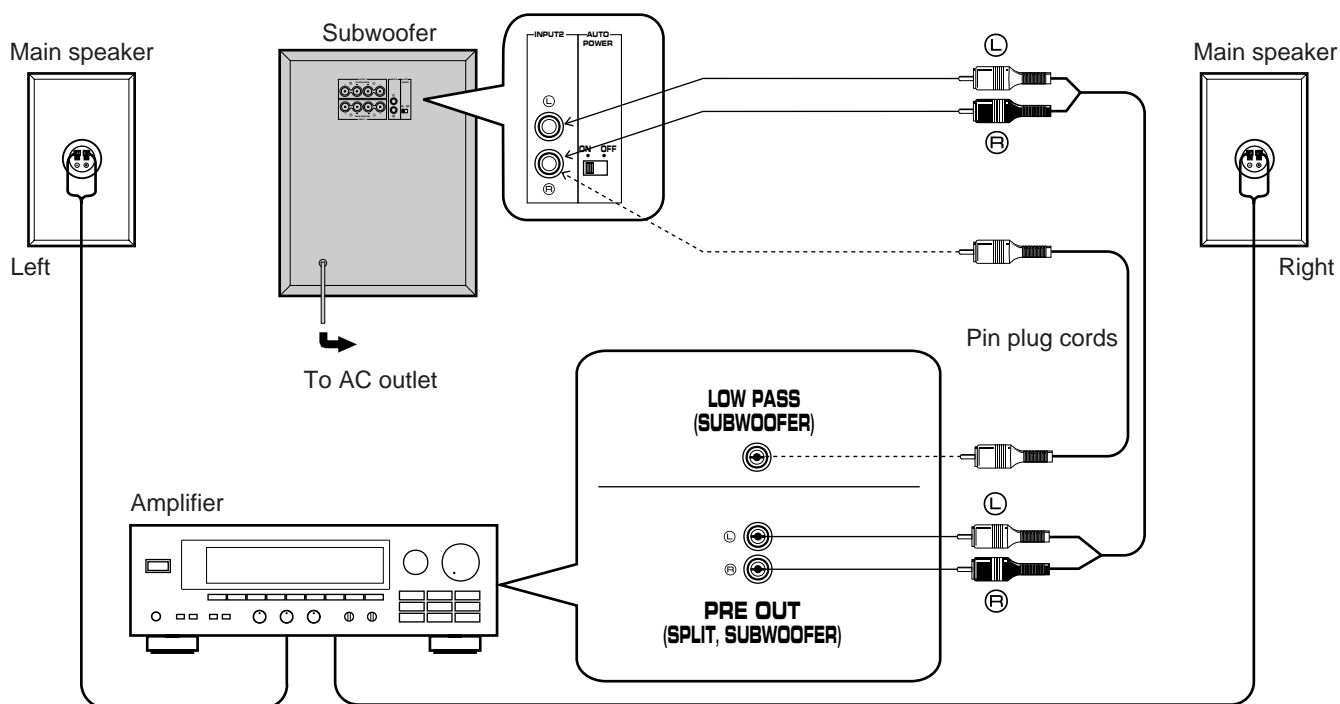
If your amplifier has only one set of main speaker output terminals

Connect the speaker output terminals of the amplifier to the INPUT1 terminals of the subwoofer, and connect the OUTPUT terminals of the subwoofer to the main speakers.



To connect the subwoofer to line output (pin jack) terminals of the amplifier

- Connect the main speakers to the speaker output terminals of the amplifier.
- Amplifier line output terminals are generally labeled PRE OUT or SUBWOOFER OUT.
 - * For PRE OUT terminal connection, the amplifier must possess at least two sets of PRE OUT terminals. With some amplifiers with only one set of PRE OUT terminals, connection can result in no sound from the main left and right speakers. In this case, select the method of connecting to the speaker output terminals.
- To connect with a YAMAHA DSP amplifier (or AV receiver), connect the LOW PASS (or SUBWOOFER etc.) terminal on the rear of the DSP amplifier (or AV receiver) to either the left (L) or right (R) INPUT2 terminal of the subwoofer. To connect the subwoofer to the SPLIT SUBWOOFER terminals on the rear of the DSP amplifier, connect them to both of the left (L) and right (R) INPUT2 terminals of the subwoofer.

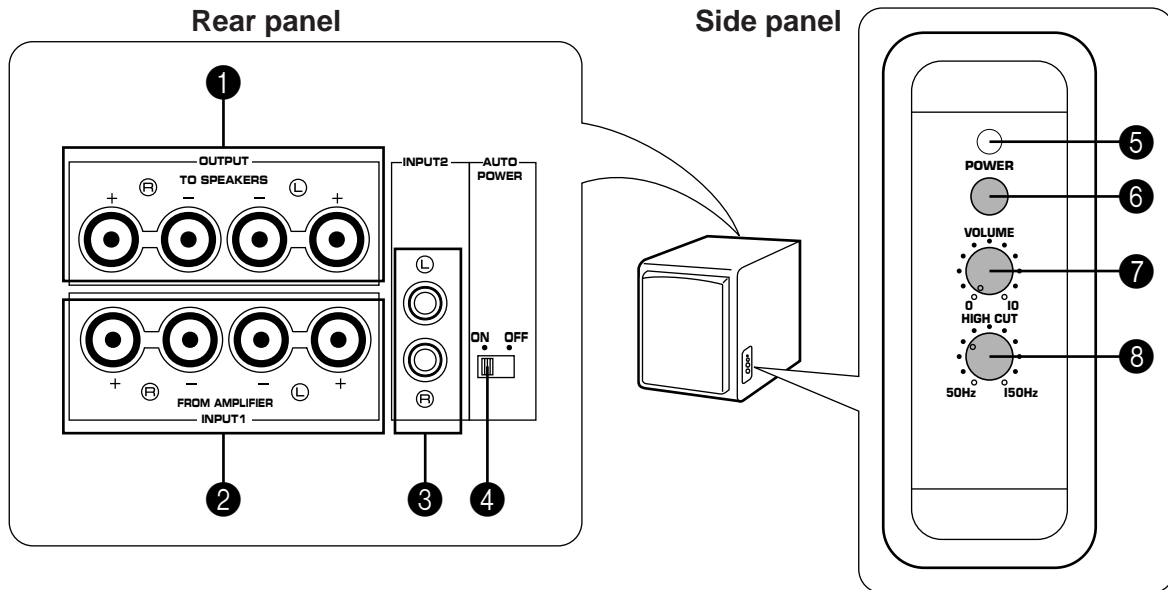


Notes

- When connected to line output terminals of the amplifier, other speakers should not be connected to the OUTPUT terminals on the rear panel of the subwoofer. If connected, they will not produce sound.
- When connecting to a monaural line output terminal of the amplifier, connect to either the left or right INPUT2 terminal.

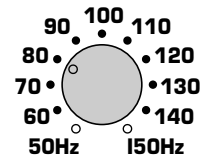
USING THE SUBWOOFER (SW-P40)

CONTROLS AND THEIR FUNCTIONS



- 1 OUTPUT (TO SPEAKERS) terminals**
Can be used for connections with the main speakers. These terminals send signals output from the amplifier to the main speakers directly.
- 2 INPUT1 (FROM AMPLIFIER) terminals**
Used to connect this unit with the speaker terminals of the amplifier.
- 3 INPUT2 terminals**
Used to input line level signals from the amplifier.
- 4 AUTO POWER ON/OFF switch**
By setting this switch to the ON position, this unit's automatic power ON/OFF function operates as described below. If you do not need this function, set to the OFF position.
* Make sure to change the setting of this switch only when this unit is in the standby mode.
- 5 POWER indicator**
Lights in green when the **POWER** switch is turned on, and goes off when turned into the standby mode.
* Standby mode
If the **AUTO POWER ON/OFF** switch on the rear panel is set to ON, this indicator lights in red when no signal is input to this unit.
- 6 POWER switch**
Turns the power to this unit on and turns this unit into the standby mode alternately whenever pressed. When this switch is turned on, the **POWER** indicator over the **POWER** switch lights up.
- 7 VOLUME control**
Adjusts the volume level.

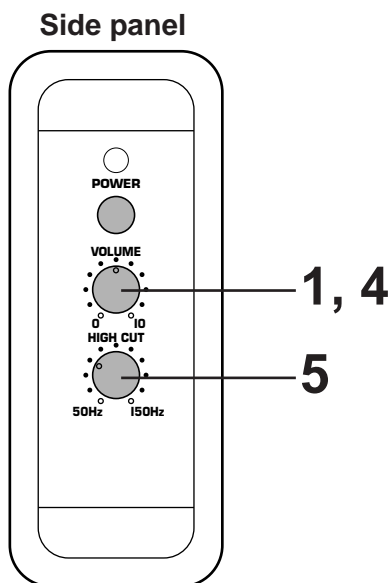
- 8 HIGH CUT control**
Adjusts the high frequency cut off point. Frequencies higher than the frequency selected by this control are all cut off (and not output).
* One graduation of this control represents 10 Hz.



Automatic power ON/OFF function
When you play a source, the power to this unit turns on automatically by sensing audio signals input to this unit. This unit turns into the standby mode automatically if the source being played is stopped or the input signal is cut off for several minutes. This function will operate responding to a certain level of low frequency input signal. Increase the output level on the input source if the automatic power ON function will not operate, or decrease the level if the automatic power OFF function will not operate.
* There may be a case that the power turns on unexpectedly by sensing noise from other appliances. If it occurs, set the **AUTO POWER ON/OFF** switch to the OFF position.
* The level of low frequency input signal differs with each source, and each different part on the same source. So, this function may not operate properly depending on some source.
This function is available only when the power of this unit is on (by setting the POWER switch (6) to "on").

ADJUSTMENT BEFORE USING THE SUBWOOFER

Before using the subwoofer, make an adjustment on the subwoofer to obtain the optimum volume and tone balance between the subwoofer and the main speakers by following the procedures shown below.



- 1** Set the **VOLUME** control to minimum.
- 2** Turn on the power supply to all the components.
- 3** Play any source and adjust the amplifier's volume control to the desired listening level.
- 4** Turn up the **VOLUME** control gradually to adjust the volume balance between this unit and the main speakers.
- 5** If you prefer, set the **HIGH CUT** control to the position where you can obtain the optimum tone balance between the subwoofer and the main speakers.

Notes

- Once the volume balance between the subwoofer and the main speakers is adjusted, you can adjust the volume of your whole sound system by using only the amplifier's volume control. However, if you change the main speakers NS-M40 to others, you must make this adjustment again.
- For adjusting the **VOLUME** control and the **HIGH CUT** control, refer to "FREQUENCY CHARACTERISTICS" on the next page.

Note about setting the HIGH CUT control

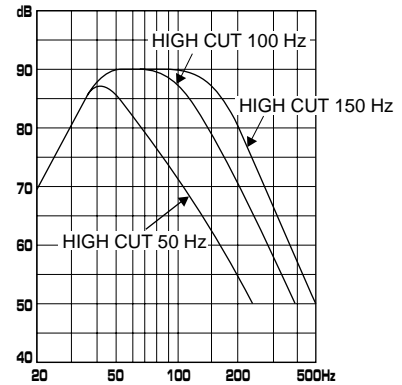
This system is designed so that the optimum tone balance between the subwoofer and the main speakers is obtained when this control is set at the point of 80 Hz. However, the tone balance may change depending on the room size, the distance from the subwoofer to the main speakers, and so on. So, if you prefer, turn the **HIGH CUT** control to set it to a position where a better tone balance is obtained.

■ FREQUENCY CHARACTERISTICS

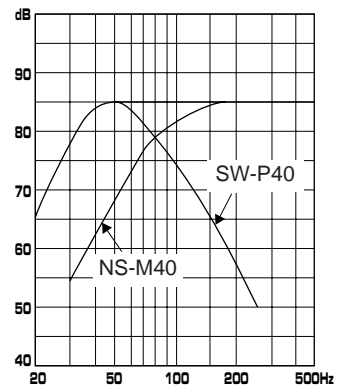
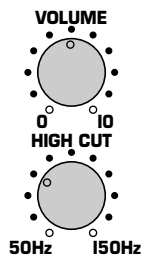
Adjustment of the **VOLUME** control and the **HIGH CUT** control should be changed depending on the room size, the distance from the subwoofer to the main speakers, sources, etc.

Following figures show the optimum adjustment of each control and the frequency characteristics when this subwoofer is combined with NS-M40.

Frequency characteristics of this subwoofer (SW-P40)



- When combined with NS-M40



ACTIVE SERVO TECHNOLOGY

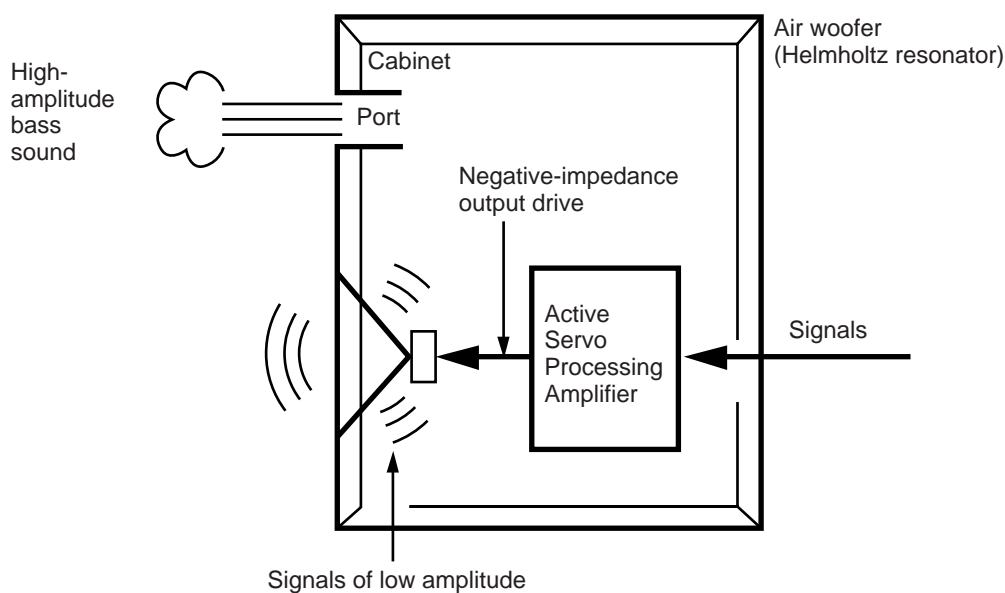
The theory of Active Servo Technology is based upon two major factors, the Helmholtz resonator and negative-impedance drive. Active Servo Processing speakers reproduce the bass frequencies through an "air woofer", which is a port or opening in the speaker's cabinet. This opening is used instead of, and performs the functions of, a woofer in a conventionally designed speaker system. Thus, signals of low amplitude within the cabinet can, according to the Helmholtz resonance theory, be output from this opening as waves of great amplitude if the design is such that the size of the opening and the volume of the cabinet are in the correct proportion to satisfy a certain ratio.

In order to accomplish this, moreover, the amplitudes within the cabinet must be both precise and of sufficient power because these amplitudes must overcome the "load" presented by the air that exists within the cabinet.

Thus it is this problem that is resolved through the employment of a design in which the amplifier functions to supply special signals. If the electrical resistance of the voice coil could be reduced to zero, the movement of the speaker unit would become linear with respect to signal voltage, and, to accomplish this, a special negative-impedance output-drive amplifier for subtracting output impedance of the amplifier is used.

By employing negative-impedance drive circuits, the amplifier is able to generate precise, low-amplitude low-frequency waves with superior damping characteristics, and these waves are then radiated from the cabinet opening as high-amplitude signals. The system can, therefore, by employing the negative-impedance output drive amplifier and a speaker cabinet with the Helmholtz resonator, reproduce an extremely wide range of frequencies with amazing sound quality and less distortion.

The features described above, then, are combined to be the fundamental structure of the Active Servo Technology.



REMOVING THE FRONT GRILLE (for NS-M40 and SW-P40 only)

The front grille is fastened to the enclosure at four points, and can be removed if desired. To remove the grille, first hold the bottom of the grille and unfasten the lower part of the grille by pulling it gently, and then hold both sides of the grille and slowly pull straight away from the speaker. To reattach, line up the four pegs on the inside surface of the grille with the four corresponding holes on the speaker and push gently.

Note

When the grille is removed, take care not to touch the speaker unit with your hands or to exert excessive force with tools.

TROUBLESHOOTING (for SW-P40)

If the unit fails to operate normally, check the following points to determine whether the fault can be corrected by the simple measures suggested. If it cannot be corrected, or if the fault is not listed in the SYMPTOM column, disconnect the power cord and contact your authorized YAMAHA dealer or service center for help.

SYMPTOM	CAUSE	REMEDY
Power is not supplied even though the POWER switch is ON.	The power plug is not securely connected.	Connect it securely.
No sound.	The VOLUME control is set to 0.	Turn the VOLUME control to right.
	Speaker cables are not connected securely.	Connect them securely.
Sound level is too low.	Speaker cables are connected incorrectly.	Connect them correctly, that is to say L (left) to L, R (right) to R, "+" to "+" and "-" to "-".
	A source sound with few bass frequencies is played.	Play a source sound with bass frequencies. Set the HIGH CUT control to a higher position. (Turn the knob to right.)
	It is influenced by standing waves.	Re-position the subwoofer or break up the parallel surface by placing bookshelves etc. along the walls.
Automatic power ON function will not work.	The POWER switch is turned off.	Turn the POWER switch on.
	The level of input signal is too low.	Increase the level of input signal on the source.
Automatic power OFF function will work unexpectedly.	The level of input signal is too low.	Increase the level of input signal on the source.
Automatic power ON function will work unexpectedly.	An influence of noise generated from external digital equipment etc.	Move this unit farther away from such equipment and/or change the position of connected speaker cables. Otherwise, do not use the automatic power ON function of this unit.

SPECIFICATIONS

<NS-M40, NS-C40, NS-E40>

Type
 <NS-M40>2-Way Acoustic-Suspension Speaker System
 Magnetically-shielded type
 <NS-C40>Full range Acoustic-Suspension
 Speaker System
 Magnetically-shielded type
 <NS-E40>Full range Acoustic-Suspension
 Speaker System

Speaker Unit
 <NS-M40>14 cm (5-1/2") cone woofer
 19 mm (3/4") semidome tweeter
 <NS-C40>10 cm (3-15/16") cone speaker x 2
 <NS-E40>10 cm (3-15/16") cone speaker

Nominal Input Power
 <NS-M40>40W
 <NS-C40>50W
 <NS-E40>25W

Maximum Input Power
 <NS-M40>120W
 <NS-C40>150W
 <NS-E40>80W

Impedance6 ohms

Frequency Response
 <NS-M40>65 Hz–20 kHz
 <NS-C40>65 Hz–20 kHz
 <NS-E40>70 Hz–20 kHz

Sensitivity90 dB/W·m

Dimensions (W x H x D)
 <NS-M40>171 mm x 281 mm x 188.5 mm
 (6-3/4" x 11-1/16" x 7-7/16")
 <NS-C40>436 mm x 131 mm x 210.5 mm
 (17-3/16" x 5-3/16" x 8-5/16")
 <NS-E40>171 mm x 281 mm x 112 mm
 (6-3/4" x 11-1/16" x 4-7/16")

Weight
 <NS-M40>2.5 kg (5 lbs. 8 oz.) x 2
 <NS-C40>3.2 kg (7 lbs. 1 oz.)
 <NS-E40>1.6 kg (3 lbs. 8 oz.) x 2

<SW-P40>

TypeActive Servo Processing Subwoofer System
 Magnetically-shielded type

Speaker Unit20 cm (7-7/8") cone woofer

Amplifier Output50W/5 ohms

High-Cut Filter50 Hz–150 Hz (–24 dB/oct.)

Impedance
 INPUT14.7 k-ohms
 INPUT210 k-ohms

Frequency Response30 Hz–200 Hz (–10 dB)

Power Supply
 Europe modelAC 230V, 50 Hz
 Australia modelAC 240V, 50 Hz
 General modelAC 110/120/220/240V, 50/60 Hz

Power Consumption50W

Dimensions (W x H x D)320 mm x 400 mm x 344 mm
 (12-5/8" x 15-3/4" x 13-9/16")

Weight12.2 kg (26 lbs. 13 oz.)

* Please note that all specifications are subject to change without notice.

YAMAHA

YAMAHA ELECTRONICS CORPORATION, USA 6660 ORANGETHORPE AVE., BUENA PARK, CALIF. 90620, U.S.A.
YAMAHA CANADA MUSIC LTD. 135 MILNER AVE., SCARBOROUGH, ONTARIO M1S 3R1, CANADA
YAMAHA ELECTRONIK EUROPA G.m.b.H. SIEMENSSTR. 22-34, 25462 RELINGEN BEI HAMBURG, F.R. OF GERMANY
YAMAHA ELECTRONIQUE FRANCE S.A. RUE AMBROISE CROIZAT BP70 CROISSY-BEAUBOURG 77312 MARNE-LA-VALLEE CEDEX02, FRANCE
YAMAHA ELECTRONICS (UK) LTD. YAMAHA HOUSE, 200 RICKMANSWORTH ROAD WATFORD, HERTS WD1 7JS, ENGLAND
YAMAHA SCANDINAVIA A.B. J A WETTERGRENS GATA 1, BOX 30053, 400 43 VÄSTRA FRÖLUNDA, SWEDEN
YAMAHA MUSIC AUSTRALIA PTY, LTD. 17-33 MARKET ST., SOUTH MELBOURNE, 3205 VIC., AUSTRALIA

YAMAHA CORPORATION

VV18440